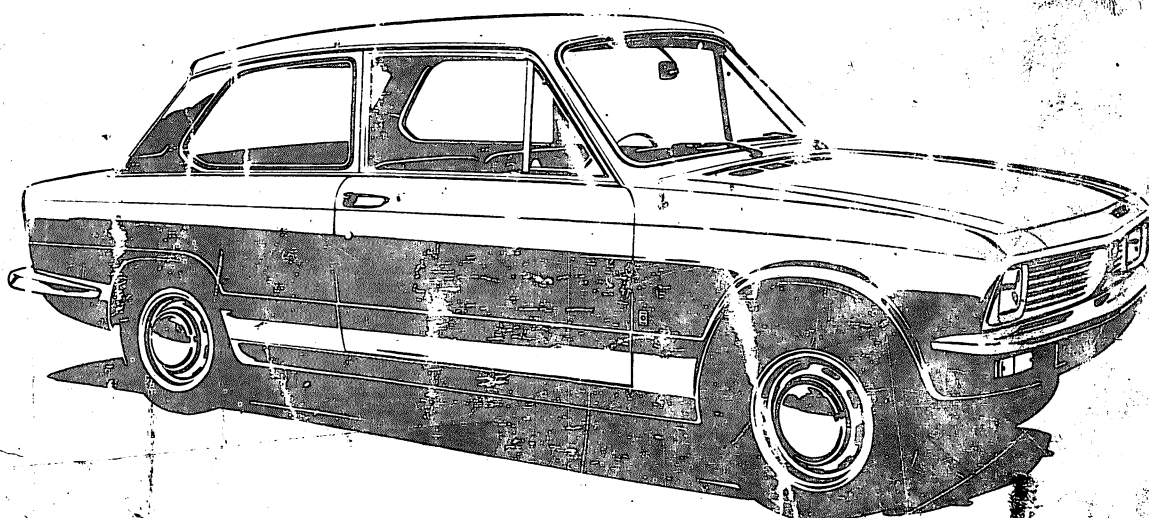




Triumph Toledo 1971/72 Parts Catalogue

Part No. 519932/A
May 1973



45

GROUP INDEX

Triumph Toledo 1971/72 Parts Catalogue

Commission Numbers

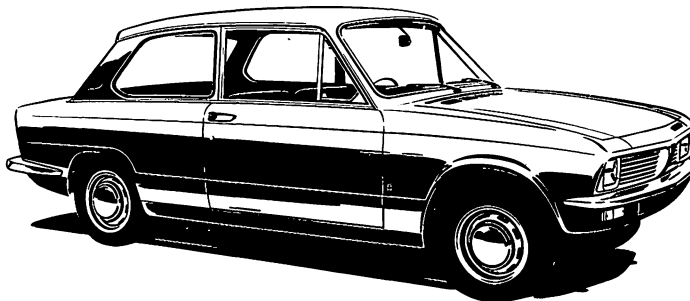
1300cc Engine- 2 Door RHS	A.D.G.I. and future
1300cc Engine 4 Door RHS	
Short Bumpers	A.D.K.I. and future
1300cc Engine 4 Door RHS	
Wrap round Bumpers	A.D.F.I and future
1500cc Engine	
Single Carb 2 Door LHS	A.D.M.I. and future
1500cc Engine	
Twin Carb 4 Door LHS	A.D.S.I. and future

ENGINE	07-04 to 07-37
CLUTCH	07-39 & 07-40
GEARBOX	07-43 & 07-48
ENGINE MOUNTING	07-51
FRONT SUB-FRAME	07-53
FRONT SUSPENSION	07-54 & 07-56
FRONT SKID PLATE	07-56
REAR AXLE	07-59 to 07-62
REAR SUSPENSION	07-63
PROPELLOR SHAFT	07-64 & 07-65
ROAD WHEELS	07-64 & 07-65
STEERING	07-67 & 07-68
ACCELERATION CONTROL	07-71 & 07-72
CLUTCH & BRAKE PEDAL	07-73 & 07-74
MASTER CYLINDERS	07-75 to 07-85
HANDBRAKE	07-86
BRAKES	08-04 to 08-07
HYDRAULIC PIPES	08-08 to 08-12
PETROL SYSTEM	08-13
EXHAUST SYSTEM	08-14 to 08-16
RADIATOR	08-17 & 08-18
PUBLICATIONS AND TOOLS	08-19
ELECTRICAL EQUIPMENT	08-21 to 08-43
BODY AND FITTINGS	08-46 to 09-26
MISC. BODY DETAILS	09-29 & 09-30



**Parts and Accessories
Jaguar and Rover Triumph**

Fletchamstead Highway Coventry CV4 9DB England



Introduction

This Graphic Catalogue which is to be used in conjunction with the P.C.M.I. transparency has been devised to enable its users, irrespective of nationality, to identify the parts required with the minimum of effort. To do this the items are part numbered on the illustration and where more than one is required the quantity is inserted in brackets behind the part number e.g. 137201(2)

Where major assemblies are concerned in some cases it is not practical to draw the complete assembly and when this occurs the assembly part number is inserted in the space at the foot of the illustration which is reserved for notes.

With this system, as no separate list of parts is supplied, the part description will be found only in the numerical index.

The catalogue will not be subject to amendment but will be updated and re-issued approximately every twelve months

Caution

When replacements are made it is of the utmost importance that parts of genuine Triumph Motor Co. Ltd. manufacture should be used. This ensures that the service given by the original part will be maintained by the replacement. Remember the genuine part carries with it a guarantee.

The experience gained by the manufacturers ensures that the highest quality material is used and the strictest accuracy maintained in manufacture.

Coding Procedure

Exterior paint, Interior trim

In order to assist all purchasers of Spare Parts in which paint or trim details are involved, the following coding system has been devised to cover the basic colours and their varying shades.

A. Basic colour

There are Nine Basic Colours which have been allocated the following numbers:—

- | | | |
|----|----|----|
| 1. | 4. | 7. |
| 2. | 5. | 8. |
| 3. | 6. | 9. |

B. Shades of colour

To cover Shades of the above Colours, a second figure commencing at '1' is used as a prefix to the above numbers, each shade having a different prefix number.

The current range of codes is as follows:—

Basic Colour	1st Shade	2nd Shade	3rd Shade	4th Shade
Black	11 Black			
Red	12 Matador Red	32 Signal		
Brown	23 Sienna	33 New Tan		
Yellow	54 Saffron			
Green	55 Laurel			
Blue	26 Wedgwood	56 Royal	66 Valencia	96 Imperial
Purple	17 Damson	27 Shadow Blue		
Grey	68 Slate			
White	19 White			

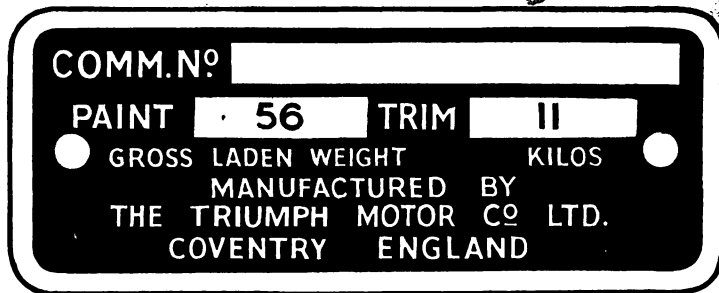
C. Trim materials

The following Prefix Letters are added to the colour code to indicate the main trim material used.

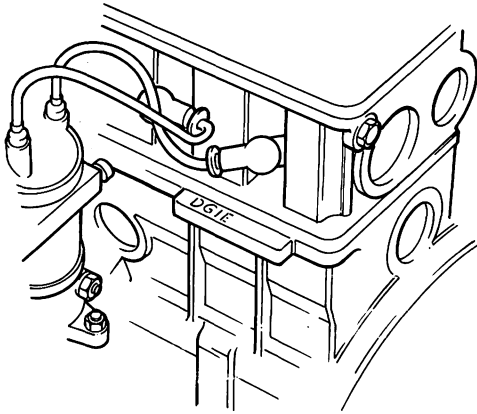
Leathercloth	No Prefix Letter
Leather	Prefix Letter 'H'
Nylon Broad Cord	Prefix Letter 'C'
Nylon Fine Cord	Prefix Letter 'N'

D. Recording

The paint and trim colours and materials used are recorded in the spaces provided on the Commission No. Plate as shown below, e.g. 56 denotes Royal Blue paint and 11 Black Leathercloth trim.

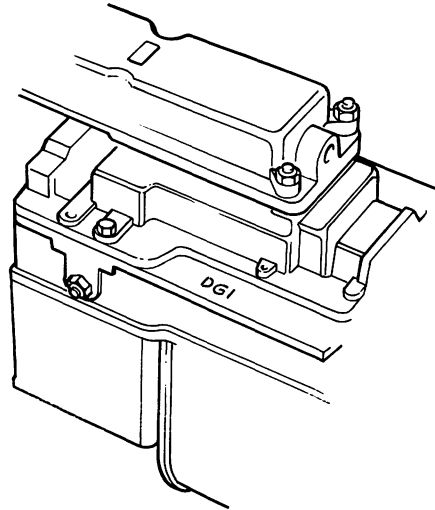


Unit serial numbers



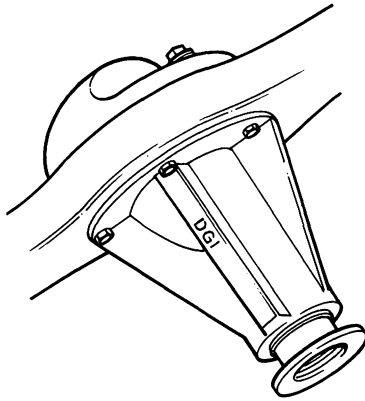
ENGINE SERIAL NUMBER

Commencing at DG1E for 1300cc engines, DM1E for 1500cc DS1E (1500cc T/C) engines, this number is stamped on a flange on the Left Hand side of the cylinder block, adjacent to the distributor.



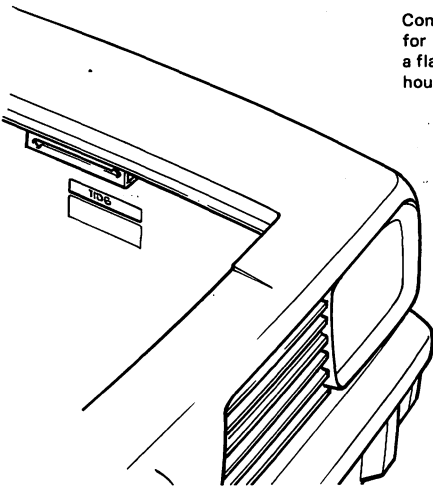
GEARBOX SERIAL NUMBER

Commencing at DG1, this number is stamped on the Right Hand side of the gearbox casing.



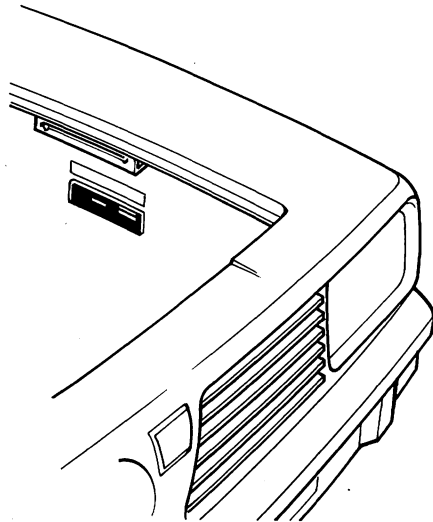
REAR AXLE SERIAL NUMBER

Commencing at DG1 for 1300cc cars and DM1 for 1500cc cars this number is stamped on a flange on the underside of the hypoid housing.



BODY SERIAL NUMBER

Commencing at T1DG (Trimmed Body), 1DG (Body in White) for 2 door models and T1DK (Trimmed Body), 1DK (Body in White) for 4 door models, this number is stamped on a plate rivetted to the Left Hand front wing valance.

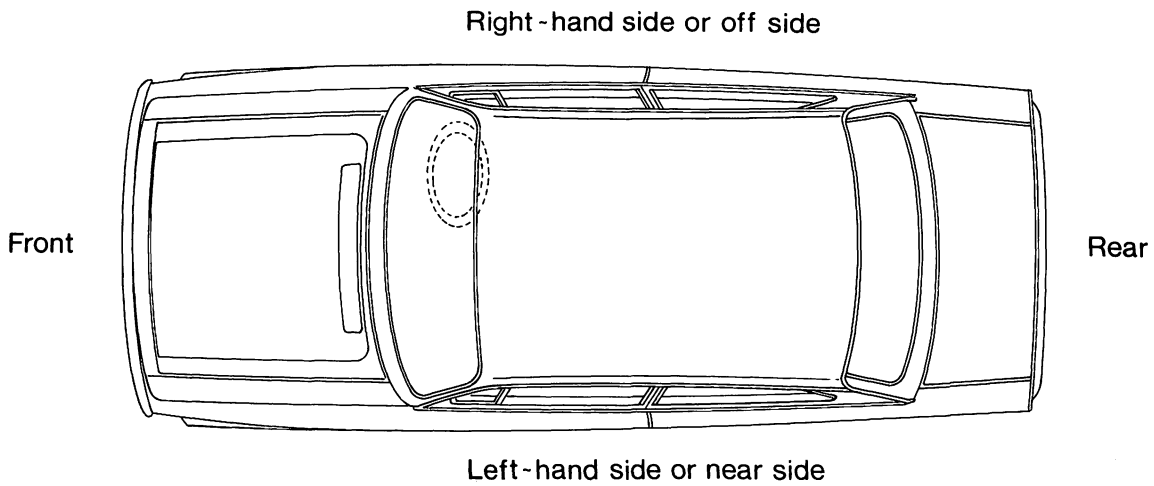


COMMISSION NUMBER

This number is stamped on a plate rivetted to the front wing valance, immediately below the Body Serial Number Plate. For details of Commission Numbers and Suffix Letters see the following page.

Commission numbers

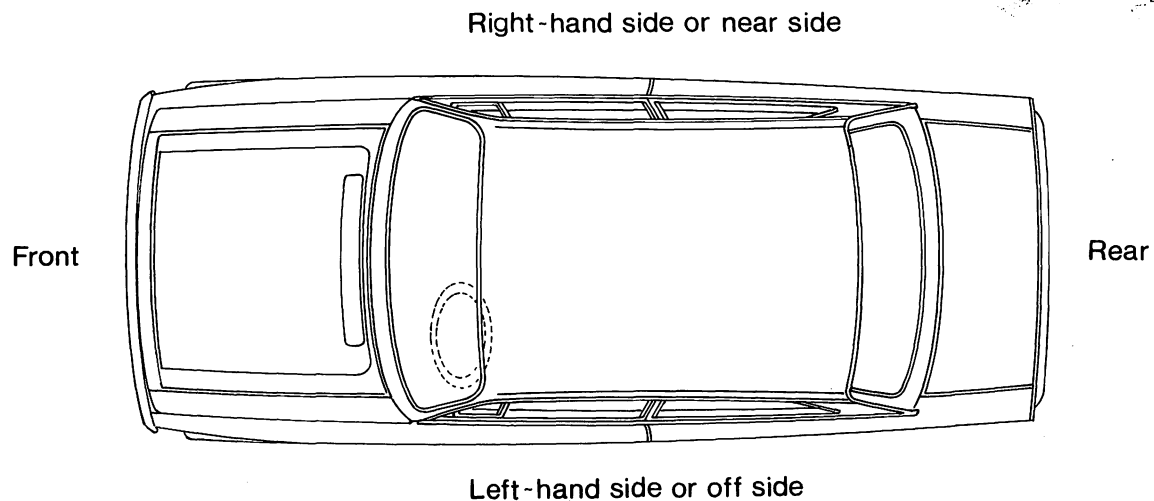
Right-hand steering



Commission numbers and suffix letters

1300cc Engine – 2 Door R.H.S.	A.D.G.	D.L.
1300cc Engine – 4 Door R.H.S. (Short Bumpers)	A.D.K.	D.L.
1300cc Engine – 4 Door R.H.S. (Wrap-Round Bumpers)	A.D.F.	D.L.
1500cc Engine (Single Carb.) – 2 Door L.H.S.	A.D.M.	L.D.L.
1500cc Engine (Single Carb.) – 4 Door L.H.S.	A.D.P.	L.D.L.
1500cc Engine (Twin Carb.) – 4 Door L.H.S.	A.D.S.	L.D.L.

Left-hand steering



ALPHABETICAL INDEX

Description	Ref No.	Description	Ref No.
1300cc ENGINE	7-04 to 7-18	1300cc ENGINE - continued	
Air Cleaner	7-17	Front Sealing Block	7-04
Air Cleaner Element	7-17	Inlet Manifold	7-13
Alternator	7-18	Inlet Valve	7-06,7-07
Alternator Adjusting Link	7-18	Lifting Eye	7-06,7-07
Alternator Mounting	7-18	Main Bearing	7-08
Big End Bearing	7-08	Manifolds	7-13
Camshaft	7-09	Manifold Clamp	7-13
Camshaft Chainwheel	7-09	Manifold Gasket	7-13
Carburettor Assembly	7-15	Manifold Heater Pipes	7-13
Carburettor Float	7-16	Oil Filler Cap	7-06,7-07
Carburettor Float Chamber	7-16	Oil Filter	7-12
Carburettor Float Needle	7-16	Oil Pressure Indicator Switch	7-04
Carburettor Jet	7-16	Oil Pressure Relief Valve	7-04
Carburettor Jet Bearing	7-16	Oil Pump	7-12
Carburettor Jet Needle	7-16	Oil Pump Drive Shaft	7-09
Carburettor Pipes	7-15	Oil Sump	7-05
Carburettor Suction Chamber	7-15	Petrol Pump	7-14
Closed Circuit Breather	7-13	Piston	7-08
Connecting Rod	7-08	Piston Ring	7-08
Connecting Rod Bearing	7-08	Push Rod	7-06,7-07
Constant Pinion Shaft Bush	7-08	Rear Engine Plate	7-05
Conversion Gasket Set	7-04	Rear Oil Seal	7-05
Crankshaft	7-08	Rear Oil Seal Housing	7-05
Crankshaft Bearings	7-08	Rocker Cover	7-06,7-07
Crankshaft Chainwheel	7-08	Rocker Pedestal	7-06,7-07
Crankshaft Pulley	7-08	Rocker Shaft	7-06,7-07
Cylinder Block	7-04	Rocker Spring	7-06,7-07
Cylinder Head	7-06,7-07	Temperature Transmitter	7-11
Cylinder Head Gasket	7-06,7-07	Thermostat	7-11
Cylinder Liner	7-04	Timing Chain	7-09
Decarbonising Gasket Set	7-04	Timing Chain Tensioner	7-09
Distributor and Oil Pump Drive	7-09	Timing Cover	7-09
Distributor Pedestal	7-09	Timing Cover Oil Seal	7-09
Dipstick	7-04	Valves	7-06,7-07
Dipstick Tube	7-04	Valve Collar	7-06,7-07
Engine Unit	7-04	Valve Rocker	7-06,7-07
Exhaust Manifold	7-13	Valve Spring	7-06,7-07
Exhaust Valve	7-06,7-07	Valve Tappet	7-06,7-07
Fan	7-11	Water Drain Tap	7-04
Fan Belt	7-10	Water Elbow	7-11
Fan Pulley	7-10	Water Pump	7-10,7-11
Flywheel	7-08	Water Pump Gasket	7-11
Front Engine Plate	7-05	Air Cleaner(Single Carb.)	7-35

ALPHABETICAL INDEX

Description	Ref No.	Description	Ref No.
1500cc ENGINE	7-19 to 7-37	1500cc ENGINE continued	
Air Cleaner (Twin Carburettor)	7-36	Closed Circuit Breather	7-28
Air Cleaner Element (Single Carburettor)	7-35	Connecting Rod	7-23
Air Cleaner Element (Twin Carburettor)	7-36	Connecting Rod Bearing	7-23
Alternator	7-37	Constant Pinion Shaft Bush	7-23
Alternator Adjusting Link	7-37	Conversion Gasket Set	7-19
Alternator Mounting	7-37	Crankshaft	7-23
Big End Bearing	7-23	Crankshaft Bearing	7-23
Camshaft	7-24	Crankshaft Chainwheel	7-23
Camshaft Bearing	7-24	Crankshaft Pulley	7-23
Camshaft Chainwheel	7-24	Cylinder Block	7-19
Carburettor Assembly (Single Carburettor)	7-31	Cylinder Head	7-21,7-22
Carburettor Assembly (Twin Carburettor)	7-33	Cylinder Head Gasket	7-21,7-22
Carburettor Float (Single Carburettor)	7-32	Cylinder Liner	7-19
Carburettor Float (Twin Carburettor)	7-34	Decarbonising Gasket Set	7-19
Carburettor Float Chamber (Single Carburettor)	7-32	Distributor and Oil Pump Drive	7-24
Carburettor Float Chamber (Twin Carburettor)	7-34	Distributor Pedestal	7-24
Carburettor Float Needle (Single Carburettor)	7-32	Dipstick	7-19
Carburettor Float Needle (Twin Carburettor)	7-34	Dipstick Tube	7-19
Carburettor Jet (Single Carburettor)	7-32	Emission Breathing Circuit	7-28
Carburettor Jet (Twin Carburettor)	7-34	Engine Unit	7-19
Carburettor Jet Bearing (Single Carburettor)	7-32	Exhaust Manifold	7-28
Carburettor Jet Bearing (Twin Carburettor)	7-34	Exhaust Valve	7-21,7-22
Carburettor Pipes (Single Carburettor)	7-31	Fan	7-26
Carburettor Pipes (Twin Carburettor)	7-33	Fan Belt	7-25
Carburettor Suction Chamber (Single Carburettor)	7-32	Fan Pulley	7-25
Carburettor Suction Chamber (Twin Carburettor)	7-34	Flywheel	7-23
		Front Engine Plate	7-20
		Front Sealing Block	7-19
		Inlet Manifold	7-28
		Inlet Valve	7-21,7-22
		Lifting Eye	7-21,7-22
		Main Bearing	7-23
		Manifolds	7-28
		Manifold Clamp	7-28
		Manifold Gasket	7-28
		Manifold Heater Pipes	7-28
		Oil Filler Cap	7-21,7-22
		Oil Filter	7-27
		Oil Pressure Indicator Switch	7-19
		Oil Pressure Relief Valve	7-19
		Oil Pump	7-27
		Oil Pump Drive Shaft	7-24
		Oil Sump	7-20
		Petrol Pump (Single Carburettor)	7-29

ALPHABETICAL INDEX

Description	Ref No.	Description	Ref
1500cc ENGINE continued		GEARBOX continued	
Petrol Pump (Twin Carburettor)	7-30	Clutch Disengaging Lever	7-44
Piston	7-23	Clutch Disengaging Lever Bush	7-44
Piston Rings	7-23	Clutch Housing and Front End Cover	7-44
Push Rod	7-21,7-22	Clutch Housing Cover Attachment Details	7-44
Rear Engine Plate	7-20	Clutch Throw-out Bearing	7-44
Rear Oil Seal	7-20	Constant Pinion Shaft	7-47
Rear Oil Seal Housing	7-20	Countershaft	7-47
Rocker Cover	7-21,7-22	Countershaft Gear Cluster	7-47
Rocker Pedestal	7-21,7-22	Driving Flange	7-46
Rocker Shaft	7-21,7-22	Extension	7-43
Rocker Spring	7-21,7-22	Extension Attachment Details	7-43
Temperature Transmitter	7-26	Extension Bearing	7-43
Thermostat	7-26	Extension Oil Seal	7-43
Timing Chain	7-24	Front End Cover	7-44
Timing Chain Tensioner	7-24	Gearbox Assembly	7-43
Timing Cover	7-24	Gearbox Attachment Details	7-44
Timing Cover Oil Seal	7-24	Mainshaft	7-46
Valves	7-21,7-22	Mainshaft Centre Bearing	7-46
Valve Collar	7-21,7-22	Mainshaft Gears	7-46
Valve Rocker	7-21,7-22	Reverse Actuator	7-45
Valve Spring	7-21,7-22	Reverse Idler Gear	7-47
Valve Tappet	7-21,7-22	Selector	7-45
Water Drain Tap	7-19	Selector Fork	7-45
Water Elbow	7-26	Selector Shaft	7-45
Water Pump	7-25,7-26	Selector Shaft Plunger	7-45
Water Pump Gasket	7-26	Slave Cylinder Boss	7-43
CLUTCH (1300cc)	7-39	Speedo Driven Gear	7-43
Cover	7-39	Speedo Driving Gear	7-46
Cover Spring Diaphragm	7-39	Synchro and Operating Sleeve	7-46
Driven Plate	7-39	Top Cover Assembly	7-45
Slave Cylinder	7-39	GEAR SHIFT MECHANISM	7-48
Slave Cylinder Service Kit	7-39	Gear Lever	7-48
CLUTCH (1500cc)	7-40	Hand Lever	7-48
Cover	7-40	Hand Lever Knob	7-48
Cover Spring Diaphragm	7-40	Operating Shaft	7-48
Driven Plate	7-40	Top Cover Extension	7-48
Slave Cylinder	7-40	ENGINE MOUNTING	7-51
Slave Cylinder Service Kit	7-40	FRONT END SUB-FRAME	7-53
GEARBOX	7-43 to 7-47	Attachment Details	7-53
Case	7-43		

ALPHABETICAL INDEX

Description	Ref No.	Description	Ref No.
FRONT END SUB-FRAME continued		REAR AXLE continued	
Mounting Bracket	7-53	Pinion Flange	7-61,7-62
Mounting Rubber	7-53		
FRONT SUSPENSION	7-54,7-55	REAR SUSPENSION	7-63
Damper	7-54	Axle Bump Rubber	7-63
Damper Mounting Plate	7-54	Damper	7-63
Front Suspension Unit	7-54	Lower Link & Bush	7-63
Fulcrum Shaft	7-54	Road Spring	7-63
Hub	7-55	Upper Link & Bush	7-63
Hub Bearing	7-55		
Lower Fulcrum	7-55	PROPELLOR SHAFT	7-64,7-65
Lower Wishbone	7-55	Front Propellor Shaft	7-64,7-65
Road Spring	7-54	Front Propellor Shaft	7-64,7-65
Road Spring and Damper	7-54	Bearing	
Strut	7-55	Front Propellor Shaft	7-64,7-65
Stub Axle	7-55	Bearing Mounting Bracket	
Tie Rod Lever and Ball Joint	7-55	Front Propellor Shaft	7-64,7-65
Assembly		Guard Strap	
Upper Wishbone Arm and Bush	7-54	Rear Propellor Shaft	7-64,7-65
Upper Wishbone Ball Joint	7-54	Rear Propellor Shaft Guard	7-64,7-65
Vertical Link		Strap	
		Unit Package	7-64,7-65
FRONT SKID PLATE	7-56	ROAD WHEELS	7-64,7-65
		Balance Weight	7-64,7-65
REAR AXLE	7-59 to 7-61	Nave Plate	7-64,7-65
Axle Assembly (1300cc)	7-59	Nut	7-64,7-65
Axle Assembly (1500cc)	7-60		
Axle Shaft (1300cc)	7-59	STEERING	7-67,7-68
Axle Shaft (1500cc)	7-60	Flexible Joint	7-67
Axle Shaft Bearing (1300cc)	7-59	Inner Ball Joint Assembly	7-68
Axle Shaft Bearing (1500cc)	7-60	Lower Steering Column	7-67
Casing (1300cc)	7-59	Mounting Details	7-68
Casing (1500cc)	7-60	Outer Ball Joint Assy	7-68
Crownwheel & Pinion	7-61,7-62	Rack & Pinion Steering	7-68
Differential Bearing	7-61,7-62	Unit	
Differential Casing	7-61,7-62	Steering Column Lock	7-67
Differential Gear	7-61,7-62	Steering Wheel	7-67
Differential Pinion	7-61,7-62	Universal Joint	7-67
Hub Assembly(1300cc)	7-59	Upper Steering Column	7-67
Hub Assembly(1500cc)	7-60	Upper Steering Column Outer	7-67
Hypoid Housing Attach.	7-59,7-60	Housing	
Hypoid Housing Attach. Details	7-59,7-60		
Oil Drain Plug	7-59,7-60	ACCELERATION CONTROL(Single	7-71
Pinion Bearing	7-61,7-62	Carb.)	

ALPHABETICAL INDEX

Description	Ref.No.	Description	Ref.No.
ACCELERATION CONTROL (Single Carburettor) continued		BRAKES	08-04 to 08-07
Acceleration control (Twin Carburettor)	7-72	Front Brake Assembly	08-04
Cable (Single Carburettor)	7-71	Front Brake Caliper Assembly	08-06
Cable (Twin Carburettor)	7-72	Front Brake Caliper Dirt Shield	08-06
Pedal	7-71	Front Brake Caliper Friction Disc	08-06
Pedal Mounting Bracket	7-71	Front Brake Caliper Lining Pad	08-06
Pedal Return spring	7-71	Front Brake Caliper Service Kit	08-06
Relay lever	7-71	Front Brake Drum	08-04
Relay Lever Link	7-71	Front Brake Shoe	08-04
Relay Lever Mounting Bracket	7-71	Front Brake Wheel	08-04
Relay Lever Return Spring	7-71	Rear Brake Assembly	08-05,08-07
CLUTCH AND BRAKE PEDALS	7-73,7-74	Rear Brake Adjuster	08-05,08-07
Brake Pedal	7-73,7-74	Rear Brake Drum	08-05,08-07
Brake Pedal Pad	7-73,7-74	Rear Brake Handbrake Lever	08-05,08-07
Brake Pedal Support Bracket	7-73,7-74	Rear Brake Shoe	08-05,08-07
Clutch Pedal	7-73,7-74	Rear Brake Wheel Cylinder	08-05,08-07
Clutch Pedal Pad	7-73,7-74	HYDRAULIC PIPES	08-08 to 08-12
Clutch Pedal Support Bracket	7-73,7-74	Clutch Pipes	8-08,8-09 8-10
Pedal Return Spring	7-73,7-74	Front Brake Pipes	8-08,8-09 8-10
MASTER CYLINDERS	7-75 to 7-84	Rear Brake Pipes	8-11,8-12
Brake Master Cylinder (Non Servo, Single line)	7-76,7-77 7-78	PETROL SYSTEM	8-13
Brake Master Cylinder (Non Servo, Tandem Line)	7-83	Breather Hose	8-13
Brake Master Cylinder (Servo Assisted, Single Line)	7-84	Filler Pipe	8-13
Brake Master Cylinder (Servo Assisted, Tandem Line)	7-82	Petrol Filler Cap	8-13
Clutch Master Cylinder	7-75	Petrol Tank	8-13
Servo Conversion Kit	7-85	Petrol Tank Gauge Unit	8-13
Servo Unit	7-79,7-81	Pipes	8-13
HANDBRAKE	7-86	EXHAUST SYSTEM	08-14 to 08-16
Cable	7-86	Flexible Mounting	8-14,8-15 8-16
Compensator	7-86	Front Pipe (1300cc)	8-14
Compensator Buffer	7-86	Front Pipe (1500cc)	08-15,08-16
Compensator Link Cable	7-86	Silencer (1300cc)	8-14
Fork end	7-86	Silencer (1500cc)	8-15,8-16
Lever	7-86	Tail Pipe (1300cc)	8-14
Pawl	7-86	Tail Pipe (1500cc)	8-15,8-16
Rod	7-86		

ALPHABETICAL INDEX

Description	Ref.No.	Description	Ref.No.
RADIATOR (1300cc)	08-17	ELECTRICAL EQUIPMENT (contd.)	
Block	08-17	Distributor Automatic	08-22,08-23
Drain Tap	08-17	Advance Weights	08-24,08-25
Filler Cap	08-17	Distributor Cam	08-22 to 08-25
Hose	08-17	Distributor Condenser	08-22 to 08-25
Mounting Brackets	08-17	Distributor Contact Set	08-22 to 08-25
Overflow Tank	08-17	Distributor Cover	08-22 to 08-25
		Distributor Vacuum Unit	08-22 to 08-25
RADIATOR (1500cc)	08-18	Dual Brake Warning Light	08-40
Block	08-18	Dual Brake Warning Light	08-43
Drain Tap	08-18	Harness	
Filler Cap	08-18	Engine Bay Harness	08-43
Hose	08-18	Facia Harness	08-43
Mounting Brackets	08-18	Flasher Unit	08-30
Overflow Tank	08-18	Flasher/Side Lamp Front	08-37
		Flasher/Side Lamp Bulb	08-37
PUBLICATIONS AND TOOLS	08-19	Flasher/Side Lamp Lens	08-37
Brake Fluid	08-19	Front Side/Flasher Lamp	08-37
Driver's Handbook	08-19	Fuse	08-41
Jack	08-19	Fuse Box	08-41
Maintainance Voucher Book	08-19	Harness Attachment Details	08-43
Repair Time Schedule	08-19	Harness Connector Block	08-43
Service Manual	08-19	Hazard Warning Switch	08-40
Tools	08-19	Hazard Warning Unit	08-30
		Headlamp	08-35
ELECTRICAL EQUIPMENT	08-21 to 08-43	Headlamp Bulb	08-35
Alternator	08-26	Headlamp Light Unit	08-35
Alternator Brush Box	08-26	Headlamp/Side/Flasher Horn	08-30
Alternator Fan	08-26	Push Switch	
Alternator Pulley	08-26	Horn	08-30
Alternator Rectifier	08-26	Horn Push/Headlamp/Side	08-30
Alternator Regulator	08-26	Flasher Switch	
Alternator Rotor	08-26	Ignition coil	08-21
Alternator Stator	08-26	Ignition Leads	08-21
Ballast Resistor	08-21	Ignition/Starter Switch	08-30
Battery	08-42	Master Lighting Switch	08-40
Battery Base Pad	08-42	Master Light Switch Knob	08-40
Battery Leads	08-42	Petrol Gauge	08-40
Battery Rod	08-42	Rear Number Plate Lamp	08-39
Battery Strap	08-42	Rear Number Plate Lamp Bulb	08-39
Body Harness	08-43	Rear Number Plate Lamp Lens	08-39
Choke Control Cable	08-40	Roof Lamp Assembly	08-39
Courtesy Light Switch	08-41	Roof Lamp Bulb	08-39
Distributor	08-22 to 08-25	Side Flasher/Headlamp/Horn	08-30
Distributor Automatic	08-22 to 08-25	Push Switch	
Advance Springs		Side/Flasher Lamp, Front	08-37

ALPHABETICAL INDEX

Description	Ref.No.	Description	Ref.No.
ELECTRICAL EQUIPMENT (contd.)		BODY AND FITTINGS (contd.)	
Side/Flasher Lamp Bulb	08-37	'A' Post Outer Lower Panel	08-51,08-52
Side/Flasher Lamp Lens	08-37	Air Duct Assembly	08-48
Sparking Plug	08-21	Air Outlet Duct	08-84
Speedometer	08-40	'B' post Lower Panel	08-51,08-52
Speedometer Cable	08-40	Backlight Glass	08-78
Starter Motor (Normal)	08-27,08-28	Backlight Surround Finisher	08-78
Starter Motor (Cold Start)	08-29	Backlight Weatherstrip	08-78
Starter Motor Armature	08-27,08-28	Body Complete,Painted and Trimmed	08-46,08-47
Starter Motor Armature(Cold Start)	08-29	Body Mouldings	08-82,08-83
Starter Motor Brush Set	08-27,08-28	Body Shell (2 door)	08-46
Starter Motor Brush Set(Cold Start)	08-29	Body Shell (4 door)	08-47
Starter Motor Field Coil	08-27,08-28	Bonnet Assembly	08-55
Starter Motor Field Coil (Cold Start)	08-29	Bonnet Buffer	08-55
Starter Motor Solenoid	08-27,08-28	Bonnet Catch Plate	08-55
Stop Light Switch	08-41	Bonnet Hinge	08-55
Stop/Tail/Flasher/Reflex Lamp	08-39	Bonnet Release Cable	08-55
Stop/Tail/Flasher/Reflex Lamp Bulb	08-39	Bonnet Seal	08-55
Stop/Tail/Flasher/Reflex Lamp Lens	08-39	Bonnet Stay Rod	08-55
Temperature Gauge	08-40	Bonnet Striker Pin	08-55
Trunk Light	08-39	Bumper	08-79,08-80
Voltage Stabilizer	08-40		08-81
Windscreen Washer Bottle(Electric)	08-34	Bumper Underider	08-79
Windscreen Washer Bottle (Manual)	08-33	Brake Hose Support Bracket	08-48
Windscreen Washer Jet	08-33,08-34	Cantrail	08-51,08-52
Windscreen Washer Pump	08-33,08-34	Carpet	09-04,09-05
Windscreen Washer Pump Motor	08-34	Coat Hook	09-04
Windscreen Washer Pump Plunger	08-40	Dash Front Panels	08-48
Windscreen Wiper Arm	08-31	Dash side Trim Panel	09-04
Windscreen Wiper Blade	08-31	Demister Outlet Grille	08-70
Windscreen Wiper Motor	08-32	Door Draught Excluder	09-04
Windscreen Wiper Motor Shaft and Gear	08-32	Drip Moulding	08-51,08-52
Windscreen Wiper/Washer Switch	08-40	Engine Bay Valance Panel	08-48
Windscreen Wiper/Washer Switch Knob	08-40	Exterior Mirror	08-69
		Face Level Vent	08-70
		Facia End Finisher	08-71
		Facia Panel	08-70
		Facia Support Rail	08-70
		Facia Veneered Facing	08-71
BODY AND FITTINGS	08-46 to 09-26	Front Badges	08-53
'A' Post Cover	08-68	Front Bumper	08-79,08-80
'A' Post Inner Lower Panel	08-48	Front Deck and Screen	08-51,08-52
'A' post Inner Upper Panel	08-51,08-52	Surround Panel	

ALPHABETICAL INDEX

Description	Ref.No.	Description	Ref.No.
BODY AND FITTINGS (contd.)		BODY AND FITTINGS (contd.)	
Front Door Armrest	08-59,08-63	Front Seat Headrest Assy.	09-11,09-14
Front Door Ash Tray	08-59,08-63	Front Seat Headrest Cover	09-14
Front Door Assembly (2 door)	08-56	Front Seat Headrest Frame	09-14
Front Door Assembly (4 door)	08-60	Front Seat Headrest Lock	09-14
Front Door Check Link	08-56,08-60	Front Seat Headrest Pad	09-14
Front Door Glass	08-57,08-61	Front Seat Headrest Recess	09-14
Front Door Glass Channel	08-57,08-61	Board	
Front Door Glass Run Channel	08-57,08-61	Front Seat Headrest Release	09-14
Front Door Hinge	08-56,08-60	Rod	
Front Door Lock	08-58,08-62	Front Seat Slides	09-08,09-11
Front Door Lock Link	08-58,08-62		09-15
Front Door Lock Striker	08-58,08-62	Front Seat Squab Cover	09-10,09-13
Front Door Outside Handle	08-59,08-63		09-17
Front Door Private Lock	08-58,08-62	Front Seat Squab Pad	09-10,09-13
Front Door Remote Control Handle	08-58,08-62		09-17
Front Door Remote Control Link	08-58,08-62	Front Seat Squab Straps	09-10,09-13
Front Door Seal	08-59,08-63		09-17
Front Door Trim Pad	08-59,08-63	Front Seat Tilt Cable	09-09,09-12
Front Door Ventilator Assembly	08-57,08-61	Front Seat Tilt Lever Cable	09-09
Front Door Ventilator Filler	08-57,08-61	Front Seat Tilt Lever Knob	09-10
Piece		Front Wing	08-48
Front Door Ventilator Frame	08-57,08-61	Front Wing Badge	08-82,08-83
Front Door Ventilator Glass	08-57,08-61	Frontal Grille	08-53,08-54
Front Door Ventilator Locking	08-57,08-61	Gearbox Cover	08-49
Handle		Gearbox Cover Carpet	09-04
Front Door Ventilator	08-57,08-61	Glove Box Lid	08-72
Weatherstrip		Glove Box Lid Check Strap	08-72
Front Door Water Curtain	08-59,08-63	Glove Box Lid Lock	08-72
Front Door Window Regulator	08-58,08-62	Glove Box Lid Lock Striker	08-72
Front Door Window Regulator	08-59,08-63	Handbrake Gauntlet	09-05,09-06
Handle		Headlamp Bezel	08-53
Front Floor Carpet	09-04	Headlamp Surround Assembly	08-53
Front Panel	08-48	Headlamp Surround Panel	08-48
Front Seat Assembly	09-08,09-11	Headlining	08-86
	09-15	Headlining Listing Rail	08-86
Front Seat Cushion Cover	09-10,09-13	Heater Blower Unit	08-77
	09-15	Heater Box	08-76
Front Seat Cushion Diaphragm	09-09,09-12	Heater Control Knob	08-76
	09-16	Heater Duct	08-76
Front Seat Cushion Pad	09-08,09-11	Heater Escutcheon	08-76
	09-15	Heater Hose	08-76
Front Seat Frame	09-08,09-11	Heater Seal	08-76
	09-16	Heelboard Carpet	09-05,09-06

ALPHABETICAL INDEX

Description	Ref.No.	Description	Ref.No.
BODY AND FITTINGS (contd.)		BODY AND FITTINGS (contd.)	
Inner Sill Assembly	08-49	Rear Door Seal	08-64
Insulation Pads	08-85,08-86	Rear Door Trim Pad	08-67
Interior Mirror	08-69	Rear Door Water Curtain	08-67
Luggage Compartment Side Board Assembly	09-07	Rear Door Window Regulator	08-66
Luggage Floor and Spare Wheel Cover Board	09-07	Rear Door Window Regulator Handle	08-67
Luggage Floor Mat	09-07	Rear Floor Carpet	09-05,09-06
Luggage Floor Panel	08-50	Rear Seat Cushion Assembly	09-21
Main Floor Crossmember	08-49	Rear Seat Cushion Cover	09-22
Main Floor Panel	08-49	Rear Seat Cushion Pad	09-22,09-24
Mirrors	08-69	Rear Seat Cushion Spring Case	09-22,09-24
Mudshield Panel	08-48	Rear Seat Pan	08-50
Mudshield Seal	08-48	Rear Seat Pan Crossmember	08-50
Outer Sill Panel	08-51,08-52	Rear Seat Squab Assembly	09-21,09-23
Parcel Tray	08-73	Rear Seat Squab Cover	09-22,09-24
Parcel Tray Reinforcement	08-73	Rear Seat Squab Pads	09-22,09-24
Parcel Tray Support Angle	08-73	Rear Seat Squab Spring case	09-22,09-24
Parcel Tray Trim Board	08-73	Rear Suspension Mounting Bracket	08-50
Quarterlight Glass	08-78	Rear Aprcel Shelf and Squab Support	08-50
Quarterlight Weatherstrip	08-78	Rear Parcel Shelf Trim Panel	08-50
Radiator Frontal Grille	08-53	Rear Parcel Shelf Ventilation Trim Panel	08-50
Radiator Support Panel	08-48	Rear Quarter Inner Panel	08-50
Rear Bumper	08-79,08-81	Rear Valance Panel	08-51,08-52
Rear Door Armrest	08-67	Rear Wheelarch Panel	08-50
Rear Door Ash Tray	08-67	Roof Panel	08-51,08-52
Rear Door Assembly	08-64	Safety Harness Kit	09-25,09-26
Rear Door Check Link	08-64	Steering Column Clamp	08-74,08-75
Rear Door 'D' Light Glass	08-65	Steering Column Lower Support Tube	08-74,08-75
Rear Door 'D' Light Weatherstrip	08-65	Steering Column Nacelle Lower	08-74,08-75
Rear Door Glass	08-65	Steering Column Nacelle Upper	08-74,08-75
Rear Door Glass Channel	08-65	Sill Carpet	09-05,09-06
Rear Door Glass Run Channel	08-65	Sill Panels	08-51,08-52
Rear Door Hinge	08-64	Sound Deadening Pads	08-85,08-86
Rear Door Lock	08-66		
Rear Door Lock Link	08-66		
Rear Door Lock Striker	08-66		
Rear Door Outside Handle	08-67		
Rear Door Remote Control Handle	08-66		
Rear Door Remote Control Link	08-66		

XVa

(Continued on 11-03)

ALPHABETICAL INDEX

Description	Ref.No.	Description	Ref.No.
BODY AND FITTINGS (contd.)		BODY AND FITTINGS (Contd.)	
Spare Wheel Strap	08-78	Trunk Lid Seal	08-78
Sun Visor	08-68	Trunk Lid Striker	08-78
Tonneau Side Panel	08-51,08-52	Underiders	08-79
Trunk Lid	08-78	Windscreen Glass	08-68
Trunk Lid Hinge	08-78	Windscreen Weatherstrip	08-68
Trunk Lid Lock	08-78	Wiper, Linkage Millboard	08-73
Trunk Lid, Nameplates	08-78		
Trunk Lid Operating Knob	08-78	MISCELLANEOUS BODY FITTINGS	09-29,09-30
Trunk Lid Operating Knob Locking Device	08-78	Blanking Plug	09-29
		Sealing Plate	09-29
		Touch-in Paint	09-30
		Tow Bar Kit	09-30

NUMERICAL INDEX

Part No.	Description	Ref.No.	Part No.	Description	Ref.No.
32307	Felt washer	7-04,7-19	70391	Sundry parts set	8-27,8-28
	Dipstick		100148	Clip	7-33,8-36
33214	Tensioner spring,	7-09,7-24	100498	Nut	7-13,7-28
	Anchor Pin		100500	Set screw	7-09,7-24
35960	Camshaft chainwheel	7-09,7-24	100501	Screw	7-04,7-19
36234	Filler piece	7-04,7-20	100764	Bearing	7-10,7-25
36411	Locking plate	7-09,7-24	100851	Circlip	7-10,7-25
37948	Shim	7-46	101022	Set screw	7-04,7-06
42425	Timing chain tensioner	7-09,7-24			7-19,7-21
43752	Timing chain anchor	7-09,7-24	101089	Tube spanner	8-19
	plate		101092	Washer	7-10,7-25
52467	Filter cover	7-30	101302	Tubing nut	7-13,7-28
52469	Filter screen	7-14,7-29	101343	Adaptor	7-13,7-28
		7-31	101962	Stud	7-10,7-19
52472	Washer	7-14,7-29			7-25
		7-31	102488	Gasket, air	7-17,7-35
52485	Washer	7-14,7-29		cleaner	
52489	Screw, fuel pump	7-30	102729	Tubing sleeve	7-33,8-13
52490	Screw, cover	7-30	103222	Plug, drain	8-13
52493	Spring, fuel pump	7-30	104359	Nut	7-14,7-29
56305	Screw	7-43			7-30
57109	Adjustment pin	7-06,7-21	104420	Bush	7-47
57110	Lock nut	7-21	104433	Bearing	7-46,7-47
57355	Washer	7-30	104438	Washer	7-47
57361	Spring washer	7-14,7-29	104445	Spring	7-46
		7-30	104449	Core plug	7-45
57462	Band, cover	8-27,8-28	104549	Shim	8-27,8-28
58258	Clamp	7-28,7-13	104554	Bolt	7-61
58913	Battery screw	08-42	104581	Key	7-59
58923	Valve guide	7-06,7-21	104582	Oil catcher	7-59
59426	Open-ended spanner,	8-19	104737	Pawl, handbrake	7-86
	50" AF x 5.6" AF		104740	Spring, pawl release	7-86
59427	Combination tool	8-19	104749	Fork end, handbrake	7-86
59492	Bulb	08-39,08-40	104750	Pin, joint	7-86
59660	Screw	7-30	104773	Oil seal housing	7-59
59897	Bulb, roof lamp	8-39	104824	Push rod	7-21
60070	Bearing cap bush	7-61	104839	Spindle	7-10,7-25
60176	Nut, tubing	7-33,8-13	104840	Impellor	7-10,7-25
60274	Spring, turn	7-71	104841	Distance piece	7-10,7-25
60313	Bearing seal	7-10,7-25	104859	Locating screw	7-10,7-21
61917	Grommet	7-15,7-31	104860	Distributor	7-09,7-24
		8-33,8-39		driving gear	
		8-55,8-57	104861	Oil pump drive	7-09,7-24
		8-76		shaft	

NUMERICAL INDEX

Part No.	Description	Ref.No.	Part No.	Description	Ref.No.
104862	Distributor and Oil Pump drive assembly	7-09,7-24	106254	Reverse operating lever assembly	7-47
104939	Joint washer .006" thick	7-09,7-24	106268	Selector Fork,Third and top	7-45
104963	Core plug	7-12,7-27	106269	Joint washer	7-45
104964	Oil pump body	7-12,7-27	106270	Thrust washer	7-47
105114	Camshaft locating plate	7-09,7-24	106365	Oil thrower	7-47
105115	Key	7-08,7-23	106388	Spring	7-46
105118	Valve spring collar, lower	7-06,7-21	106437	Joint washer	7-43
105119	Valve spring collar, upper	7-06	106448	Fulcrum, reverse operating lever	7-47
105120	Rocker spring	7-06,7-21	106477	Screw	7-47
105121	Stud	7-04,7-19	106478	Interlock pin	7-45
105123	Stud	7-06,7-21	106481	Selector plunger	7-45
105124	Stud	7-06,7-21	106489	Plunger spring	7-45
105125	Stud	7-06,7-21	106663	Split cone	7-06,7-21
105131	Timing chain	7-09,7-24	107072	Gasket, cylinder adaptor to slave	7-04,8-09 8-10
105143	Constant pinion shaft bush	7-08,7-23	107099	Plug	7-45
105321	Joint washer	7-05,7-20	107176	Gland seal	07-82,07-84
105322	Rocker spring	7-06,7-21	107246	Plug	7-04,7-19
105561	Packing	8-27,8-28 8-29	107401	Dowel	7-07,7-23
105689	Spring, shoe return, adjuster end	8-05	108021	Selector shaft, third and top	7-45
105745	Stud, carburettor to manifold	7-28	108114	Blanking plug	7-45
106084	Spring	7-39,7-40	108301	Piston	7-16,7-32 7-34
106088	Retainer, spring	7-75,7-76 7-77	108302	Screw	7-16,7-32 7-33
106090	Washer, spring, valve head	7-75,7-76 7-77,7-78	108325	Nut, levers to connecting rods	7-33
106092	Circlip, retaining push rod in body	7-75,7-76	108334	Hinge pin	7-16,7-32 7-33
106094	Cap, filler	7-75	108341	Spring	7-16,7-32 7-33
106095	Gasket, filler cap	7-75	108349	Screw	7-16,7-32 7-33
106156	Spring, plunger	7-75,7-76 7-77	108350	Bolt	7-33
106157	Stem, valve	7-75,7-76	108351	Washer	7-16,7-32 7-33
106158	Seal, valve	7-75,7-76	108355	Spring	7-16,7-32 7-33

NUMERICAL INDEX

Part No.	Description	Ref.No.	Part No.	Description	Ref.No.
108362	Nut	7-16,7-32 7-33	116201	Gasket, Adaptor to body	7-76
108757	Oil seal	7-43	116516	Core plug	7-04,7-19
108976	Bolt	7-67	117400	Sleeve,connecting	8-52
108977	Bush,rubber, between plate and adaptor	7-67	117510	Oil seal	7-43
109023	Rocker Number 1.	7-06,7-21	118040	Gear lever	7-48
109024	Rocker Number 2	7-06,7-21	118053	Oil seal	7-48
109182	Push rod	7-44	118054	Screw	7-48
109495	Adjusting pin	7-07,7-22	118632	Dry seal plug	7-04,7-19
110376	Locating pin	7-61	118977	Lock washer	7-61
110461	Strip, conductor	7-67	119096	Thrust bearing	7-43
110679	Washer	7-16,7-32 7-33	119099	'O' ring	7-43
110748	Nut	7-06,7-21	119100	Speedo driven gear assembly	7-43
110960	Plate, flexible joint	7-67	119251	Spring	7-48
111163	Spacer, valve	7-75,7-76 7-77	119252	Spring	7-48
111422	Thrust washer	7-46	119262	Bush	7-48
111423	Bush, third speed gear	7-46	119263	Circlip	7-48
111870	Valve spring collar	7-21	119389	Chainwheel	7-07,7-23
111874	Push rod	7-06,7-21	119390	Oil deflector	7-07,7-23
112394	Circlip	7-46	119450	Bush	7-63
112429	Stud	7-55,7-59	119573	Dished washer,outer	7-48
112509	Thrust plug	7-44	119758	Stud	7-18,7-19
112516	Push rod pin	7-44	119813	Small end bush	7-07,7-23
112635	Nut	7-61	119891	Retaining ring	7-47
112654	Snap ring	7-46,7-47	119893	Needle roller	7-47
112907	Stud	7-04,7-19	120128	Dust cover	8-04
113071	Spindle	7-47	120129	Gasket, cylinder sealing	8-04
113087	Road wheel nut	7-64,7-65	120138	Plate,wheel cylinder retaining	8-05
113150	Bolt, disc to hub	8-06	120305	Joint washer	7-48
113229	Thrust washer	7-47	120307	Reverse Baulk plate	7-48
113868	Selector fork, first and second	7-43	120331	Connector	7-33
114178	Grommet,fitted in clip	7-31,7-33	120953	Spring, inner ball joint	7-68
114749	Joint washer	7-59	120957	Washer,tab,locking	7-68
114774	Screwed plug	7-05,7-06 7-20,7-21 7-43,7-59	121217	Stud	7-04,7-19
115706	Rubber boot, solenoid switch	8-42	121234	Cable, filler cap retaining	8-13
			121251	Valve spring	7-06
			121398	Oil pressure indi- cator switch	7-05,7-19

NUMERICAL INDEX

Part No.	Description	Ref.No.	Part No.	Description	Ref.No.
121530	Distributor pedestal	7-08,7-24	128022	Locknut,ball joint to 7-68	
121782	Union, double-ended	8-11		ball pin	
121831	Dipstick tube	7-04,7-19	128024	Housing, ball	7-68
122115	Plug	7-10,7-25	128037	Set, bolt	8-04
122324	Rubber bush	7-54,7-63	128262	Sleeve	7-15,7-31
122511	Lower socket	7-55			7-33
122512	Upper socket	7-55	128373	Dished washer,inner	7-48
122515	Top cover	7-55	129077	Drain plug	7-04,7-19
122566	Front end cover	7-44	129119	Pinch sleeve	7-48
122569	Joint washer	7-43	129120	Operating shaft	7-48
122653	Setscrew	7-45,7-48	129358	Bush	7-44
122669	Clamp, steering	7-67	129361	Bolt	7-64
122718	Cap,end,outer tube	7-67	129410	Fulcrum pin	7-44
122719	Washer, end cap	7-67	129412	Tolerance ring	7-44
122745	Open ended spanner	8-19	129781	Bolt	7-61
	$\frac{1}{2}$ " AF x 7/16" AF		129963	Sleeve, adaptor	7-68
122796	Connector tank, petrol	7-32	130031	Shim .002"	7-68
	pipe to front		130032	Shim .010"	7-68
123231	Cap	7-54,7-63	130355	Bearing,differential	7-61
123813	Shim .009" thick	7-61		casing to hypoid	
123814	Shim .013" thick	7-61		housing	
123815	Shim .014" thick	7-61	130415	Joint washer	7-39
123816	Shim .016" thick	7-61	130814	Insert, inlet valve	7-06
123817	Shim .019" thick	7-61		seat	
125054	Bolt	7-48	131465	Rim	8-33
125170	Connector, petrol pipe	7-15,7-31	131535	Oil relief valve	7-04,7-19
125189	Fuse box	8-41,8-53		piston ring	
125252	Washer .020" thick	7-09,7-24	131567	Rear hub and stud assy	7-59
125781	Screw, locating	7-67	131786	Bush	7-04,7-19
125782	Plate, locating	7-67	131843	Thrust washer	7-46
126079	Tap, radiator drain	8-17,8-18	132098	'O' ring for use	7-12,7-27
126607	Cap	7-48		with A.C.Delco	
126754	Dowel	7-48		filter	
126857	Inlet valve	7-06	132107	Oil relief valve	7-04,7-19
126893	Inlet valve	7-06		piston	
127740	Shaft, gear lever	7-48	132242	Insert, exhaust valve	7-06
127741	Coupling	7-48		seat	
127883	Dowel	7-08,7-23	132439	Bolt	8-06
128002	Bush, back tube	7-68	132495	Stud	7-06,7-21
128021	'O' ring, piston	7-68	132588	Rod Assy.pawl release	7-82

NUMERICAL INDEX

Part No.	Description	Ref.No.	Part No.	Description	Ref.No.
132665	Hub end cover	7-55	136990	Selector shaft	7-45
132666	'D' washer	7-55		plunger, reverse	
132668	Felt seal	7-55	137531	Balance weight $\frac{1}{2}$ oz.	7-64,7-65
132872	Dowel bolt	7-44	137687	Distance piece	7-47
133103	Plug,grease,in screwed cap	7-68	137775	Washer	7-46
133271	Rear engine mounting rubber	7-51	137811	Plug	7-06,7-21
133579	Reservoir,transparent	7-76	137834	Split collar	7-46
133580	Adaptor,reservoir to body	7-76	137845	Clamp	7-13,7-28
133581	Cap, filler	7-76,7-77	138176	Oil filler cap	7-07,7-22
		7-78	138092	Speedo bearing assy.	7-43
133582	Seal, adaptor to reservoir	7-76	138440	Thrust washer	7-61,7-62
				.027" thick	
134065	Roller bearing, pinion head	7-61,7-62	138441	Thrust washer	7-61,7-62
				.035" thick	
134070	Bearing, pinion nose	7-61,7-62	138442	Thrust washer	7-61,7-62
134072	Cross pin	7-61,7-62		.039" thick	
134073	Differential gear, 16 teeth	7-61,7-62	138466	Nut, securing steering wheel	7-67
134074	Pinion, differential, 10 teeth	7-61,7-62	138526	Bolt	7-08,7-23
134075	Thrust washer	7-61,7-62	138529	Bolt	7-08,7-23
134076	Thrust washer .030"/.032" thick	7-61,7-62	138530	Hose adaptor	7-13,7-28
134174	Starter solenoid switch	8-27,8-28	138559	Shield water	7-55
			138591	Gasket	7-14,7-29
134176	Ballast resistor	8-21			7-30
134529	Stop light switch	8-41	138605	Grommet	7-33
134556	Washer	7-63	138626	Lower retainer	7-53
134574	Ring, sealing gauge unit	8-13	138685	Spherical bush	7-48
134575	Ring, locking gauge unit	8-13	138701	Gasket	7-10,7-11
134773	Pin,fulcrum,pawl to lever	7-82			7-25,7-26
134855	Carburettor fuel pipe	7-33	138702	Gasket	7-11,7-26
134861	Grommet,handbrake cable	7-82	138791	Petrol pump gasket	7-14,7-29
134933	Dipstick	7-04,7-19	138807	Clip (Exhaust pipe)	8-12
136487	Valve spring	7-06,7-21	138869	Gaiter clip	7-55
136606	Ball pin	7-55	138892	Clip	7-15,7-26
136611	Bush, pedal	7-73,7-74			7-31,7-33
136835	Spring	7-72	138928	Clutch master cylinder	7-75
136939	Connector,4 way	8-08,8-09	139129	Spring, plunger	7-68
			139300	Gaiter	7-55

NUMERICAL INDEX

Part No.	Description	Ref.No.	Part No.	Description	Ref.No.
139386	Mounting rubber	7-68	142795	Nut, locking	7-68
139563	Clutch throwout sleeve	7-44	142797	Washer	7-54
140073	Balance weight, 1 oz.	7-64,7-65	142931	Sealing cap	7-55
140074	Balance weight, 1½ oz.	7-64,7-65	143033	Adaptor, clutch pipe to slave cylinder	8-08,8-09 8-10
140075	Balance weight, 2 oz.	7-64,7-65	143393	Oil filler cap	7-05,7-21
140076	Balance weight, 2½ oz.	7-64,7-65	143456	Oil seal	7-05,7-20
140077	Balance weight 3 oz.	7-64,7-65	143552	Valve tappet	7-06,7-21
140368	Clamp, rack and pinion housing	7-68	143623	Washer, sealing	8-14
140413	Washer, waved	7-71	143747	Link,throttle return spring	7-72
140743	Bracket, rear pipe mounting	8-14	143752	Timing chain ten- sioner anchor plate	7-09
140790	Shim .030" thick	7-61,7-62	143800	Nut	7-82
140791	Shim .010" thick	7-61,7-62	143802	Nut	7-18,7-37 7-51,7-53 8-14
140792	Shim .005" thick	7-61,7-62	143804	Nut	7-51,7-53
140793	Shim .003" thick	7-61,7-62	143820	Cap, screwed, retaining plunger	7-68
140797	Compression ring	7-08,7-23	143821	Shim .010" pinion adjusting	7-68
140798	Compression ring	7-08,7-23	143822	Shim .004" pinion adjusting	7-68
141242	Seal, oil, pinion	7-61	143823	Bush, pinion lower	7-68
141642	Hose, breather, filler pipe to tank	8-13	143824	Plunger	7-68
141643	Hose, filler pipe to tank	8-13	143825	Plug, pinion end	7-68
141675	Flywheel assembly	7-08	143862	Lower socket .407"/ .404" thick	7-54
141833	Nut, tubing	8-13	143863	Lower socket .403"/ .400" thick	7-54
142002	Rear number plate lamp	8-39	143864	Lower socket .399"/ .396" thick	7-54
142087	Strap, battery	8-42	143961	Cover, end	7-68
142139	Adaptor	7-67	143962	Special washer	7-54
142140	Flexible joint assembly	7-67	144034	Washer, steel	7-48
142175	Clip, breather hose to body	8-13	144070	Stud	7-06,7-21
142281	Clip	8-14	144195	Thrust washer	7-08,7-23
142333	Washer	7-59	144297	Water pump body	7-10,7-11 7-25,7-26
142356	Dished washer	7-55	144301	Lower wishbone Assy.	7-55
142539	Lead, number plate lamp	8-39			
142649	Lifting eye bracket	7-06,7-21			
142754	Bush	7-82			
142755	Pin, fulcrum, handbrake lever	7-82			
142774	Cylinder liner	7-04			
142777	Plate assembly	7-54			
142793	Penny spring	7-55			
142794	Gaiter retaining clip	7-54			

NUMERICAL INDEX

Part No.	Description	Ref.No.	Part No.	Description	Ref.No.
144542	Petrol pipe, front connector to pump	8-13	145924	Shim .084" thick	7-61,7-62
144580	Reverse Idler gear assembly	7-47	145925	Shim .0855" thick	7-61,7-62
144595	Countershaft	7-47	145926	Shim .087" thick	7-61,7-62
144648	Core plug	7-06,7-21	145927	Shim .0885" thick	7-61,7-62
144686	Core plug	7-04,7-06	145928	Shim .090" thick	7-61,7-62
		7-19,7-21	145929	Shim .0915" thick	7-61,7-62
144687	Core plug	7-04,7-19	145930	Shim .093" thick	7-61,7-62
144688	Core plug	7-04,7-19	145931	Shim .0945" thick	7-61,7-62
144716	Clutch, slave	7-39	145932	Shim .096" thick	7-61,7-62
144782	Needle roller bearing	7-47	145933	Spacer	7-61,7-62
144836	Centre bearing	7-64	146176	Bolt	7-40
144938	Connector	8-13	146240	Selector shaft,	7-45
144939	Exhaust valve	7-06		first and second	
144961	Bolt	7-64,7-65	146241	Selector sleeve,	7-45
144962	Rocker shaft	7-06,7-21		first and second	
144965	Exhaust valve	7-06,7-07	146303	Washer	7-48
		7-22	146326	Water drain tap	7-04,7-19
144973	Pedestal, Rocker Number One.	7-06,7-21	146454	Connecting rod assembly	7-08,7-23
144974	Pedestal, Rocker, Intermediate	7-06,7-21	146467	Flywheel assembly	7-23
144975	Pedestal Rocker, Number Four	7-06,7-21	146485	Gudgeon pin	7-08,7-23
145015	Exhaust valve	7-21	146487	Valve seat insert exhaust valve	7-21
145020	Cylinder liner	7-19	146488	Valve seat insert inlet valve	7-21
145083	Shim	7-53	146914	Washer	7-17,7-21
145108	Plug(Fitted in Housing)	7-68	146974	Cotter pin	7-55,7-63
145197	Spring	7-72	146987	Bezel	8-40,8-52
145242	Cover, gauge unit	8-13	147249	Thrust washer .029" thick	7-61,7-62
145243	Clamp assembly	7-56	147250	Thrust washer .033" thick	7-61,7-62
145275	Shim .004" thick	7-08,7-23	147251	Thrust washer .037" thick	7-61,7-62
145276	Shim .006" thick	7-08,7-23	147252	Thrust washer .043" thick	7-61,7-62
145328	Inlet valve	7-21	147394	Reverse gear actuator	7-45
145631	Inlet manifold	7-28	147482	Connector	7-28,7-79
145918	Shim .075" thick	7-61,7-62			7-81,7-85
145919	Shim .0765" thick	7-61,7-62	147483	Spacer	7-18,7-37
145920	Shim .078" thick	7-61,7-62	147631	Retaining washer	7-54,7-63
145921	Shim .0795" thick	7-61,7-62	147899	Alternator	7-18,7-37
145922	Shim .081" thick	7-61,7-62		Mounting bracket	
145923	Shim .0825" thick	7-61,7-62			

NUMERICAL INDEX

Part No.	Description	Ref.No.	Part No.	Description	Ref.No.
147990	Alternator fan	8-26	149963	Thrust washer	7-46
148099	Shim .077" thick	7-61,7-62	149971	Switch, actuator	8-10
148100	Shim .079" thick	7-61,7-62	149980	Bracket mounting RH	7-64
148101	Shim .080" thick	7-61,7-62	150022	Front sealing gasket	7-04,7-19
148102	Shim .082" thick	7-61,7-62	150056	Compensator, hand-brake	7-82
148103	Shim .083" thick	7-61,7-62	150164	H.T. lead	8-21
148104	Shim .085" thick	7-61,7-62	150246	Adjusting link	7-18,7-37
148105	Shim .086" thick	7-61,7-62	150328	Synchro cup	7-46
148322	Seal	7-10,7-25	150468	Bracket, mounting L.H.	7-64
148353	Core plug	7-45	150548	Ignition lead	8-21
148486	Shim .005" thick	7-54	150640	Connector block	8-43
148487	Shim .010" thick	7-54	150681	Plate assembly, rear engine mounting	7-51
148488	Shim .010" thick	7-55	150815	Clip, trafficator cancelling	7-57
148489	Shim .005" thick	7-55	150843	Temperature transmitter	7-11,7-26
148599	Element seating gasket	7-17,7-35	150881	Pad, Rubber (on pedal)	7-73,7-74
148621	Clip	8-30	150923	Boot, handbrake lever	7-82
148726	Bracket, handbrake Mtg.	7-82	150930	Clip, petrol pipes to body	8-13
148805	Thrust washer .041" thick	7-61	150988	Compensator link cable	7-82
148830	Dual brake warning light	8-40	150993	Clamp plate, between handbrake and boot	7-82
148876	Voltage stabiliser	8-40	151084	Pin, ball	7-68
149081	Big end bearing	7-08,7-23	151085	Inner ball joint Assy.	7-68
149082	Main bearing	7-08,7-23	151103	Suction pipe	7-15,7-31
149140	Gearbox case	7-43	151134	Front sealing block	7-04,7-19
149265	Throttle disc	7-34	151179	Bracket, pedal Mtg.	7-71
149325	Vacuum hose	07-85	151191	Shim, damping L.H.	8-06
149328	Hose, non-return valve to manifold adaptor L.H.S.	7-79,7-81	151192	Shim, damping R.H.	8-06
149337	Vacuum hose, brake servo	8-09	151491	Bracket, exhaust pipe support	8-14
149348	Choke control bracket	7-07,7-21	151632	Retainer, upper	7-35
149699	Hose, water pump to inlet manifold (Front) Inlet manifold to return pipe (Rear)	7-28	151784	Clip	7-39
149700	Hose	7-13,7-28			
149827	Bush, lower link, rear	7-63			
149849	Bush, upper link	7-63			
149850	Centre bearing mounting	7-64			
149934	Front engine mounting rubber	7-51			

NUMERICAL INDEX

Part No.	Description	Ref.No.	Part No.	Description	Ref.No.
151789	Bracket, lower steering column support	7-67	153140	Connector, front petrol pipe to pump	8-13
151798	Tube, distance	7-73,7-74	153184	Bush	7-54
152016	Grip,handbrake lever	7-86	153245	P.B.C. grease (1 oz. tube)	8-19
152091	Pad, rubber (on Pedal)	7-74	153300	Connector, rear	8-13
152130	Tube, distance (Cardboard)	7-67	153301	Brake master	7-76,7-77
152306	Tube, distance	7-73,7-74	153317	P.B.C. grease (4½ oz. tube)	8-19
152307	Spring,pedal return	7-73,7-74	153322	Insulator	7-63
152308	Bush,lower link, front	7-63	153437	Rubber bush	7-54
152513	Lower steering column assembly	7-67	153445	Petrol pipe, tank to rear connector	9-07
152516	Upper steering column assembly	7-67	153512	Clutch pipe Assy.	7-05,8-08
152581	Washer	7-63			8-10
152583	Upper link and bush assembly	7-63	153516	Shim .004"	7-68
152588	Rubber bush	7-55	153517	Screw, securing bracket and switch	8-30
152597	Bolt, lock to outer housing	7-67	153662	Elbow	7-31
152647	Flat washer	7-55	153675	Pin, special	7-71
152672	Universal joint assembly	7-67	153677	Flange,pinion and stone guard	7-61
152767	Rubber	7-63	153679	Crown wheel and pinion assembly	7-61
152797	Hand lever	7-48		3.89:1 ratio	
152827	Bearing (Upper)	7-67	153680	Crown wheel and pinion assembly	7-61
152962	Handbrake assembly	7-86		4.11:1 ratio	
153005	Bracket, switch	8-30	153747	Insulator	7-54
153039	Master cylinder location plate	7-76,7-77	153780	Link assembly	7-71
153041	Clip, locating cable in accelerator pedal	7-71,7-72	153785	Relay lever	7-71
153067	Accelerator pedal assembly R.H.S.	7-71	153787	Bracket,relay lever mounting	7-71
153091	Accelerator pedal assembly L.H.S.	7-71	153796	Stud	7-13,7-28
153098	Rubber bush	7-55	153815	Carburettor gasket	7-15,7-31
153106	Plate R.H.	7-64,7-65	153824	Rear engine mounting bracket	7-53
153108	Plate L.H.	7-64,7-65	153868	Bearing, lower	7-67
153138	Connector, rear Intermediate	7-33,8-13	153887	Lokut,nut (Choke cable	7-71

NUMERICAL INDEX

Part No.	Description	Ref. No.	Part No.	Description	Ref.No.
153888	Nut, plastic bezel attachment, upper	8-54	154821	First speed gear	7-46
153902	Spring, pedal return	7-73, 7-74	154829	Countershaft cluster gear	7-47
153957	Clip	7-72	154831	Link, return spring	7-71
154034	Throttle lever assy.	7-16, 7-32	154850	Hose mounting bracket R.H.	7-54
154117	Bellcrank	7-72	154851	Hose mounting bracket L.H.	7-54
154118	Cup	7-63	154859	Spacer	7-53
154227	Hose, heater inlet	8-76	154860	Spacer	7-53
154228	Hose, heater return	8-76	154861	Retaining washer	7-53
154238	Gear lever knob	7-48	154921	Shim .0092"/.0095" thick	7-61, 7-62
154280	Connector	7-15, 7-31	154925	Shim .019"/.021" thick	7-61, 7-62
154334	Alternator pulley	8-26	154930	Damper mounting plate	7-54
154360	Bolt	7-71	154931	Stub axle	7-55
154400	Bracket, accelerator return spring	7-71	154934	Adaptor	7-13, 7-28
154442	Plastic cover, ignition key	8-30	154935	Hose	7-13, 7-28
154479	Gear, second speed	7-46	154945	Selector shaft, reverse	7-45
154519/0	Speedometer cable R.H.S. outer	8-40	154955	Master light switch	8-40
154519/I	Speedometer cable R.H.S. inner	8-40	154964	Front hub assembly	7-55
154520/0	Speedometer cable L.H.S. outer	8-40	154985	Gear lever knob	7-48
154520/I	Speedometer cable L.H.S. inner	8-40	155024	Lead, roof lamp	8-43
154577	Hazard warning unit	8-30	155058	Spring, compensator support	7-82
154583	Rear side marker lamp L.H. U.S.A.	8-39	155071	Actuator, pressure	8-10
154592	Clevis assembly, cable to relay lever	7-71	155105	Accelerator cable L.H.S.	7-71
154594	Pin, clevis	7-71	155106	Accelerator cable R.H.S.	7-71
154625	Plate locating	7-68	155125	Spacer, scraper ring	7-08, 7-23
154626	Hose, radiator to overflow tank	8-17, 8-18	155126	Chrome rail ring scraper ring	7-08, 7-23
154653	Clip	8-43	155129	Windscreen wiper and washer switch	8-40
154665	Wiper arm L.H.S.	8-31	155140	Body harness	8-40
154666	Wiper arm R.H.S.	8-31	155148	Adaptor	7-31
154668	Wiper arm R.H.S.	8-31	155160	High note horn, Lucas	8-30
154669	Wiper arm L.H.S.	8-31			
154670	Wiper blade	8-31			

NUMERICAL INDEX

Part No.	Description	Ref.No.	Part No.	Description	Ref.No.
155161	Low Note horn, Lucas	8-30	155793	Upper Mounting rubber	7-53
155162	Horn high note, Clear Hooters	8-30	155794	Mounting rubber	7-53
155163	Low Note horn, Clear Hooters	8-30	155795	Rear hub and stud assembly	7-59
155167	Piston assembly, Graded F and G	7-23	155799	Bush	7-48
155169	Piston assembly, Graded F and G	7-23	155800	Spacer	7-48
155234	Upper ball pin	7-54	155801	Washer, nylon	7-48
155266	Upper socket	7-54	155805	Washer .119"/.121"	7-46
155297	Lower fulcrum	7-55	155806	Washer .112"/.124"	7-46
155337	Front hub assembly	7-55	155807	Washer .125"/.127"	7-46
155357	Crankshaft nut	7-08,7-23	155808	Washer .128"/.130"	7-46
155370	Strainer and suction pipe	7-12,7-27	155891	Bracket,bump rubber	7-63
155371	Nut	7-12,7-27	155892	Rear axle bump rubber	7-63
155374	Cover and strainer assembly	7-12,7-27	155907	Piston Assembly, Graded F and G high compression	7-08
155419	Harness, roof lamp	8-43	155908	Piston assembly, graded F and G low compression	7-08
155456	Front propellor shaft guard strap	7-64	155954	Clutch slave cylinder assembly	7-39,7-40
155457	Rear propellor shaft guard strap	7-64,7-65	155956	Clutch pipe assembly	8-08,8-09 8-10
155472	Harness	8-34	155959	Support bracket	7-15,7-31
155496	Windscreen wiper and washer switch	8-40	155971	Hose, overflow	8-17,8-18
155548	Outer ball joint assembly	7-63	155978	Stop light switch	8-41
155563	Lead, reverse light	8-42	156032	Speedo driven gear, nylon	7-46
155569	Driven plate assembly	7-40	156082	Shim .0025"/.0035" thick	7-62
155603	Plate, locating	7-68	156083	Shim .0045"/.0055" thick	7-62
155631	Inlet manifold	7-13	156084	Thrust washer	7-46
155639	Plate	7-64,7-65	156223	Bellows, rubber	7-68
155640	Plate	7-64,7-65	156224	Bellows, rubber	7-68
155660	Drain plug	7-43	156255	Extension lead	8-43
155695	Oil seal	7-09,7-24	156290	Throttle lever Assy.	7-33
155708	Radiator overflow tank assembly	8-17,8-18	156326	Jack handle	8-19
155748	Centre bearing shield	7-64	156333	Water elbow	7-11,7-26
155755	Mainshaft flange	7-46	156336	Bolt, self locking	7-44
155756	Washer	7-46	156383	Connector, front	8-13
155757	Speedo driven gear,Steel	7-46	156420	Fuel pipe	8-13

NUMERICAL INDEX

Part No.	Description	Ref.No.	Part No.	Description	Ref.No.
156427	Accelerator cable L.H.S.	7-72	157197	Flywheel	7-23
156461	Lock assembly R.H.S.	7-67	157207	Extension harness	8-34
156462	Lock assembly L.H.S.	7-67	157229	Valve spring	7-07,7-22
156464	Adjusting link	7-18,7-37	157239	Insulator, rear road spring	7-63
156531	Extension lead, dual brake	8-43	157409	Sealing ring	7-12,7-27
156533	Mounting bracket	7-72	157414	Sealing ring	7-12,7-27
156535	Link, bellcrank to throttle lever	7-72	157503	Brake master cylinder R.H.S.	7-78
156544	Connector, servo hose to inlet manifold	7-28	157504	Brake master cylinder L.H.S.	7-78
156565	Mounting bracket	8-16	157508	Push rod	7-07,7-22
156580	Sealing strip	7-39	157655	Plate flexible joint	7-67
156581	Oil filter	7-12,7-27	157656	Adaptor, flexible joint	7-67
156599	Dual brake harness	8-43	157657	Flexible joint assy.	7-67
156605	'T' piece	7-73	157659	Universal joint assy.	7-67
156736	Hose clip	7-13,7-28	157724	Clip	7-31
		8-76	157732	Bearing	7-43
156805	Approval plate, door lock, France.	8-48	157741	Steering column lock R.H.S.	7-67
156910	Handlever bush	7-48	157742	Steering column lock L.H.S.	7-67
156911	Sleeve assembly, Synchro 1st and 2nd gears	7-46	157910	Strap, battery	8-42
156936	Packing disc	7-45	158003	Stud	7-45
156952	Connector	8-13	158006	Hose	7-31
156967	Distance piece	7-56	158015	'T' piece	7-31
156968	Sleeve assembly, synchro operating 3rd and top gear	7-46	158208	Tail lamp base gasket	8-39
			158209	Flasher unit	8-30
156985	Mounting bracket, centre bearing	7-65	158255	Mounting plate	8-12
			158295	Approval plate	8-48
157013	Front propellor shaft guard strap	7-64,7-65	158306	Lever, handbrake	7-86
157037	Fulcrum shaft	7-54	158385	Extension lead	8-29
157065	Anchor bracket	7-72	158493	Top cover	7-45
157068	Gasket, carburettors to manifold	7-33	158585	Washer	7-45
157070	Lining pad assembly	8-06	158711	Rear axle bump rubber	7-63
157082	Petrol pipe, front to rear carburettor	7-33	158732	Ball socket	7-68
			158734	Fuse Assy (Main Beam)	8-35
157089	Front hub assembly	7-55	158816	Wiper arm R.H.S.	8-31
157157	Bolt	8-06	158817	Wiper arm L.H.S.	8-31
157165	Clamp assembly	7-68	158836	Nylon washer	7-63
			158858	Fuse assy. (Dip beam)	8-35
			158917	Sidelamp warning light	8-35

NUMERICAL INDEX

Part No.	Description	Ref.No.	Part No.	Description	Ref.No.
158940	Cylinder liner (1300cc)	7-04	214991	Oil sump	7-05,7-20
158941	Cylinder liner (1500 cc)	7-19	215327	Radiator hose,lower	8-18
158948	Extension lead	8-35	215346	Alternator	7-18,8-22
158955	Pressure reducing valve	8-12	215350	Joint washer	7-05,7-20
159136	Brake caliper R.H.	8-06	215372	Front engine and mounting plate	7-05,7-20
159137	Brake caliper L.H.	8-06			
159403	Bracket (Bump rubber)	7-63	215468	Gauge unit	8-13
159574	Brake servo kit	7-85	215483	Bracket,brake pedal support R.H.S.	7-73
159789	Front brake shoe	8-04			
159858	Roof lamp harness	8-43	215485	Bracket, brake pedal support L.H.S.	7-74
159859	Roof lamp harness	8-43			
159978	Thrust washer	7-46	215495	Clutch pedal assy. L.H.S.	7-74
160018	Thrust washer	7-46			
200535	Starter motor, Inertia type	8-27,8-28	215508	Clutch pedal assy. R.H.S.	7-73
201316	Bearing housing	7-10,7-25	215541	Bracket,clutch pedal support	7-73,7-74
201344	Rear engine plate	7-20			
201350	Flywheel gear ring	7-08,7-23	215568	Rear damper assy.	7-63
206175	Slave cylinder boss	7-43	215588	Motor and gearbox L.H.S. 2 speed	8-31
207492	Timing cover assembly	7-09,7-24			
208493	Petrol pump assembly	7-30	215668	Brake pedal assembly L.H.S.	7-74
209423	Bearing, intermediate	7-67			
210449	Clutch housing and front end cover assembly	7-44	215748	Backplate L.H.	8-07
			215749	Backplate R.H.	8-07
211126	Timing cover washer	7-09,7-24	215750	Motor and gearbox L.H.S.Single speed	8-31,8-32
211735	Rack, steering	7-68			
211993	Mounting bracket R.H.	7-53	215751	Motor and gearbox R.H.S.Single speed	8-31,8-32
211994	Mounting bracket L.H.	7-53			
212015	Pipe assembly, petrol filler	8-13	215754	Rear brake drum	8-05,8-07
			215781	Rear brake assembly L.H.	8-07
212292	Distributor assembly	8-22			
212359	Camshaft	7-09,7-24	215782	Rear brake assembly R.H.	8-07
212622	Rear oil seal housing	7-05			
212935	Pipe assembly	7-13,7-28	215859	2 in 1 instrument gauge	8-40
213032	Clutch disengaging lever assembly	7-44			
214538	Clutch cover assembly	7-40	215860	Speedometer,mile	8-40
214748	Mounting bracket R.H.	7-53	215860/3	Speedometer, Mile	8-40
214749	Mounting bracket L.H.	7-53	215861	Speedometer, Kilo	8-40
			215861/3	Speedometer, Kilo	8-40

NUMERICAL INDEX

Part No.	Description	Ref.No.	Part No.	Description	Ref.No.
215864	Speedometer, Mile	8-40	216409	Rear brake assembly	8-05
215865	Speedometer, Kilo	8-40		L.H.	
215922	Petrol pipe pump to carburettor	7-15,7-31	216410	Backplate assy. R.H.	8-05
216012	Petrol pipe	7-15,7-31	216411	Backplate Assy. L.H.	8-05
216034	Handbrake cable assembly	7-82	216442	Road spring	7-63
216082	Brake pedal assembly R.H.S.	7-73	216464	Dirt shield R.H.	8-06
216288	Front damper	7-54	216465	Dirt shield L.H.	8-06
216294	Backplate assembly L.H.	8-04	216498	Support bracket	7-85
216295	Backplate assembly R.H.	8-04	216537	Rear axle shaft	7-59
216296	Front brake assembly L.H.	8-04	216552	Bracket master cylinder support R.H.S.	7-76,7-77 7-78
216297	Front brake assembly R.H.	8-04	216561	Bracket	7-79,7-81
216323	Rear propellor shaft assembly	7-64	216584	Fan pulley	7-10,7-25
216342	Hypoid housing assembly complete with gears 3.89:1 ratio	7-59	216611	Constant pinion shaft	7-47
216343	Hypoid housing assembly complete with gears 4.11:1 ratio	7-59	216614	Third speed gear	7-46
216357	Carburettor assembly	7-15,7-31	216680	Bracket, master cylinder support L.H.S.	7-76,7-77 7-78
216359/1	Front side and flasher Lamp R.H. Lucas	8-37	216697	Ring gear	7-23
216359/2	Front side and flasher lamp R.H. Magnatex	8-37	216755	Rocker cover assy.	7-06,7-21
216360/1	Front side and flasher lamp L.H. Lucas	8-37	216764	Trafficator and dip switch R.H.S	8-30
216360/2	Front side and flasher lamp L.H. Magnatex	8-37	216765	Trafficator and dip switch L.H.S.	8-30
216369	Stop/Tail/Flasher and reflex lamp R.H.	8-39	216820	Front road spring and damper assy. R.H.S.	7-54
216370	Stop/Tail/Flasher and reflex lamp L.H.	8-39	216823	Headlamp assembly	8-35
216377	Road spring L.H.	7-54	216864	Ignition and starter switch	8-30
216378	Road spring R.H.	7-54	216896	Tie rod lever and ball joint Assy. R.H	7-55
216407	Outer housing assembly upper steering column	7-67	216897	Tie rod lever and ball joint Assy. L.H.	7-55
216408	Rear brake assembly R.H.	8-05	216900	Upper wishbone ball joint assembly	7-54
			216901	Bolt	7-55
			216902	Lower wishbone and ball joint assembly	7-55
			216903	Ball joint	7-55

NUMERICAL INDEX

Part No.	Description	Ref.No.	Part No.	Description	Ref.No.
216907	Water shield	7-55	217512	Front road spring and damper Assy. R.H.	7-54
216909	Seal, ball joint	7-55	217513	Front road spring and damper Assy. L.H.	7-54
216915	Scissor jack	8-19	217584	Front cover	7-39
216924	Pipe, breather Car-burettor L.H.	7-33,7-54	217586	Air cleaner and silencer assembly	7-39
216939	Bearing housing Assy. complete with pulley	7-11,7-26	217606	Facia harness (Special orders when brake warning light is fitted) L.H.S.	8-43
216941	Rear road spring and damper assembly	7-63	217613	Distributor assembly 1500 cc Twin Carburettor only	8-24
216942	Front road spring and damper assembly L.H.	7-54	217636	Backplate assembly	7-39
216943	Damper assembly	7-63	217674	Tow bar kit	9-30
216965	Headlamp assembly	8-35	217728	Tandem brake master cylinder .70" dia	7-80
216966	Headlamp assembly	8-35	217757	Cyl.head gasket	7-07,7-22
216969	Facia harness	8-43	217772	Alternator assy.	8-26
216991	Starter motor	8-29	217789	Pulley,crankshaft	7-08,7-23
217031	Distributor assembly	8-23	217790	Timing cover	7-09,7-24
217037	Front side and flasher lamp RH	8-38	217820	Front cover	7-39
217038	Front side and flasher lamp L.H.	8-38	217822	Air cleaner and silencer assembly.	7-39
217049	Pulley,crankshaft	7-08,7-23	217976	Rear road spring	7-63
217058	Oil pump assembly	7-12,7-27	217986	Tie rod lever & ball joint assembly R.H.	7-55
217080	Hypoid housing assembly complete with gears 3.89:1 ratio	7-59	217987	Tie rod lever & ball joint Assy. L.H.	7-55
217081	Hypoid housing assembly complete with gears 4.1:1 ratio	7-59	217995	Battery	8-42
217192	Brake master cylinder	7-76	218051	Rear axle shaft	7-59,7-60
217276	Petrol pump assembly	7-14,7-29	218012	Rear road spring and damper assy.	7-63
217294	Dust cover R.H.	8-06	218106	Distributor	8-25
217295	Dust cover L.H.	8-06	218139	Cylinder head (1500 cc Low Comp)	7-22
217314	Main shaft	7-46	218140	Cylinder head (1500 cc High Comp)	7-22
217355	Brake pedal assembly LHS	7-46	218141	Cylinder head (1300 cc High Comp)	7-07
217376	Electric windscreen washer bottle and bracket assembly	8-35			
217401	Facia harness, Germany	8-43			
217448	Road spring L.H.	7-54			
217449	Road spring R.H.	7-54			

NUMERICAL INDEX

Part No.	Description	Ref.No.	Part No.	Description	Ref.No.
218143	Cylinder head (1300 cc low comp)	7-07	309678	Brake pipe, hose to wheel cylinder R.H.	8-08,8-09 8-15,8-16 8-10
218153	Compensator filter	7-31			
218155	Front exhaust pipe	8-16	309679	Brake pipe, Actuator to L.H. brake hose	8-10
218320	Facia harness	8-43			
218482	Strut assembly	7-55	309680	Brake pipe, hose to wheel cylinder L.H.	8-10
218757	Rear brake assy. L.H.	8-07			
218758	Rear brake assy. R.H.	8-07	309681	Brake pipe, actuator to D/E union	8-10,8-11
305570	Headlamp assembly, outer main and dip beam	8-36			
305778	Differential casing	7-61	309682	Brake pipe, union to rear hose	8-11
305946	Petrol pipe assembly	7-33			
306152	Top cover extension	7-48	309683	Brake pipe, hose to R.H. Wheel cylinder	8-11
307200	Upper wishbone arm and bush assembly	7-54	309684	Brake pipe R.H. to L.H. wheel cylinder	8-11
307522	Pinion RHS	7-68			
307523	Pinion LHS	7-68	309688	Brake pipe, master cylinder to connector	8-08
307528	Housing, rack and pinion RHS	7-68	309689	Brake pipe, master cylinder to connector	8-09
307529	Housing, rack & pinion LHS	7-68			
308086	Exhaust manifold	7-13,7-28	309690	Brake pipe, master cylinder to connector	8-08,8-09
308645	Headlamp assembly, inner, main beam	8-36	309691	Brake pipe, connector to R.H. hose	8-08,8-09
308737	Crankshaft	7-08			
308752	Rack and pinion assembly R.H.S.	7-67	309692	Brake pipe, connector to L.H. Hose	8-08,8-09
308753	Rack and pinion assembly L.H.S.	7-67			
308785	Petrol tank assembly	8-13	309693	Brake pipe connector to union	8-09,8-10
308880	Road wheel	7-64,7-65			
309012	Steering wheel	7-67	309694	Hydraulic pipe	7-85
309022	Lower link and bush Assy.	7-63	309696	Brake pipe hose to R.H. caliper	8-09,8-10
309114	Inlet manifold	7-13,7-28			
309141	Fan assembly	7-11,7-26	309697	Brake pipe, hose to L.H. caliper	8-09,8-10
309675	Brake pipe, master cylinder to actuator, front	8-10	309698	Brake pipe R.H. to L.H. wheel cylinder	8-11
309676	Brake pipe, master cylinder to actuator rear	8-10	309739	Brake pipe, master cylinder to actuator	8-10
309677	Brake pipe, actuator to R.H. brake hose	8-10	309740	Brake pipe, master cylinder to actuator	8-10

NUMERICAL INDEX

Part No.	Description	Ref.No.	Part No.	Description	Ref.No.
309752	Brake pipe (Union to valve)	8-12	402745	Front sub frame assy.	7-53
309753	Brake pipe (Valve to hose)	8-12	403031	Exhaust silencer assembly	8-16
310719	Fuel pipe	8-13	403058	Exhaust silencer assembly	8-16
310720	Fuel pipe	8-13	500047	Circlip	7-10,7-25
310721	Fuel pipe	8-13	500223	Washer, plain	8-58,8-62
311316	Front suspension unit R.H.	7-54			8-66
311317	Front suspension unit L.H.	7-54	500292	Diaphragm	7-30
311325	Harness	8-43	500293	Rocker arm link	7-14,7-29
311442	Strut assembly	7-55			7-30
311443	Vertical link	7-55	500381	Washer	8-55
311447	Friction disc	8-06	500464	Washer	7-19,7-44
311449	Vertical link	7-55	500469	Washer	7-04,7-05
311517	Harness	8-43			7-06,7-19
311553	Crankshaft	7-23	500872	Circlip	7-20,7-21
311564	Harness	8-43	500892	Pinion and sleeve assembly	7-46,7-47
311690	Air cleaner	7-17,7-35			8-27
311702	Fan assembly	7-09,7-26	500927	Bush, driving end bracket	8-27
311710	Front prop shaft	7-64			
311728	Cylinder block,1500 cc	7-09	500974	Mills pin	7-09,7-24
311768	Engine bay harness L.H.S. Germany	8-43	501128	Diaphragm spring	7-30
	Engine bay harness R.H.S. Germany	8-43	501196	Washer	7-40
311777	Manifold, inlet	7-28	501258	Washer	7-04,7-19
311925	Brake master cylinder	7-77	501451	Sealing ring	7-12
312036	Front skid plate assy.	7-65	501651	'Wellseal' jointing compound.	7-06,7-21
312050	Propellor shaft assembly	8-06			
312078	Friction disc	7-09,7-24	501704	Cap, shaft end	8-27
312188	Camshaft	8-84	501709	Nut, locating	8-27
312254	Front brake drum	8-16	501710	Spring, main	8-27,8-28
312286	Rear exhaust pipe	8-43			8-29
312323	Engine bay harness	7-14,7-29	501711	Spring, pinion retaining	8-27
312343	Petrol pump	8-13	501712	Bracket,driving end	8-27
312389	Petrol tank	8-13	501714	Armature	8-27
312390	Petrol tank	8-13	501715	Coil field set	8-27
312467	Rear exhaust pipe	7-59,7-60	501718	Brush and spring	8-22,8-23
313156	Rear axle casing	8-40			8-24
402695	Choke outer cable		501725	Bushing	8-24
			501728	Sundry parts kit	8-22,8-23

NUMERICAL INDEX

Part No.	Description	Ref.No.	Part No.	Description	Ref. No.
502136	Washer	7-67	507083	Cover retaining clip	8-22,8-23 8-24
502148	Wire, locking	7-67	507086	Screw,rim fixing	8-36
502210	Bolt, through end brackets	8-27	507153	Rocker arm	7-14,7-29 7-30
502245	Spring, lever	7-30	507158	Rocker pin	7-14,7-29 7-30
502248	Washer,fibre, spring seating	7-14,7-29 7-30	507159	Rocker arm pin retainer	7-14,7-29 7-30
502249	Washer,metal, spring seating	7-14,7-29 7-30	507262	Distance piece	8-57
502500	Screw,outlet duct attachment	8-84	507819	Screw	9-14
502544	Screw,bezel attachment	8-54	507865	Service kit	08-05
503627	Nut	8-51,8-54	508006	Pin	7-16,7-32
503684	Contact breaker base plate	8-22	508007	Circlip	7-16,7-32
503687	Insulating bush	8-22,8-23	508194	Screw	9-17
503688	Terminal insulating washer	8-22,8-23	508250	Screw	8-72
503690	Earth lead	8-22,8-23	508308	Rivet	8-58
503693	Micrometer return spring	8-22,8-23 8-24	508318	Washer	8-58
503969	Screw, jet, locking	7-16,7-32 7-34	508534	Clamping plate	8-22,8-23 8-24
504863	Spindle and rotor assembly	7-12,7-27	508545	Interior bulb holder	8-38
505100	Repair kit	7-75	508790	Screw	8-05
505136	Acme screw	8-49	508955	Water pump repair kit	7-10,7-25
505155	Clip	8-43	508978	Circlip	7-08,7-23
505237	Filter cover gasket	7-14,7-29 7-30	509108	Carburettor linkage washer	7-33
505239	Valve, petrol pump	7-30	509139	Setscrew, striker attachment	8-58,8-66
505240	Retainer	7-30	509141	Setscrew	9-14
505241	Gasket,petrol pump	7-30	509279	Screw	8-70
505260	Washer, lock	8-58,9-16	509298	Cam	8-24
505543	Filter head	7-30	509324	Shaft and action plate	8-22,8-23
506157	Jam nut	7-48	509355	Screw,securing lamp	8-39
506243	Petrol pump first aid repair kit	7-14,7-29 7-30	509495	Screw	8-70
506424	Petrol pump complete repair kit	7-14,7-29	509537	Circlip	7-55
506619	Interior bulb holder	8-37	509732	Clamping screw	8-22,8-23 8-24
506731	Setscrew	8-51,8-54 9-14	509817	Bracket,commutator end	8-27
507082	Bush, body bearing	8-22	509818	Bush,commutator bracket	8-27
			509819	Spring set,bush tension	8-27

NUMERICAL INDEX

Part No.	Description	Ref.No.	Part No.	Description	Ref.No.
509820	Sleeve	8-27	511668	Screw,securing plate washer	8-71
510249	Circlip	7-39,7-40	511705	Carburettor throttle spindle	7-34
510289	Washer	8-70	511706	Carburettor throttle disc	7-34
510368	Nut	8-40	511709	Lever, lost motion	7-34
510451	Sealing ring (For use with Purolator filter)	7-12,7-27	511710	Nut	7-34
510527	Seal	7-39,7-40	511712	Screw	7-16,7-32
510618	Nut	7-59			7-34
510638	Weight	8-22,8-23	511713	Carburettor piston lift pin	7-34
		8-24			
510650	Body primer assembly	7-14,7-29	511716	Return spring	7-16,7-32
		7-30			
510651	Priming handle set	7-30	511717	Spring, return	7-34
510814	Gasket, filler cap	7-76,7-77	511723	Bolt, pivot	7-34
		7-78,7-84	511724	Tube	7-16,7-32
510875	Glass,rear number plate lamp	8-39			7-34
510894	Adaptor and cable	8-35	511726	Stop screw	7-16,7-32
510907	Interior bulb holder, flasher	8-37			7-34
510948	Screw,securing switch	8-41	511728	Screw, jet adjusting	7-16,7-32
510995	Screw	9-10			7-34
511010	Contact breaker	8-22,8-23	511729	Washer	7-16,7-32
511013	Micrometer, knurled	8-22,8-23	511730	Spring,locking jet	7-16,7-32
511014	Micrometer ratchet spring	8-22,8-23			7-34
511031	Pin, pad retaining	8-06	511731	Carburettor jet flexible assembly	7-34
511032	Clip,securing pin	8-06	511732	Carburettor jet flexible assembly	7-34
511086	Terminal bush and lead	8-22,8-23			
511137	Plunger, cylinder	7-76,7-77	511737	Float chamber	7-16,7-32
511138	Seal, gland	7-76,7-77			7-34
		7-83	511738	Gasket	7-16,7-32
511290	Pinion and barrel	8-26,8-27			7-34
511345	Clip,switch lead to bell housing	8-42	511739	Carburettor float chamber	7-34
511394	Screw,rim fixing	8-36	511740	Carburettor float chamber grommet	7-34
511598	Rim	8-36	511743	Mounting rubber	7-34
511600	Adaptor	8-36	511745	Carburettor float chamber washer	7-34
511601	Attachment set	8-36			
511602	Gasket,lamp seating	8-36	511749	Lever assy. R.H.	7-33
511606	Light unit	8-36	511750	Lever assy. L.H.	7-33
511607	Light unit	8-36			

NUMERICAL INDEX

Part No.	Description	Ref.No.	Part No.	Description	Ref.No.
511771	Carburettor rubber washer	7-34	514214	Windscreen washer bottle filler cap	8-34
511772	Washer, brass	7-34	514438	Washer, plain	8-73
511773	Nut	7-34	514523	Circlip	7-54
511786	Screw, bezel attachment	8-54	514639	Grease, 1 lb tin.	8-19
512156	Screw	8-70	514698	Rivet	7-39,7-40
512254	Nut,securing servo and master cylinder to support bracket	7-79,7-81	514713	Rivet	7-39
512420	Gaiter assembly	7-68	514714	Pressure plate	7-39
512461	Screw	8-69	514715	Retaining clip	7-39
512544	Cover, bleed screw	8-06	514823	Screw, roof lamp attachment	8-39
512598	Setscrew	8-72	514854	Screw	8-59
512599	Screw	8-72	514901	Ball race, pinion	7-68
512609	Screw	8-72	514903	Circlip,retaining	7-68
512632	Needle & seat assembly	7-16,7-32	514906	Nipple, grease	7-68
512664	Setscrew,mounting attach.	9-04	514917	Nut	8-70
512781	Wire,Toe,Bellows retaining,Drivers side	7-68	514926	Screw	8-70,8-72
512980	Cover, fuse box	8-40	515020	Cup shaft	8-28
513063	Bleed screw	8-04,8-05	515036	Valve assembly	7-14,7-29
513394	Screw, set	9-25	515037	Valve gasket	7-14,7-29
513665	Setscrew	9-14	515039	Rocker arm spring	7-14,7-29
513666	Setscrew, lock to door	8-58	515071	Spring, brush	8-32
513679	Driving dog	8-22,8-23	515082	Locknut,thrust screw	8-32
514023	Sleeve, screwed	8-27,8-28	515094	Pivot housing assy.	8-31
514024	Cap, shaft	8-27	515100	Washer, rubber	8-31
514025	Bushing and bearing	8-27	515101	Nut,escutcheon pivot housing to body	8-31
514026	Armature	8-27	515127	Screw	8-70
514124	Battery, Lucas, Normal fitment	8-42	515128	Washer	8-70,8-73
514209	Windscreen washer motor	8-34	515149	Bleed screw	8-06
514210	Windscreen washer brush set	8-34	515154	Body	8-39
514211	Windscreen washer motor armature	8-34	515165	Cam	8-22
514212	Windscreen washer motor and pump	8-34	515166	Spring, automatic advance	8-22
514213	Windscreen washer bottle	8-34	515167	Vacuum unit	8-22
			515181	Plunger,cylinder	7-75,7-78
			515182	Seal, gland	7-75,7-78
			515183	Push rod	7-75
			515189	Battery, exide	8-42
			515225	Pivot and screw	8-40

NUMERICAL INDEX

Part No.	Description	Ref.No.	Part No.	Description	Ref.No.
515229	Spring washer	7-16,7-32	516835	Bolt	7-34
515230	Washer	7-16,7-32	516872	Screw	7-14,7-29
515231	Plain washer	7-16,7-32	516873	Filter cover	7-14,7-29
515239	Float chamber lid	7-16,7-32	516875	Diaphragm assembly	7-14,7-29
515242	Bolt	7-16,7-32	516876	Diaphragm assembly	7-14,7-29
515243	Identity label	7-16,7-32	516938	Grommet	8-77
		7-34	517009	Bolt	7-40
515297	Slave cylinder service kit	7-39,7-40	517010	Clip	7-40
			517011	Tab washer	7-40
515298	Dust cover	7-39,7-40	517012	Pressure plate	7-40
515299	Dust cover retainer	7-39,7-40	517017	Plunger	7-82
515369	Nut	8-14	517018	Plunger	7-82
515382	Hypoid housing	7-61	517019	Ring seal	7-82
515399	Lucar sleeve	8-41	517020	Dust cover	7-83
515412	Bulbholder(Trunk Illumination)	8-39	517021	Plunger	7-83
			517022	Plunger	7-83
515415/TEX	Rubber, wiper blade	8-31	517023	Ring seal	7-83
515747	Cylinder head assembly	7-06	517028	Spring	7-82
515748	Cylinder head assembly	7-06	517029	Valve stem	7-82,7-83
515789	Nut, locking	8-40	517030	Retainer	7-82,7-83
515798	Spacer(Blower Unit)	8-77	517033	Tipping valve	7-82,7-83
515799	Resistor (Blower Unit)	8-77	517037	Valve nut	7-82,7-83
515801	Runner (Blower Unit)	8-77	517038	Seal	7-82,7-83
515965	Clip	8-43	517044	Setscrew	7-82,7-83
516079	Rod, connecting and lever assembly	7-33	517045	Lockwasher	7-82,7-83
			517048	Clutch cover and straps	7-39
516107	Loctite,stud lock	7-23,7-55			
516213	Diaphragm spring	7-39,7-40	517072	Cylinder head Assy. 7.5:1 Comp. Ratio	7-21
516214	Diaphragm ring	7-39,7-40			
516218	Filler cap, master cylinder	7-77,7-78	517073	Cylinder head Assy. 7.5:1 ratio	7-21
516223	Spring plunger	7-78	517189	Through bolt	8-26
516226	Dust cover	7-75,7-76,7-77,8-10	517236	Stator	8-26
			517237	Sundry parts set	8-26
516241	Lever throttle return	7-34	517257	Bearing housing assembly	7-10,7-25
516242	Lever throttle return	7-34			
516246	Lid	7-34	517355	Ignition lead kit	8-21
516247	Lid	7-34	517647	Cover	8-26
516250	Rubber,wiper blade	8-31	517648	Regulator	8-26
516338	Gland seal	7-84	517649	Rectifier	8-26
516541	Screw	7-14,7-29	517650	Brush box assembly	8-26
516591	Nut	8-27	517651	Brush set	8-26
516592	Washer, lock	8-27	517652	Rotor	8-26
516762	Screw	8-67	517653	Slip ring	8-26

NUMERICAL INDEX

Part No.	Description	Ref.No.	Part No.	Description	Ref.No.
517654	Driving end frame bracket	8-26	518192	Washer, between grommet and motor	8-31
517655	Driving end bearing kit	8-26	518193	Bracket and pivot housing assembly	8-31
517656	Slip ring end bracket	8-26	518194	Link drive L.H.S.	8-31
517657	Slip ring end bearing kit	8-26	518195	Link cross	8-31
517933	Filler cap	7-76,7-77	518196	Spacer between screw and grommet	8-31
518041	Bulb holder, Stop/Tail	8-39	518197	Screw, motor to bracket	8-31
518042	Bulb holder, flasher	8-39	518198	Grommet	8-31,8-32
518044	Rim assembly	8-36	518199	End frame, including magnets R.H.S.	8-32
518045	Bush, rubber	8-36	518200	Armature	8-32
518080	Pin, fixed point	8-36	518201	Brush gear assembly	8-32
518081	Sleeve, sealing	8-36	518202	Cover assembly, gear	8-32
518083	Setscrew	8-69	518203	Bracket & pivot	8-31,8-32
518165	End frame, including magnets L.H.S.	8-32	518204	Link drive R.H.S.	8-31
518166	Armature	8-32	518205	End frame, including magnets L.H.S.	8-32
518167	Ball, thrust	8-32	518263	Windscreen washer motor cover & pump	8-34
518168	Bearing, thrust, nylon	8-32	518324	Fuel gauge	8-40
518169	Clip, end frame	8-32	518325	Temperature gauge	8-40
518170	Brush gear assembly	8-32	518369	Cylinder head Assy.	7-06
518171	Cover assembly	8-32	518449	Lead, battery to solenoid switch	8-42
518172	Contact assembly	8-32	518450	Lead, solenoid starter to starter motor	8-42
518173	Brush and terminal	8-32	518451	Lead, battery to earth	8-42
518174	Brush and Terminal	8-32	518509	Bolt	9-25
518175	Brush	8-32	518514	Screw	8-74,8-75
518176	Terminal	8-32	518584	Gasket, bolt head	7-15,7-37
518177	Screw, terminal	8-32	518587	Choke, inner cable	8-40
518178	Screw, thrust	8-32	518590	Choke outer cable primary	8-40
518179	Retainer, wormwheel	8-32	518646	Screw	8-82
518180	Wormwheel and pinion	8-32	518688	Coil to Distributor lead (Low tension)	8-21
518181	Washer, thrust	8-32	518725	Screw	8-53
518182	Shaft and gear	8-32	518727	Light unit	8-35
518183	Washer, thrust	8-32	518750	Windscreen washer motor	8-34
518184	Crank and pinion assembly	8-32			
518185	Rubber, sealing	8-32			
518186	Washer	8-32			
518187	Nut, crank	8-32			
518188	Gear housing with bearings	8-31			
518189	Clip, links to pivot	8-31			
518190	Clip, links to pivot	8-31			
518191	Bush, self-aligning	8-31			

NUMERICAL INDEX

Part No.	Description	Ref.No.	Part No.	Description	Ref.No.
518751	Windscreen washer bottle	8-34	518926	Float chamber	7-16,7-32
518767	Screw	8-74,8-75	518934	Lead,battery to starter motor	8-42
518808	Bulb	8-38	518940	Reflex assembly (Red)	8-39
518843	Crownwheel and pinion assembly 4.11:1 ratio	7-62	518954	Block, radiator	8-17
518844	Crownwheel and pinion assembly 3.89:1 ratio	7-62	518955	Block, radiator	8-18
518850	Harness sleeve	8-43	518956	Bracket, mounting top R.H.	8-17,8-18
518879	Top cover extension and hand lever assembly	7-48	518957	Bracket, mounting top L.H. side	8-17,8-18
518880	Carburettor throttle spindle	7-16,7-32	518958	Bracket, mounting bottom R.H.	8-17
518881	Throttle disc	7-16,7-32	518959	Bracket, mounting bottom L.H.	8-17
518882	Washer, tab	7-16,7-32 7-34	518960	Bracket, mounting bottom R.H.	8-18
518883	Cam lever	7-16,7-32	518961	Bracket, mounting bottom L.H.	8-18
518884	Spring, cam lever	7-16,7-32	518969	Rear axle assembly 3.89:1 ratio	7-59
518885	Pivot bolt	7-16,7-32	518983	Setscrew	9-09,9-12
518886	Tube	7-16,7-32 7-34	519024	Hypoid housing Assy.	7-62
518887	Skid washer	7-16,7-32	519025	Setscrew	8-33
518888	Distance washer	7-16,7-32 7-34	519030	Setscrew, mirror attachment	8-68
518889	Bracket	7-16,7-32	519031	Setscrew	8-57
518890	Jet bearing	7-16,7-32	519032	Setscrew	8-17,8-18
518895	Adaptor	7-16,7-32	519033	Setscrew	8-13,8-14 8-50,8-73 8-75,8-76
518896	Needle spring	7-16,7-32	519034	Setscrew	7-73,7-74 8-78
518897	Needle guide	7-16,7-32 7-34	519038	Screw	8-59
518898	Jet needle	7-16,7-32	519040	Setscrew	7-73,7-74 7-76,8-17 8-18,8-74 8-75
518903	Lug bolt	8-42	519041	Setscrew	9-08
518904	Lug nut	8-42	519129	Rear axle assembly 4.11:1 ratio	7-59
518911	Rear axle assembly, 4.11:1 ratio	7-59	519130	Rear axle assembly 3.89:1 ratio	7-59
518916	Rubber gaiter	7-54			
518922	Carburettor body	7-16,7-32			
518923	Pick up lever and link assembly	7-16,7-32			
518924	Jet assembly	7-16,7-32			
518925	Suction chamber and piston assembly	7-16,7-32			

NUMERICAL INDEX

Part No.	Description	Ref.No.	Part No.	Description	Ref.No.
519140	Screw	9-10	519297	Cylinder head Assy.	7-21
519145	Circlip	7-64		9.1 Comp. Ratio	
519162	Setscrew	8-66		less valves & springs	
519163	Setscrew	8-66	519298	Engine unit 9.1	7-19
519164	Setscrew	9-04		compression ratio	
519166	Bolt	8-08,8-09	519299	Engine unit 7.5:1	7-19
519167	Setscrew	8-49		compression ratio	
519168	Setscrew	9-07	519305	Base plate assy.	7-17,7-35
519170	Setscrew(with captive washer)	8-31	519306	Shouldered bolt	7-17,7-35
			519307	Air cleaner shell assembly	7-17,7-35
519171	Setscrew(with captive washer)	8-42			
519192	Lens(White side/Amber flasher)	8-37	519308	Needle securing screw	7-16,7-32
519194	Lens(White side/White flasher)	8-38			
519195	Gasket, lens	8-37	519311	Screw,lamp to body	8-37
519196	Gasket, lamp base	8-37	519312	Screw,lamp to body	8-37
519197	Lens, stop/tail R.H.lamp	8-39	519315	Setscrew	7-73,7-74
519198	Lens, stop/tail L.H. lamp	8-39	519357	Driven plate facing package	7-39
519201	Lens, flasher, R.H.lamp	8-39	519358	Driven plate facing package	7-40
519202	Lens, flasher L.H. lamp	8-39			
519206	Gasket, lens	8-39	519365	Reflex assy.(Amber)	8-37
519211	Engine unit 8.5:1 compression ratio	7-04	519432	Rim, retaining	8-35
519212	Engine unit 7.5:1 compression ratio	7-04	519433	Rim, unit seating	8-35
519215	Engine conversion gasket set	7-04,7-19	519449	Push rod assembly	7-76,7-77
519249	Setscrew	8-21,8-39	519510	Fan belt/hose kit	9-30
519250	Cover, tubes and valves assembly	7-14,7-29	519551	Brush set	8-29
519296	Cylinder head assembly 9.1 compression ratio complete with valves and springs	7-21	519552	Commutator end bracket	8-29
			519553	Through fixing bolt	8-29
			519554	Drive	8-29
			519555	Drive retention kit	8-29
			519556	Lever and pivot	8-29
			519557	Pivot retention ring	8-29
			519558	Retention kit	8-29
			519559	Fixing bracket	8-29
			519560	Fixing bracket grommet	8-29
			519561	Bush kit	8-29

NUMERICAL INDEX

Part No.	Description	Ref.No.	Part No.	Description	Ref.No.
519562	Solenoid	8-29	519766	Washer, securing servo & master cylinder to support bracket	7-79,7-81
519563	Field coil kit	8-29			
519564	Armature	8-29			
519565	Armature retention kit	8-29			
519566	Sundry parts	8-28,8-29	519768	Reservoir	7-82,7-83
519596	Contact breaker base plate	8-23	519769	Filler cap	7-82,7-83
519597	Cam	8-23	519771	Hypoid housing Assy. complete with gears 3.89:1 ratio (Reconditioned unit)	7-60
519598	Spring, automatic advance	8-23			
519599	Vacuum unit	8-23	519772	Hypoid housing Assy. complete with gears 4.11:1 ratio (Reconditioned unit)	7-59
519600	Bush, body bearing	8-23			
519614	Rear carburettor assy.	7-33			
519615	Front carburettor assy.	7-33			
519669	Cover and straps sub-assembly	7-40	519774	Hypoid housing Assy. complete with gears (Reconditioned unit)	7-60
519670	Spring washer	8-29			
519671	Nut	8-29	519775	Hypoid housing Assy. complete with gears (Reconditioned unit)	7-59
519695	Dust cover	8-05,8-07			
519748	Steady rest kit, retaining brake shoes	8-04	519797	Adjuster L.H.	8-07
519749	Bridge pipe, top to bottom cylinder	8-04	519798	Adjuster R.H.	8-07
519751	Spring, shoe return	8-04	519799	Lever, handbrake L.H.	8-07
519754	Washer	8-04	519800	Lever, handbrake R.H.	8-07
519755	Steady rest kit, retaining brake shoes	8-07	519801	Spring, shoe return abutment end	8-07
519757	Spring, shoe return cylinder end	8-05	519802	Spring, shoe return cylinder end	8-07
519758	Plate, spring, wheel cylinder retaining	8-05,8-07	519811	Bracket, commutator end	8-28
519759	Lever handbrake	8-05	519812	Bush kit	8-28
519760	Plate, support, lever attachment	8-05	519813	Drive, jump ring	8-28
519761	Clip	8-05	519814	Washer, buffer	8-28
519762	Adjuster assembly	8-05	519815	Armature	8-28
519763	Servo unit, type 28 supervac	7-79,7-81	519816	Field coil	8-28
519764	Minor service kit servo unit	7-79,7-81	519817	Bracket, driving end	8-28
519765	Non-return valve kit, servo unit	7-79,7-81	519826	Windscreen washer motor armature	8-34
			519929	Cylinder block assy.	7-04
			519958	Lens, side lamp	8-37
			519959	Light shield	8-37
			519961	Gasket, rubber	8-37

NUMERICAL INDEX

Part No.	Description	Ref.No.	Part No.	Description	Ref.No.
519962	Fibre washer	8-37	520239	Centre bearing	7-65
519963	Rubber boot,R.H. lamp	8-37	520241	Tab washer	7-65
519964	Rubber boot L.H. lamp	8-37	520242	Bolt	7-65
519966	Cap, filler	7-84	520244	Cylinder block (1300cc)	7-04
519969	Master cylinder	7-81,7-84	520245	Cylinder block (1500cc)	7-19
519978	Master cylinder	7-79,7-82	520247	Washer	7-65
519999	Gearbox extension assy.	7-43	520250	Cable clip	8-77
520051	Vertical link and hub RH	7-54	520426	Gearbox assy.	7-43
520052	Vertical link and hub LH	7-54	520429	Top cover assembly	7-45
520076	Regulator,alternator	8-26	520447	Rear axle casing	7-59,7-60
520077	Rectifier,alternator	8-26	520542	Decorative strip (Tail lamp)	8-39
520111	Continental touring kit	9-30	520704	Cylinder head assy. high compression	7-07
520144	Switch,hazard warning	8-40	520705	Cylinder head assy. low compression	7-07
520145	Nacelle,hazard warning switch	8-40	520706	Decarbonising gasket set	7-04,7-19
520152	Plate, contact breaker base	8-24	520756	Cylinder head assy. high compression	7-22
520153	Vacuum unit	8-24	520757	Cylinder head assy. low compression	7-22
520154	Spring set,automatic advance	8-24	520909	Distributor cam	8-25
520185	Cam lever, rear carb.	7-34	520910	Spring set	8-25
520186	Pick-up lever assembly front carburettor	7-34	520911	Vacuum unit	8-25
520187	Pick-up lever assembly rear carburettor	7-34	520923	Continental touring kit	9-30
520188	Return spring, cam lever front carburettor	7-34	520954	Piston(Brake Caliper)	8-06
520189	Suction chamber and piston assembly	7-34	520957	Service Kit(Brake caliper)	8-06
520190	Screw, needle	7-34	520963	Rear brake shoe lining pack	8-07
520191	Needle assembly	7-34	520965	Rear brake shoe lining pack	8-05
520198	Screw	8-58,8-62	520969	Air control valve	8-77
520212	Screw(Petrol pump)	7-14,7-29	520978	Motor and mounting plate R.H.S	8-77
520213	Washer(Petrol pump)	7-14,7-29			
520214	Cover(Petrol pump)	7-14,7-29			
520215	Screen(Petrol pump)	7-14,7-29			
520216	Gasket(Petrol pump)	7-14,7-29			
520217	First aid kit (Petrol pump)	7-14,7-29			

NUMERICAL INDEX

Part No.	Description	Ref.No.	Part No.	Description	Ref.No.
520979	Harness (R.H.S. Blower Unit)	8-77	545180	Drivers handbook, 1500cc Model, Dutch	8-19
520980	Harness (R.H.S. Blower Unit)	8-77	545181	Drivers handbook, 1500cc Model, Danish	8-19
520981	Inlet seal	8-77	545182	Drivers handbook, 1500cc Model, Swedish	8-19
520982	Insulator	8-77	545183	Drivers handbook, 1500cc Model, Finnish	8-19
520983	Motor and mounting plate L.H.S.	8-77	545184	Drivers handbook, 1500cc Model, Spanish	8-19
520984	Harness (L.H.S. Blower Unit)	8-77	545185	Drivers handbook, 1500cc Model, Portuguese	8-19
520985	Harness (L.H.S. Blower Unit)	8-77	545197	Workshop Manual, Danish	8-19
521007	Handbrake operating lever L.H.	8-07	545198	Binder (Time Schedule English)	8-19
521008	Handbrake operating lever R.H.	8-07	545198B	Repair Time Schedule English	8-19
521069	Gearbox assembly (Reconditioned)	7-43	545199	Binder (Time Schedule French)	8-19
521128	Circlip	7-82, 7-83	545199B	Repair Time Schedule French	8-19
521129	Spring	7-82, 7-83	545200	Binder (Time Schedule German)	8-19
521130	Push rod	7-83	545200B	Repair Time Schedule German	8-19
521131	Service kit	7-83	545201	Binder (Time Schedule Italian)	8-19
521152	Seal	7-82, 7-83	545201B	Repair Time Schedule Italian	8-19
521154	Service kit	7-76, 7-77	545202	Binder (Time Schedule Dutch)	8-19
521155	Service kit	7-76, 7-77	545202B	Repair time Schedule Dutch	8-19
521156	Service kit	7-84	545203	Binder (Time Schedule Swedish)	8-19
521157	Service kit	7-82	545203B	Repair Time Schedule Swedish	8-19
545116	Drivers handbook, 1300cc Model, English	8-19	545204	Binder (Time Schedule Danish)	8-19
545120	Drivers handbook, 1500cc Model, French	8-19	545204B	Repair Time Schedule Danish	8-19
545121	Drivers handbook, 1500cc Model, German	8-19			
545140	Drivers handbook (English)	8-19			
545168	Workshop Manual, English	8-19			
545169	Workshop Manual, French	8-19			
545170	Workshop Manual, German	8-19			
545171	Workshop Manual, Italian	8-19			
545172	Workshop Manual, Dutch	8-19			
545173	Workshop Manual, Swedish	8-19			
545174	Workshop Manual, Spanish	8-19			
545179	Drivers handbook, 1500cc Model, Italian	8-19			

NUMERICAL INDEX

Part No.	Description	Ref.No.	Part No.	Description	Ref.No.
545205	Binder (Time Schedule) Spanish)	8-19	557222	Rivet	8-57
545205B	Repair Time Schedule Spanish	8-19	559980	Screw, control cable	8-76
545224	Passport to Service, French	8-19	560632	Exterior mirror	8-69
545225	Passport to Service, German	8-19	561210	Rivet, mat fixing	9-07
545226	Passport to Service, Dutch	8-19	561785	Hog ring, squab cover attachment	9-22,9-24
545227	Passport to Service, Danish	8-19	563032	Back plate	9-08,9-11
545228	Passport to Service Italian	8-19	563769	Rivet	9-05,9-07
545229	Passport to Service, Portuguese	8-19	564832	Setscrew, fitted to end of release cable	8-55
545230	Passport to Service Swedish	8-19	565746	Stud, mat fixing	9-07
545231	Passport to Service English (Continental)	8-19	565756	Cap	9-08,9-11
545232	Passport to Service English (Home)	8-19	566141	Rivet, guide spring to door	8-56
545235	Passport to Service Spanish	8-19	569214	Washer, waved	8-55
545236	Passport to Service Norwegian	8-19	569313	Rivet, headlamp attachment	8-35
545237	Passport to Service Finnish	8-19	569944	Diaphragm, seat base	9-09,9-12
545269	Binder (Time Schedule Portuguese)	8-19	570255	Rivet	8-57,8-65
545269B	Repair Time Schedule (Portuguese)	8-19	570907	Spring, locking ring	8-78
550029	Washer, waved	7-71	570908	Circlip, retaining spring on housing	8-78
551490	Clip	8-37	572545	Pin, securing locking device in bearing piece	8-78
553033	Clip, fitted on bracket on rocker cover R.H.S.	8-40	572547	Circlip, retaining bearing piece in bush	8-78
553252	Button, mat fixing	9-07	572569	Stud	8-80
553732	Clip	8-43	573018	Ring, pronged	9-05
554127	Rivet	8-57	573074	Locking plate	8-57,8-66
554407	Rivet	8-43	573075	Top pivot outer bracket R.H.	8-57,8-66
554517	Socket, mat fixing	9-07	573076	Top pivot outer bracket L.H.	8-57,8-66
556141	Rivet, guide to spring to door	8-58	573077	Handle bracket R.H	8-57,8-66
			573078	Handle bracket L.H	8-57,8-66
			573079	Locking Handle R.H	8-57,8-66
			573080	Locking handle L.H	8-57,8-66
			573081	Pin	8-57,8-66
			573082	Rivet	8-57,8-66
			573083	Glazing strip	8-57,8-66
			573086	Pivot stop	8-57,8-66

NUMERICAL INDEX

Part No.	Description	Ref.No.	Part No.	Description	Ref.No.
573087	Plain washer	8-57,8-66	576454	Front wing assembly	8-48
573088	Thackery Washer	8-57,8-66		R.H.	
573089	Split pin	8-57,8-66	576547	Body assembly,painted	8-47
573090	Clip	8-57,8-66		and trimmed with	
573414	Frame assembly outer	8-57,8-66		seats L.H.S.	
	L.H.		576548	Body assembly,painted	8-47
573415	Frame assembly outer	8-57,8-66		and trimmed with	
	R.H.			seats R.H.S.	
573901	Screw	8-57,8-66	576549	Body assembly,painted	8-47
574432	Inner frame glazed	8-57,8-66		and trimmed, less	
	assembly L.H.			seats L.H.S.	
574433	Inner frame glazed	8-57,8-66	576550	Body assembly,painted	8-47
	assembly R.H.			and trimmed, less	
574581	Retainer knob	8-59		seats R.H.S.	
574655	Mirror head	8-69	576692	Bush,brass,flanged	8-47
574657	Mirror collar	8-69	576693	Stud shouldered	8-53
574820	Pop rivet	8-48	577190	Body Assy. painted	8-47
575262	Nut, fix	8-70		and trimmed with	
575755	Stud,facing attachment	8-71		seats L.H.S.	
575756	Stud,securing vent	9-08	577191	Body Assembly,painted	8-47
575757	Stud,securing bracket	8-71		and trimmed,with	
575803	Rivet	8-53,8-54		seats R.H.S.	
575937	Screw	9-04	577192	Body assembly,painted	8-47
576382	Body assembly,painted and	8-46		and trimmed, less	
	trimmed with seats R.H.S			seats L.H.S.	
	(2 door,2 headlamp type		577193	Body assembly,painted	8-47
	vehicle)			and trimmed, less	
576383	Body assembly,painted and	8-46		seats R.H.S.	
	trimmed,with seats L.H.S		577194	Body Assembly,painted	8-47
	(2 door,2 headlamp			and trimmed with seats	
	type vehicle)			L.H.S.(T/C model with	
576384	Body assembly,painted and	8-46		reclining front seats)	
	trimmed,less seats R.H.S		577195	Body Assy.Painted and	8-46
	(2 door,2 headlamp			trimmed with seats	
	type vehicles)			L.H.S.(2 door,4 head-	
576385	Body assembly,painted and	8-46		lamp type vehicles)	
	trimmed,less seats L.H.S.		577196	Body Assy.painted &	8-46
	(2 door,2 headlamp			trimmed with seats	
	type vehicle)			R.H.S.(2 door,4 head-	
576453	Front wing assembly L.H.	8-48		lamp type vehicle)	

NUMERICAL INDEX

Part No.	Description	Ref.No.	Part No.	Description	Ref.No.
577197	Body assembly, painted and trimmed,less seats L.H.S. (2 door, 4 head-lamp type vehicle)	8-46	608511	Clip,trimboard to heater box	8-73
577198	Body assembly, painted and trimmed,less seats R.H.S.(2 door, 4 head-lamp type vehicle)	8-46	608516	Clip,trimboard to parcel tray	8-73
577209	Control lever, heater	8-76	608522	Clip,securing water curtain	8-59
577221	Grille surround kit	8-53	608540	Push button	8-57
577222	Bottle, washer	8-33	608542	Push button spring	8-57
577223	Cap and tube assembly,washer bottle	8-33	608604	Clip,securing seal	8-56
577241	Lock set R.H.S.	7-67,8-59	608817	Clip	9-10,9-13
600399	Blanking Plug	9-29	608862	Clip	9-10,9-13
577242	Lock set L.H.S.	7-67,8-59	609123	Trunnion,control cable	8-76
577305	Body assembly - 4 door R.H.S.	8-47	609184	Blanking Plug	9-29
577306	Body assembly - 4 door R.H.S.	8-47	609185	Blanking plug	9-29
600400	Blanking plug	9-29	609189	Blanking Plug	9-29
600832	Pin,securing handle	8-59,8-70	609191	Blanking Plug	9-29
601761	Cap, filler	8-13	609412	Button, millboard to dash deck	8-73
603147	Grommet filler neck	8-13	609413	Clip	9-07
603344	Spring,guide check arm	8-56,8-60	609677	Dash,front assy.RHS	8-48
603556	Rubber plug	9-29	609678	Dash,front Assy. LHS	8-48
603559	Clip,harness attachment	8-48	609680	Glove box lid	8-72
603740	Device, locking	8-78	609742	Clip,securing seal	9-10
604132	Tubing	8-33,8-34	609748	Glove box lid lock	8-72
604146	Tubing	8-33,8-34	609795	Bezel	8-40
604610	Spring,check link	8-64	610170	Link,door check	8-56,8-60
605358	Blanking plug	9-13	610520	Clip	9-10
605953	Sleeve, terminal	8-41	610677	Seal, mudshield panel to wing	8-48
606002	Spring, escutcheon	8-59,8-67	610707	Rivet	8-56,8-60
606240	Courtesy light switch	8-41,8-72	611177	Washer	7-48
607288	Clip,securing listing rail	8-86	611339	Spring check link	8-64
607330	Sealing plug	9-29	611437	Cover,finisher joint	8-68
607823	Pin, hinge	8-56	611768	Clip	9-09
			611854	Stud	9-05
			612219	Trunnion,fitted to end of release cable	8-55
			612261	Clip,diaphragm attachment	9-09
			612273	Spring	9-10

NUMERICAL INDEX

Part No.	Description	Ref.No.	Part No.	Description	Ref.No.
612601	'T' piece	8-33	616895	Air duct assembly	8-48
612988	Buffer bracket	8-72	616904	Panel,dash front to closing panel L.H.	8-48
613051	Rod, battery, front	8-42	616905	Panel,dash front to closing panel R.H.	8-48
613775	Clip securing trim pad	8-59,8-86	616982	Trunk lid operating knob assembly	8-78
613846	Channel, glass, front	8-65	616986	Ring,locking housing in trunk lid	8-78
613848	Rear channel	8-57	616987	Screw, retaining operating cam	8-78
613849	Channel, front and rear	8-65	616989	Washer,seating, between knob & panel	8-78
613863	Rubber buffer	8-72	616990	Spring,between bearing piece & bush	8-78
613960	Finisher, windscreen	8-68	617018	Bracket L.H.	8-50
614006	Bush, badge to front panel	8-53,8-56	617019	Bracket R.H.	8-50
614020	Joint,finisher, rear roof moulding	8-84	617021	Bonnet catch plate assembly	8-55
614107	Clip,moulding attachment	8-84	617030	Bonnet striker pin assembly	8-55
615707	Clip,fitted to bracket on rocker cover L.H.S.	8-40	617081	Blanking plug	9-29
615888	Knob, sill link	8-58,8-62	617163	Glazing strip	8-57,8-61
615924	Clip	8-43	617188	Front channel	8-57,8-61
616011	Hose	7-39	617189	Channel,glass,door	8-65
616048	Washer, P.V.C.	8-40	617192	Top channel	8-57,8-60
616050	Washer, rubber	8-40	617206	Glass,bottom channel	8-57,8-60
616327	Panel L.H.	8-52	617243	Clip,moulding attachment	8-82,8-83
616328	Panel R.H.	8-52	617248	Bracket, roof lamp	8-51
616339	Plate,tapped, hinge	8-60	617251	Roof panel Assy.	8-51,8-52
616340	Retainer,tapped,plate	8-60	617277	Rubber pad,battery base	8-42
616356	Front door glass run channel L.H.	8-61	617319	Seal,parcel tray	8-76
616357	Front door glass run channel R.H.	8-61	617320	Door waist,inner seal	8-60,8-64
616393	Hinge assembly, door	8-56,8-60	617323	Front door seal, waist inner	8-56
616396	Hinge assembly, lower	8-64	617408	Lock set assembly	8-78
616417	Check link assembly	8-64	617429	Headlining assembly	8-86
616423	Clip	9-14			
616633	Spring,trunk lid lock	8-78			
616773	Spirenut,securing lamp to trunk lid	8-39			
616868	Hook, spare wheel retaining clip	8-50			
616889	Tie bracket, listing rail	8-51			

NUMERICAL INDEX

Part No.	Description	Ref.No.	Part No.	Description	Ref.No.
617430	Hinge, upper assembly	8-64	619669	Door ventilator filler	8-59,8-61
617431	Hinge, upper assembly	8-64	619736	Strap, reinforcement	8-72
617462	Mounting, sun visor	8-68	619737	Angle, parcel tray support L.H.	8-72
617636	Glove box striker	8-66	619738	Angle, parcel tray support R.H.	8-72
617637	Facia end finisher L.H.	8-70	619812	Gear lever gauntlet insert	9-04
617638	Facia end finisher R.H.	8-70	619851	Bracket	8-72
617822	Spacer bracket	8-50	620669	Retainer, ashtray	8-59,8-62 8-67,9-05
617884	Attachment clip	9-07	620999	Clip, retaining rear seat squab	8-50
617885	Felt strip, spare wheel storage	8-13,8-85	621069	Grommet, engine bay valance	8-08,8-09
617889	Seal, sponge, petrol tank drainage	8-13	621271	Plate, reinforcement	8-49
617997	Rubber buffer	8-57,8-65	621374	Washer, waved	9-25
618011	Door draught excluder (Black)	9-04	621510	Spacer	8-40
618012	Door draught excluder (Red)	9-04	621535	Nut	8-53,8-55
618017	Door draught excluder (Shadow Blue)	9-04	621688	Bracket	8-64
618018	Door draught excluder (Grey)	9-04	621768	Knob, handle	8-59,8-63
618043	Door draught excluder (New Tan)	9-04	621811	Window regulator handle	8-59,8-63
618117	Jet assembly	8-33,8-34	622033	Screw, set	8-64
618120	Non-return valve	8-33	622153	Outlet duct bezel	8-84
618175	Hinge, male	8-72	622443	Bezel	8-40
618176	Hinge, female	8-72	622682	Nut, spacer	8-40
618187	Coat hook	9-04	623072	Hose	8-76
618270	Water curtain lock	8-59,8-63	623173	Bonnet stay rod Assy.	8-55
618286	Bracket, speedo trip reset	8-70	623313	Clip, brake pipe	8-08,8-10 8-11
618374	Plate, exhaust pipe	8-50	623844	Washer, rubber	8-53
618393	Nut, acorn cap	8-73	624155	Clip, brake and petrol pipes	8-10,8-14
618449	Grub screw	8-76	624309	Heater control bracket	8-71
618779	Demister grille bracket	8-70	624334	Moulding, passengers side, facia	8-71
618795	Washer, special	8-79	624335	Glove box lid Mldgs.	8-72
618944	Ferrule	9-04	624369	Spring, fitted in clamp	8-74
619101	Rivet, securing seal	8-36	624373	Plate, striker reinforcement L.H.	8-52
619431	Trunk lid striker	8-78	624374	Plate, reinforcement striker R.H.	8-52
619551	Bonnet buffer	8-55			
619615	Cup washer	9-14			
619638	Reinforcement, air duct	8-48			
619641	Clip, cable	8-78			

NUMERICAL INDEX

Part No.	Description	Ref.No.	Part No.	Description	Ref.No.
624377	Clamp, upper	8-74,8-75	625650	Headrest hinge R.H.	9-14
624378	Clamp, lower	8-74	625686	Headrest cover	9-14
624535	Trunnion	9-06		finisher	
624549	Bellcrank rod	9-12	625750	Bracket,petrol tank	8-50
624550	Bellcrank rod	9-12		mounting	
624552	Catch lever	9-09	625752	Bracket,spare wheel	8-50
624553	Spring,tilt restraint	9-09		cover board	
	L.H. seat		625889	Guide, bonnet stay	8-48
624554	Spring,tilt restraint	9-09	625895	Clip	8-76
	R.H. seat		625944	Sealing plate	9-29
624556	Bellcrank,headrest	9-12	626369	Angle,rear squab	8-50
	release			support, lower	
624562	Mirror base	8-69	626526	Guide plate,headrest	9-14
624565	Head	8-69		lock	
624571	Knob	9-10	626532	Strap,lock retaining	9-14
624636	Backing rubber	9-08	626545	Catch bracket	9-14
624660	Bolt	9-09	626586	Hinge assembly,bonnet	8-55
624823	Interior mirror assembly	8-68	626592	Plate,tapped,bonnet	8-48
624868	Tunnel bracket	9-26		hinge	
624903	Squab support board R.H.	9-20	626621	Headrest pad	9-14
624904	Squab support board L.H.	9-20	626683	Packing rubber	9-08
624905	Waved washer	9-26	626697	Eyelet,sill link	8-59,8-67
624906	Collar spacer	9-26		knob	
624907	Collar spacer	9-26	626698	Washer,sill link	8-59,8-67
624908	Plain washer	9-26		knob	
624909	Spacer	9-26	626725	Tunnel bracket	9-25
624913	Cap	9-26	626943	Bracket,headlamp	8-48
624914	Cover	9-26		support	
625065	Body shell(4 door RHS)	8-47	627242	Plate,seal retaining	8-36
625074	Tonneau side Assy. R.H.	8-52	627243	Seal,headlamp,outer	8-36
625075	Tonneau side Assy. L.H.	8-52	627254	Nameplate, Triumph	8-54
625077	Spacer	8-81	627320	Clip,anti-rattle	8-66
625150	Retaining strap(Spare	8-78	627360	Clip	8-66,9-12
	Wheel)		627361	Clip, finisher	8-82,8-83
625151	Retaining strap(Spare	8-78		attachment	
	wheel)		627362	Clip,moulding attach.	8-84
625521	Clip,pipe to dash	8-08,8-09	627474	Seal,rubber,heater	8-76
	centre			pipe	
625536	Nut	7-48	627475	Retainer, seal	8-76
625612	Friction clip	8-57	627480	Sill flange finisher	8-82
625624	Nut	8-76		door	
625633	Headrest lock	9-14	627481	Finisher,sill flange	8-83
625644	Water bottle carrier	8-33		front door	
625649	Headrest hinge L.H.	9-14	627482	Finisher,sill flange	8-83
				rear door	

NUMERICAL INDEX

Part No.	Description	Ref.No.	Part No.	Description	Ref.No.
627503	Ashtray assembly	8-59,8-63 8-67	629008	Bracket,inner,grille and headlamp surround support	8-48
627563	Nameplate, Triumph	8-78	629009	Bracket,outer,grille& headlamp surround suppt.	8-48
627566	End cap, vertical	8-82,8-84 8-83	629084	Bracket,exhaust Mtg	8-49
627567	End cap,10 degrees	8-84	629143	Nave plate	7-64,7-65
627568	End cap,10 degrees	8-84	629170	Control cable,blower air valve	8-76
627569	End cap 45 degrees	8-82,8-83	629196	Clip	9-09
627570	End cap,45 degrees	8-82,8-83	629200	Spare wheel retaining strap(required when 5.20 x 13 tyres are fitted)	8-78
627648	Cover	9-25	629201	Spare wheel retaining strap(required when 155-13 tyres are fitted)	8-78
627649	Cap	9-25	629263	Badge Assy. Toledo	8-53,8-54
627740	Front door courtesy light switch	8-41	629270	Rod, battery, rear	8-42
627761	Clip,retaining rear seat squab	8-50	629352	Retaining ring	7-48
627762	Bracket,radiator fixing L.H.	8-48	629422	Nameplate, Toledo	8-78
627764	Bracket, radiator fixing R.H.	8-48	629518	Spacer	9-25
627775	Bolt,securing seat belts	9-25	629751	Dash side trim panel assembly L.H.(Black)	9-04
627803	Spacer	9-25	629752	Dash side trim panel Assy. L.H.(Burgandy)	9-04
627945	Fibre washer	9-25	629753	Dash side trim panel assy. L.H.(New Tan)	9-04
628011	Rivet, inner grille attachment	8-54	629757	Dash side trim panel Assy L.H.(Shadow Blue)	9-04
628012	Clip,link to remote control handle	8-58,8-62 8-66	629761	Dash side trim panel Assy. R.H. (Black)	9-04
628054	Moulding, rear quarter	8-83	629762	Dash side trim panel Assy. R.H.(Burgandy)	9-04
628184	Bracket,brake pipe L.H.	8-48	629763	Dash side trim panel Assy. R.H.(New Tan)	9-04
628185	Bracket,brake pipe R.H.	8-48	629767	Dash side trim panel Assy. R.H.(Shadow Blue)	9-04
628223	Bracket, handbrake compensator support	8-49	630062	Insulation pad,gear-box cover L.H. side front	8-85
628379	Strip, foam seal	8-58,8-62 8-66			
628391	Escutcheon	8-63,8-67			
628401	Bracket,brake hose support	8-50			
628416	Washer, sealing	8-13			
628580	Seal, headlamp	8-35			
629003	Windscreen washer support bracket	8-34			
629005	Spacer	8-79			

NUMERICAL INDEX

Part No.	Description	Ref.No.	Part No.	Description	Ref.No.
630063	Insulation pad, gearbox cover R.H. side, front	8-85	631724	Link R.H.	8-58
630065	Sealing plug	9-29	631726	Interior lamp assy.	8-39
630066	Sealing plug	9-29	631727	Lamp base	8-39
630225	Nut	8-39	631728	Lamp lens	8-39
630403	Harness clip	8-43	631729	Lamp bulb	8-39
630430	Clamp, lower	8-75	632091	Mirror head	8-69
630431	Bolt,securing support and tube to clamp	8-75	632098	Mirror assembly	8-69
630503	Bolt	9-26	706919	Grommet	7-48
630505	Bolt	9-26	708313	Bracket check strap	8-52
630534	Retainer, moulding attachment	8-84	708319	Door glass stop brkt.	8-57
630601	Gear lever Gauntlet (Black)	9-04	708331	Door glass stop	8-65
630602	Gear lever gauntlet (Burgundy)	9-04	708500	Backlight glass	8-78
630603	Gear lever gauntlet (New Tan)	9-04	708521	Trunk lid lock Assy.	8-78
630607	Gear lever gauntlet (Shadow Blue)	9-04	708550	Capping,tonneau side to roof L.H.	8-78
630661	Grommet	7-15,7-31	708551	Capping,tonneau side to roof R.H.	8-84
630663	Anchor bolt	9-26	708593	Front tread plate	8-83
630896	Cable clip	7-81	708656	Listing Rail No.1.	8-86
630972	Check link	8-72	708657	Listing rail No.2.	8-86
631001	Buffer	8-72	708658	Listing rail No.3.	8-86
631169	Bracket,battery rod	8-42	708659	Listing rail No.4.	8-86
631178	Harness clip	8-43	708660	Listing rail No.5.	8-86
631190	Rubber washer	8-79	708692	Weatherstrip	8-65
631262	Release inner	9-06	708693	Weatherstrip	8-65
631263	Release outer cable	9-06	708739	Gusset,trunk gutter L.H.	8-51,8-52
631401	Interior mirror	8-68	708740	Gusset, trunk gutter R.H.	8-51,8-52
631405	Body shell R.H.S.	8-47	708771	Glass 'D' light	8-65
631490	Spacer	8-80,8-81	708817	Front door glass L.H	8-61
631519	Insulation pad L.H.	8-85	708818	Front door glass R.H	8-61
631520	Insulation pad R.H.	8-85	708825	Rear door glass and regulator channel LH	8-65
631546	Naveplate	7-64,7-65	708826	Rear door glass and regulator channel RH	8-65
631587	Snap sack	8-73	708907	Door seal	8-60,8-61
631588	Trim clip	8-73	708908	Door seal	8-60,8-64
631631	Interior mirror	8-69	709031	Rear parcel shelf trim panel assembly (Black)	8-86
631690	Lamp bracket	8-52	709032	Rear parcel shelf trim panel Assy. (Matador Red)	8-86
631698	Cantrail assembly	8-64			
631723	Link L.H.	8-58			

NUMERICAL INDEX

Part No.	Description	Ref.No.	Part No.	Description	Ref.No.
709037	Rear parcel shelf trim panel assy.(Shadow Blue)	8-86	715001	Heater control escutcheon	8-71
709038	Rear parcel shelf trim panel Assembly(Grey)	8-86	715035	Heater hose	8-76
709158	Tube,blower to dash	8-76	715509	Knob,heater control	8-76
709235	Bonnet release cable, outer	8-55	715565	'B' post lower L.H.	8-51
709240	Bonnet release cable inner	8-55	715566	'B' post lower R.H.	8-51
709254	Trunk lid seal	8-71	715681	Steering column support R.H.S.	8-68
709318	Stiffener, anti-drum	8-64	715698	Panel,rear valance inner	8-50
709331	Stiffener, anti-drum	8-56,8-60	715703	Angle,rear quarter trim board attachment	8-50
709374	Panel assembly L.H.	8-50	715723	Panel, rear door outer L.H.	8-64
709375	Panel assembly R.H.	8-50	715724	Panel, rear door outer R.H.	8-64
709404	Rear tread plate L.H.	8-83	715727	Crossmember, rear seat pan	8-50
709405	Rear tread plate R.H.	8-83	715783	Crossmember, front main floor	8-49
709541	Air outlet duct	8-84	715803	Panel, rear quarter inner L.H.	8-51
709754	Demister outlet grille	8-70	715804	Panel, rear quarter inner R.H.	8-51
709852	Front door seal	8-63	715835	Plate washer	8-71
709853	Door seal rear door	8-64	715836	Bracket	9-09
709854	Door seal, rear door	8-64	715839	Tie bar and catch assembly	9-12
709855	Seal, door	8-59	715843	Squab support board L.H.	9-10
710600	Stanchion assembly L.H.	8-65	715844	Squab support board R.H.	9-10
710601	Stanchion assembly R.H.	8-65	715851	Bezel,seat tilt release lever	9-10
710769	Sun visor assembly, R.H.S. Passengers side with mirror	8-68	715866	Side member, main floor R.H.	8-49
710779	Sun visor assembly L.H.S. Passengers side with mirror	8-68	715868	Side member, main floor L.H.	8-49
710789	Sun visor assembly, Drivers side, less mirror	8-68	716031	Tool bag	8-19
710961	Trim roll L.H.S.	8-68	716161	Armrest L.H.(Black)	9-05
710971	Trim roll R.H.S.	8-68	716162	Armrest L.H.(Matador Red)	9-05
712569	Glass	8-57			
712775	Squab suppt. board L.H	9-10,9-17			
712776	Squab suppt. board R.H	9-10,9-17			
712919	Knob, switch	8-40			
714993	Tube,lower support R.H.S	8-74			
715000	Moulding,Drivers side facia	8-71			

NUMERICAL INDEX

Part No.	Description	Ref.No.	Part No.	Description	Ref.No.
716163	Armrest L.H. (New Tan)	9-05	717748	Recess Board, Headrest	9-14
716167	Armrest L.H. (Shadow Blue)	9-05		L.H. (Grey)	
716168	Armrest L.H. (Grey)	9-05	717980	Seat harness buckle	9-25
716171	Armrest R.H. (Black)	9-05	718010	Panel, upper, Mud-	8-48
716172	Armrest R.H. (Matador Red)	9-05		shield L.H.	
716173	Armrest R.H. (New Tan)	9-05	718011	Panel, upper, Mud-	8-48
716177	Armrest R.H. (Shadow Blue)	9-05		shield R.H.	
716178	Armrest R.H. (Grey)	9-05	718014	Front door seal, L.H	8-56
716243	Reclining mechanism L.H	9-16		waist, outer	
716244	Reclining mechanism R.H.	9-16	718015	Front door seal	8-56
716249	Seat harness buckle	9-26		R.H. waist, outer	
716823	Reinforcement, outer rear crossmember L.H.	8-50	718120	Remote control handle	8-58, 8-62
716824	Reinforcement, outer rear crossmember R.H.	8-50			8-66
716986	Angle, rear squab side side support L.H.	8-50	718364	Remote control link L.H.	8-62
716987	Angle, rear squab side support R.H.	8-50	718365	Remote control link R.H.	8-62
717105	Adjusting handle	9-17	718574	Roof lamp assembly	8-39
717582	Reinforcement, wheelarch to crossmember L.H.	8-50	718757	Window regulator assembly L.H.	8-58
717583	Reinforcement, wheelarch to crossmember R.H.	8-50	718758	Window regulator assembly R.H.	8-58
717594	Bonnet seal R.H.S.	8-55	718775	Remote control link L.H.	8-66
717595	Bonnet seal L.H.S.	8-55	718776	Remote control link R.H.	8-66
717731	Recess board, headrest L.H. Black	9-14	719010	Striker, door lock	8-58, 8-62
717732	Recess board, headrest L.H. (Matador Red)	9-14			8-66
717737	Recess board, headrest L.H. (Shadow Blue)	9-14	719440	Face level vent	8-71
717738	Recess board, headrest R.H. (Grey)	9-14	719534	Trunk lid moulding lower L.H.	8-84
717741	Recess board, headrest R.H. (Black)	9-14	719535	Trunk lid moulding lower R.H.	8-84
717742	Recess board, headrest R.H. (Matador Red)	9-14	719622	Door, private lock L.H.	8-59, 8-63
717747	Recess board, headrest (Shadow Blue)	9-14	719623	Door, private lock R.H.	8-59, 8-63
			719914	Safety harness kit (Britax)	9-25
			719914	Safety harness kit (Kangol)	9-26
			719915	Seat safety belt	9-25
			719916	Seat safety belt	9-26

NUMERICAL INDEX

Part No.	Description	Ref.No.	Part No.	Description	Ref.No.
720094	Electric windscreen washer and bottle assy.	8-33	720808	Front seat cushion 9-10,9-13 cover assembly leathercloth(Grey)	
720428	Moulding,tonneau side L.H	8-82	720811	Front seat cushion 9-10,9-13 cover assembly, leather (Black)	
720429	Moulding,tonneau side R.H	8-82	720812	Front seat cushion 9-10,9-13 cover assembly, leather(Matador Red)	
720441	Moulding,rear door, L.H.	8-83	720813	Front seat cushion 9-10,9-13 cover assembly, leather (New Tan)	
720442	Moulding, rear door R.H.	8-83	720817	Front seat cushion 9-10,9-13 cover assy. leather(Shadow Blue)	
720463	Moulding,front door L.H.	8-83	720818	Front seat cushion 9-10,9-13 cover assy. leather, (Grey)	
720464	Moulding,front door R.H.	8-83	720821	Front seat cushion 9-10,9-13 cover assembly, cloth(Black)	
720465	Remote control link L.H.	8-58	720822	Front seat cushion 9-10,9-13 cover assy. cloth(Matador Red)	
720466	Remote control link R.H.	8-58	720823	Front seat cushion 9-10,9-13 cover assy. cloth,New Tan	
720467	Rear doorbellcrank lever	8-66	720827	Front seat cushion 9-10,9-13 cover assembly, Cloth(Shadow Blue)	
720468	Link, bellcrank lever to sill L.H.	8-66	720828	Front seat cushion 9-10,9-13 cover assembly, Cloth (Grey)	
720469	Link.bellcrank lever to sill R.H.	8-66	720831	Cover,rear seat 9-22,9-24 squab,leathercloth (Black)	
720471	Link,bellcrank lever to lock L.H.	8-66	720832	Cover,rear seat 9-22,9-24 squab,leathercloth (Matador Red)	
720472	Link,bellcrank lever to lock R.H.	8-66	720833	Cover,rear seat 9-22,9-24 squab,leathercloth (New Tan)	
720489	Moulding,front door L.H.	8-82	720837	Cover,rear seat 9-22,9-24 squab,leathercloth (Shadow Blue)	
720490	Moulding,front door R.H.	8-82			
720649	Tube,parcel tray reinforcement	8-66			
720661	Handbrake gauntlet (black)	8-81,8-82			
720662	Handbrake gauntlet (Burgundy)	8-81			
720663	Handbrake gauntlet (New Tan)	8-81,8-82			
720667	Handbrake gauntlet (Shadow Blue)	8-81,8-82			
720730	Knob, switch	8-34			
720801	Front seat cushion cover assembly, leathercloth(Black)	9-10,9-13			
720802	Front seat cushion cover assembly, leathercloth(Matador Red)	9-10,9-13			
720803	Front seat cushion cover assy.leathercloth(New Tan)	9-10,9-13			
720807	Front seat cushion cover Assy. leathercloth(Shadow Blue)	9-10,9-13			

NUMERICAL INDEX

Part No.	Description	Ref.No.	Part No.	Description	Ref.No.
720838	Cover, rear seat squab,leathercloth (Grey)	9-22,9-24	720868	Cover, rear seat cushion,leathercloth (Grey)	9-22
720841	Cover, rear seat squab, leather (Black)	9-22,9-24	720871	Cover, rear seat cushion, leather (Black)	9-22
720842	Cover, rear seat squab, leather (Matador Red)	9-22,9-24	720872	Cover, rear seat cushion, leather (Matador Red)	9-22
720843	Cover, rear seat squab, leather (New Tan)	9-22,9-24	720873	Cover, rear seat cushion, leather (New Tan)	9-22
720847	Cover, rear seat, squab, leather (Shadow Blue)	9-22,9-24	720877	Cover, rear seat cushion, leather (Shadow Blue)	9-22
720848	Cover, rear seat squab, leather(Grey)	9-22,9-24	720878	Cover, rear seat cushion,leather(Grey)	9-22
720851	Cover, rear seat squab, cloth (Black)	9-22,9-24	720881	Cover, rear seat cushion,Cloth(Black)	9-22
720852	Cover, rear seat squab, Cloth (Matador Red)	9-22,9-24	720882	Cover, rear seat cushion, Cloth (Matador Red)	9-22
720853	Cover, rear seat squab, Cloth (New Tan)	9-22,9-24	720883	Cover, rear seat cushion, Cloth (New Tan)	9-22
720857	Cover, rear seat squab, Cloth (Shadow Blue)	9-22,9-24	720887	Cover, rear seat cushion, Cloth (Shadow Blue)	9-22
720858	Cover, rear seat squab cloth, (Grey)	9-22,9-24	720888	Cover, rear seat cushion,Cloth(Grey)	9-22
720861	Cover, rear seat cushion, leathercloth (Black)	9-22	720989	Carpet, heel mat	9-04
720862	Cover, rear seat cushion,leathercloth (Matador Red)	9-22	721155	Moulding,trunk lid upper	8-84
720863	Cover, rear seat cushion,leathercloth (New Tan)	9-22	721156	Moulding, tail lamp surround L.H.	8-84
720867	Cover, rear seat cushion, leathercloth (Shadow Blue)	9-22	721157	Moulding, tail lamp surround R.H.	8-84
			721168	Bumper joint washer	8-81
			721175	Bracket,underider mounting L.H.	8-79
			721176	Bracket, underider Mounting R.H.	8-79

NUMERICAL INDEX

Part No.	Description	Ref.No.	Part No.	Description	Ref.No.
721205	Spring assembly, front bumper	8-79	721721	Cover,squab, L.H. leathercloth(Black)	9-13
721207	Bolt	8-79	721722	Cover, squab, L.H. leathercloth, (Matador Red)	9-13
721208	Spring,rear bumper L.H.	8-79	721723	Cover, squab, L.H. leathercloth, (New Tan)	9-13
721209	Spring,rear bumper R.H.	8-79	721727	Cover, squab, L.H. leathercloth, (Shadow Blue)	9-13
721213	Rear parcel shelf trim panel assembly(New Tan)	8-86	721728	Cover, squab, L.H. leathercloth(Grey)	9-13
721320	Bracket, grille and surround support	8-53	721731	Cover, squab, R.H. leathercloth(Black)	9-13
721400	Finisher, nacelle to parcel tray	8-74,8-75	721732	Cover, squab, R.H. leathercloth, (Matador Red)	9-13
721405	Front door glass and regulator channel assembly L.H.	8-57	721733	Cover,squab, R.H. leathercloth, (New Tan)	9-13
721406	Front door glass and regulator channel assembly R.H.	8-57	721737	Cover, squab, R.H. leathercloth (Shadow Blue)	9-13
721429	Headlining assembly	8-86	721738	Cover, squab, R.H. leathercloth(Grey)	9-13
721461	Cushion cover,leather- cloth (Black)	9-24	721741	Cover, squab, L.H. leather (Black)	9-13
721463	Cushion cover, leathercloth(New Tan)	9-24	721742	Cover, squab, L.H. leather(Matador Red)	9-13
721467	Cushion cover leathercloth, (Shadow Blue)	9-24	721743	Cover, squab, L.H. leather (New Tan)	9-13
721468	Cushion cover, leathercloth (Grey)	9-24	721747	Cover, squab, L.H. leather (Shadow Blue)	9-13
721471	Cushion cover, leather, (Black)	9-24	721748	Cover, squab, L.H. leather (Grey)	9-13
721473	Cushion cover, leather (New Tan)	9-24	721751	Cover, squab, R.H. leather (Black)	9-13
721477	Cushion cover, leather (Shadow Blue)	9-24	721752	Cover, squab, R.H. leather(Matador Red)	9-13
721478	Cushion cover, leather (Grey)	9-24	721753	Cover, squab, R.H. leather,(New Tan)	9-13
721481	Cushion cover Cloth, (Black)	9-24	721757	Cover,squab,R.H. leather(Shadow Blue)	9-13
721483	Cushion cover, Cloth, (New Tan)	9-24			
721487	Cushion cover, Cloth (Shadow Blue)	9-24			
721488	Cushion cover,Cloth,Grey	9-24			
721493	Front wing badge	8-75,8-76			

NUMERICAL INDEX

Part No.	Description	Ref.No.	Part No.	Description	Ref.No.
721758	Cover, squab, R.H. leather (Grey)	9-13	721801	Headrest cover, cloth (Black)	9-04
721761	Cover, squab, L.H. cloth (Black)	9-13	721802	Headrest cover, cloth (Matador Red)	9-14
721762	Cover, squab, L.H. cloth (Matador Red)	9-13	721803	Headrest cover, Cloth (New Tan)	9-14
721763	Cover, squab, L.H. cloth (New Tan)	9-13	721807	Headrest cover, cloth (Shadow Blue)	9-14
721767	Cover, squab, L.H. cloth (Shadow Blue)	9-13	721808	Headrest cover, Cloth (Grey)	9-14
721768	Cover, squab, L.H. cloth (Grey)	9-13	722382/1	Seat slide assembly plain	9-18
721771	Cover, squab, R.H. cloth (Black)	9-13	722382/2	Seat slide assembly plain	9-18
721772	Cover, squab, R.H. cloth (Matador Red)	9-13	722383/1	Seat slide assembly notched	9-18
721773	Cover, squab, R.H. cloth (New Tan)	9-13	722383/2	Seat slide assembly notched	9-18
721777	Cover, squab, R.H. cloth (Shadow Blue)	9-13	722410	Underider L.H.	8-79
721778	Cover, squab, R.H. cloth (Grey)	9-13	722411	Underider R.H.	8-79
721781	Headrest cover, leather- cloth (Black)	9-14	722441	Parcel tray trim board assembly	8-73
721782	Headrest cover, leather- cloth (Matador Red)	9-14	722501	Squab cover, leathercloth (Black)	9-20
721783	Headrest cover, leather- cloth (New Tan)	9-14	722503	Squab cover, leather- cloth (New Tan)	9-20
721787	Headrest cover, leather- cloth (Shadow Blue)	9-14	722507	Squab cover, leather- cloth (Shadow Blue)	9-20
721788	Headrest cover, leathercloth (Grey)	9-14	722508	Squab cover, leathercloth (Grey)	9-20
721791	Headrest cover, leather (Black)	9-14	722511	Squab cover, leather (Black)	9-20
721792	Headrest cover, leather (Matador Red)	9-14	722513	Squab cover, leather (New Tan)	9-20
721793	Headrest cover, leather (New Tan)	9-14	722517	Squab cover, leather (Shadow Blue)	9-20
721797	Headrest cover, leather (Shadow Blue)	9-14	722518	Squab cover, leather (Grey)	9-20
721798	Headrest cover, leather (Grey)	9-14	722521	Squab cover, cloth (Black)	9-20
			722523	Squab cover, cloth (New Tan)	9-20

NUMERICAL INDEX

Part No.	Description	Ref.No.	Part No.	Description	Ref.No.
722527	Squab cover, cloth (Shadow Blue)	9-20	722568	Squab cover assembly L.H. Cloth (Grey)	9-10
722528	Squab cover, Cloth (Grey)	9-20	722571	Squab cover assembly, R.H. Leathercloth, (Black)	9-10
722534	Duct, dash front tube to face level vents	8-76	722572	Squab cover assembly R.H. leathercloth (Matador Red)	9-10
722538	Millboard cover, wiper linkage	8-74	722573	Squab cover assembly R.H. leathercloth, (New Tan)	9-10
722541	Squab cover assembly L.H. Leathercloth, (Black)	9-10	722577	Squab cover assembly R.H. leathercloth (Shadow Blue)	9-10
722542	Squab cover assembly L.H. leathercloth, (Matador Red)	9-10	722578	Squab cover assembly R.H. leathercloth (Grey)	9-10
722543	Squab cover assembly L.H. leathercloth (New Tan)	9-10	722581	Squab cover assembly R.H. leather (Black)	9-10
722547	Squab cover assembly L.H. leathercloth (Shadow Blue)	9-10	722582	Squab cover assembly R.H. leather (Matador Red)	9-10
722548	Squab cover assembly, L.H. Leathercloth (Grey)	9-10	722583	Squab cover assembly R.H. leather (New Tan)	9-10
722551	Squab cover assembly L.H. Leather (Black)	9-10	722587	Squab cover assembly R.H. leather (Shadow Blue)	9-10
722552	Squab cover assembly L.H. leather (Matador Red)	9-10	722588	Squab cover assembly, R.H. leather (Grey)	9-10
722553	Squab cover assembly L.H. Leather (New Tan)	9-10	722591	Squab cover assembly R.H. Cloth (Black)	9-10
722557	Squab cover assembly L.H. leather (Shadow Blue)	9-10	722592	Squab cover assembly R.H. Cloth (Matador Red)	9-10
722558	Squab cover assembly L.H. Leather (Grey)	9-10	722593	Squab cover assembly R.H. Cloth (New Tan)	9-10
722561	Squab cover assembly, L.H. Cloth (Black)	9-10	722597	Squab cover assembly R.H. Cloth (Shadow Blue)	9-10
722562	Squab cover assembly L.H. Cloth	9-10			
722563	Squab cover assembly L.H. Cloth (New Tan)	9-10			
722567	Squab cover assembly L.H. Cloth (Shadow Blue)	9-10			

NUMERICAL INDEX

Part No.	Description	Ref.No.	Part No.	Description	Ref.No.
722598	Squab cover assembly R.H. Cloth(Grey)	9-10	722751	Door armrest Assy. R.H.(Black)	8-59,8-63 8-67
722651	Link assembly,lock to door handle LH	8-57,8-62	722752	Door armrest Assy. RH (Matador Red)	8-59
722652	Link assembly, lock to door handle R.H.	8-57,8-62	722753	Door armrest Assy. R.H. (New Tan)	8-59,8-63 8-67
722657	Link assembly, lock to door handle L.H.	8-66	722757	Door armrest Assy. R.H.(Shadow Blue)	8-59,8-63 8-67
722658	Link assembly, lock to door handle R.H.	8-66	722758	Door armrest Assy. R.H. (Grey)	8-59,8-63 8-67
722673	Outside door handle L.H.	8-59,8-63 8-67	722771	Heelboard carpet L.H. (Black)	9-05,9-06
722674	Outside door handle R.H.	8-59,8-63 8-67	722772	Heelboard carpet L.H. (Burgundy)	9-05
722681	Insulation pad, gearbox cover, centre	8-85	722773	Heelboard carpet L.H. (New Tan)	9-05,9-06
722682	Insulation pad, dash upper L.H. R.H.S.	8-85	722777	Heelboard carpet L.H. (Shadow Blue)	9-05,9-06
722683	Insulation pad, dash lower L.H. R.H.S.	8-85	722781	Heelboard carpet R.H. (Black)	9-05,9-06
722684	Insulation pad, dash upper R.H. R.H.S.	8-85	722782	Heelboard carpet R.H. (Burgundy)	9-05
722685	Insulation pad, dash lower R.H. R.H.S.	8-85	722783	Heelboard carpet R.H. (New Tan)	9-05,9-06
722686	Insulation pad, dash upper R.H. L.H.S.	8-85	722787	Heelboard carpet R.H.(Shadow Blue)	9-05,9-06
722687	Insulation pad, dash upper R.H. L.H.S.	8-85	723140	Matched veneed facing set R.H.S.(Cut out for hazard switch)	8-71
722688	Insulation pad, dash upper L.H. L.H.S.	8-85	723141	Matched veneer facing set L.H.S.(Cut out for hazard switch)	8-71
722689	Insulation pad, dash lower L.H. L.H.S.	8-85	723142	Facing, Drivers side R.H.S.(with cut out for hazard switch)	8-71
722741	Door armrest assembly L.H. (Black)	8-59,8-63 8-67	723143	Facing,Drivers side L.H.S.(With cut out for hazard switch)	8-71
722742	Door armrest assembly L.H. (Matador Red)	8-59	723290	Clip, retaining private lock	8-59,8-63
722743	Door armrest assembly L.H. (New Tan)	8-59,8-63 8-67	723293	Water curtain, door L.H.	8-59
722747	Door armrest assembly L.H. (Shadow Blue)	8-59,8-63 8-67			
722748	Door armrest assembly, L.H. (Grey)	8-59,8-63 8-67			

NUMERICAL INDEX

Part No.	Description	Ref.No.	Part No.	Description	Ref.No.
723294	Water curtain, door R.H.	8-59	724433	Cushion cover, leather (New Tan)	9-17
723340	Water curtain, door L.H.	8-59	724437	Cushion cover, leather (Shadow Blue)	9-17
723341	Water curtain, door R.H.	8-59	724438	Cushion cover, leather (Grey)	9-17
723342	Water curtain, door L.H.	8-67	724441	Cushion cover, Cloth (Black)	9-17
723343	Water curtain, door R.H.	8-67	724443	Cushion cover, cloth (New Tan)	9-17
723405	Tube, lower support R.H.S	8-75	724447	Cushion cover, cloth (Shadow Blue)	9-17
723406	Tube, lower support, L.H.S.	8-74, 8-75	724448	Cushion cover, Cloth (Grey)	9-17
724050	Matched veneer facing set R.H.S. (Cut out for Brake warning light)	8-71	724451	Squab cover, leather-cloth (Black)	9-17
724051	Matched veneer facing set L.H.S. (Cut out for brake warning light)	8-71	724453	Squab cover, leather-cloth (New Tan)	9-17
724052	Facing, Drivers side R.H.S. (With cut out for Brake warning light)	8-71	724457	Squab cover, leather-cloth (Shadow Blue)	9-17
724053	Facing, Drivers side L.H.S. (With cut out for brake warning light)	8-71	724458	Squab cover, leather-cloth (Grey)	9-17
724056	T/C badge, trunk lid	8-78	724461	Squab cover, leather (Black)	9-17
724129	Steering column support L.H.S.	8-74, 8-75	724463	Squab cover, leather (New Tan)	9-17
724130	Steering column support R.H.S.	8-75	724467	Squab cover, leather (Shadow Blue)	9-17
725034	Recess board, headrest L.H. (New Tan)	9-06	724468	Squab cover, leather, (Grey)	9-17
725053	Recess board, headrest R.H. (New Tan)	9-06	724471	Squab cover, cloth (Black)	9-17
724129	Steering column support L.H.S.	8-75	724473	Squab cover, cloth (New Tan)	9-17
724130	Steering column support R.H.S.	8-75	724477	Squab cover, cloth (Shadow Blue)	9-17
724421	Cushion cover, leathercloth (Black)	9-17	724478	Squab cover, cloth, (Grey)	9-17
724423	Cushion cover, leather-cloth (New Tan)	9-17	724991	Parcel shelf panel, (Black)	8-86
724427	Cushion cover, leather-cloth (Shadow Blue)	9-17	724993	Parcel shelf panel (New Tan)	8-86
724428	Cushion cover, leathercloth (Grey)	9-17	724997	Parcel shelf panel (Shadow Blue)	8-86
724431	Cushion cover, leather, (Black)	9-17			

NUMERICAL INDEX

Part No.	Description	Ref.No.	Part No.	Description	Ref.No.
724998	Parcel shelf panel (Grey)	8-86	808940	'A' post, outer lower L.H.	8-51,8-52
725043	Recess board, headrest L.H. (New Tan)	9-14	808941	'A' post, outer, lower R.H.	8-51,8-52
725053	Recess board, headrest R.H. (New Tan)	9-14	808949	Glass, front door	8-61
725151	Handbrake gauntlet (Black)	9-05,9-06	808955	Glass, rear door	8-65
725152	Handbrake gauntlet (Burgundy)	9-05	808956	Weatherstrip, L.H.	8-57
725153	Handbrake gauntlet (New Tan)	9-05,9-06	808957	Weatherstrip R.H.	8-57
725157	Handbrake gauntlet (Shadow Blue)	9-05,9-06	809130	Hinge, trunk lid L.H.	8-78
725330	Tread plate	8-82	809131	Hinge, trunk lid R.H.	8-78
725525	Front wing badge	8-82	809263	Insulation pad, Rear wheel arch R.H.	8-85
725531	Sill link L.H.	8-59	809361	Cover 'A' post L.H.	8-68
725532	Sill link R.H.	8-59	809371	Cover 'A' post R.H.	8-68
725566	Torsion bar	9-16	809431	Insulation pad, rear wheel arch L.H.	8-85
725600	Knob (Control lever)	8-76	809435	Angle, fascia to front deck L.H.S.	8-51,8-52
725611	Handbrake gauntlet (Black)	9-05	809436	Angle, fascia to front deck R.H.S.	8-51,8-52
725613	Handbrake gauntlet (New Tan)	9-05	809465	Seal, air inlet	8-76
725617	Handbrake gauntlet (Shadow Blue)	9-05	809467	Seal, demister outlet	8-76
725638	Mounting spring L.H.	8-81	809476	Tonneau side	8-52
725639	Mounting spring R.H.	8-81	809477	Tonneau side	8-52
725672	Millboard cover	8-73	809661	Ventilation trim panel Assy. (Black)	8-86
725681	Luggage floor mat	9-07	809662	Ventilation trim panel assembly (Matador Red)	8-86
725730	Mirror stem	8-69	809667	Ventilation trim panel assembly (Shadow Blue)	8-86
725804	Bumper bolt	8-81	809668	Ventilation trim panel assembly rear parcel shelf (Grey)	8-86
808356	Channel, drip moulding L.H.	8-51	809695	Pad, cushion	9-24
808357	Channel drip moulding	8-51	810301	No draught ventilator assy. L.H.	8-57,8-61
808671	Weatherstrip, back light	8-78	810302	No-draught ventilator assy. R.H.	8-57,8-61
808710	Moulding, rear roof L.H.	8-84			
808711	Moulding, rear roof R.H.	8-84			
808726	Inner sill assembly L.H.	8-49			
808727	Inner sill assembly R.H.	8-49			
808934	Cantrail assembly L.H.	8-52			
808935	Cantrail assembly R.H.	8-52			

NUMERICAL INDEX

Part No.	Description	Ref.No.	Part No.	Description	Ref.No.
811312	Panel, sill outer L.H.	8-51	814745	Panel, front door outer L.H.	8-60
811313	Panel, sill outer R.H.	8-51	814746	Panel, front door outer R.H.	8-60
811403	Front seat cushion pad	9-10,9-13	814747	Outer panel L.H.door	8-56
812791	'BC' post interior trim pad assembly L.H. (Black)	9-04	814748	Outer panel R.H.	8-56
812797	'BC' post interior trim pad assembly L.H. (Shadow Blue)	9-04	814753	Panel, closing, dash front R.H.S.	8-48
812798	'BC' post interior trim pad assembly L.H. (Grey)	9-04	814754	Panel, closing, dash front L.H.S.	8-48
812801	'BC' post interior trim pad assembly R.H. (Black)	9-04	814841	Door assembly L.H.	8-60
812807	'BC' post interior trim pad assembly R.H. (Shadow Blue)	9-04	814842	Door assembly R.H.	8-60
812808	'BC' post interior trim pad assembly R.H. (Grey)	9-04	814845	Rear door Assy. L.H.	8-64
813914	Quarterlight glass	8-78	814846	Rear door Assy. R.H.	8-64
814529	Front panel assembly	8-48	814853	Front door Assy. L.H.	8-56
814535	Radiator support Assembly	9-08	814854	Front door Assy. R.H.	8-56
814625	Rail, fascia support R.H.S.	8-70	815011	Panel, tonneau side L.H.	8-52
814626	Rail, fascia support L.H.S.	8-70	815012	Panel, tonneau side R.H.	8-52
814633	Panel, reinforcement, upper engine bay valance L.H.	8-48	815141	Rear door trim pad assembly L.H. (Black)	8-67
814634	Panel, reinforcement upper engine bay valance R.H.	8-48	815143	Rear door trim pad Assembly L.H. (New Tan)	8-67
814635	Panel 'A' post, inner lower R.H.	8-48	815147	Rear door trim pad assembly L.H. (Shadow Blue)	8-67
814636	Panel, 'A' post, inner lower R.H.	8-48	815148	Rear door trim pad Assembly L.H. (Grey)	8-67
814647	Panel, wheelarch to Luggage floor L.H.	8-50	815151	Rear door trim pad Assy. R.H. (Black)	8-67
814648	Panel, wheelarch to luggage floor R.H.	8-50	815153	Rear door trim pad Assembly R.H. (New Tan)	8-67
814743	Rear seat pan assembly	8-50	815157	Rear door trim pad assembly R.H. (Shadow Blue)	8-67

NUMERICAL INDEX

Part No.	Description	Ref No.	Part No.	Description	Ref.No.
815158	Rear door trim pad assembly R.H. (Grey)	8-67	815202	Trim pad L.H. (Matador Red)	9-05
815161	Trim pad assembly L.H. (Black)	8-59	815203	Trim pad L.H. (New Tan)	9-05
815162	Trim pad assembly L.H. (Matador Red)	8-59	815207	Trim pad L.H. (Shadow Blue)	9-05
815163	Trim pad assembly L.H. (New Tan)	8-59	815208	Trim pad L.H. (Grey)	9-05
815167	Trim pad assembly L.H. (Shadow Blue)	8-59	815211	Trim pad R.H. (Black)	9-05
815168	Trim pad assembly L.H. (Grey)	8-59	815212	Trim pad R.H. (Matador Red)	9-05
815171	Trim pad assembly, R.H. (Black)	8-59	815213	Trim pad R.H. (New Tan)	9-05
815172	Trim pad assembly R.H. (Matador Red)	8-59	815217	Trim pad R.H. (Shadow Blue)	9-05
815173	Trim pad assembly R.H. (New Tan)	8-59	815218	Trim pad R.H.	8-81
815177	Trim pad assembly R.H. (Shadow Blue)	8-59	815260/1	Seat slide assembly	9-08
815178	Trim pad assembly R.H. (Grey)	8-59	815260/2	Seat slide assembly	9-08
815181	Front door trim pad assembly L.H. (Black)	8-63	815267	Radiator support assembly	8-48
815183	Front door trim pad assembly L.H. (New Tan)	8-63	815801	Reinforcement, outer, rear seat pan L.H.	8-50
815187	Front door trim pad assembly L.H. (Shadow Blue)	8-63	815802	Reinforcement, outer rear seat pan R.H.	8-50
815188	Front door trim pad assembly R.H. (Grey)	8-63	816414	Glass, front door	8-57
815191	Front door trim pad assembly R.H. (Black)	8-63	816497	Headrest frame	9-04
815193	Front door trim pad assembly R.H. (New Tan)	8-63	816595	Channel, drain, rear wing L.H.	8-51,8-52
815197	Front door trim pad assembly R.H. (Shadow Blue)	8-63	816596	Channel, drain, rear wing R.H.	8-51,8-52
815198	Front door trim pad Assembly R.H. (Grey)	8-63	816597	Headrest pad	9-14
815201	Trim pad L.H. (Black)	9-05	816700	Rubber strap	9-09
			816804	Rubber strap	9-09
			816805	Rubber strap	9-09
			816808	Rubber strap	9-12
			816852	Seat strap	9-12
			816900	Rubber strap	9-09
			817120	Mudshield panel L.H.	8-48
			817121	Mudshield panel R.H.	8-48
			817386	Headlamp bezel panel L.H.	8-54
			817387	Headlamp bezel panel R.H.	8-54

NUMERICAL INDEX

Part No.	Description	Ref.No.	Part No.	Description	Ref.No.
817445	Stiffener,anti-drum rear quarter panel L.H.	8-51	818877	Body shell R.H.S. primed, with bonnet doors and boot lid	8-47
817446	Stiffener,anti-drum rear quarter panel R.H.	8-51	818878	Body shell L.H.S. primed with bonnet, doors and boot lid	8-47
817448	Bracket, rear suspension mounting L.H.	8-50	818883	Body shell assembly, R.H.S.primed with bonnet,doors and boot lid(2 doors, 4 headlamp type vehicle)	8-46
817449	Bracket,rear suspension mounting R.H.	8-50	818884	Body shell, L.H.S. primed, with bonnet, doors and boot lid (2 door,4 headlamp type vehicle)	8-46
817714	Front door window regulator assembly L.H.	8-62	818981	Panel,headlamp surround L.H.	8-48
817715	Front door window	8-62	818982	Panel, headlamp surround R.H.	8-48
817716	Rear door regulator L.H.	8-66	818983	Panel,mudshield L.H.	8-48
817717	Rear door regulator	8-66	818984	Panel,mudshield R.H.	8-48
817946	Radiator frontal grille L.H.	8-75	819031	Pad, top roll, rear seat squab	9-22,9-24
817947	Radiator frontal grille R.H.	8-54	819059	Pad, lower, rear seat squab	9-22,9-24
818094	Seal,gearbox cover	8-49	819060	Pad,rear seat cushion	9-22
818190	Radiator frontal grille L.H.	8-54	819091	Centre pad,steering wheel	7-67
818191	Radiator frontal grille R.H.	8-54	819110	Luggage compartment floor board	9-07
818398	Seat cushion pad	9-10,9-13	819131	Luggage floor mat	9-07
818787	Body shell R.H.S. primed, less bonnet doors and boot lid	8-47	819153	Support roof lamp	8-51
818788	Body shell L.H.S. primed, less bonnet, doors and boot lid	8-47	819181	Headlamp surround assembly L.H.	8-53
818793	Body shell R.H.S. primed, less bonnet, doors and boot lid (2 door, 4 headlamp type vehicle)	8-46	819182	Headlamp surround assembly R.H.	8-53
818794	Body shell L.H.S. primed, less bonnet doors and boot lid (2 door, 4 headlamp type vehicle)	8-46	819185	Radiator frontal grille L.H.	8-53

NUMERICAL INDEX

Part No.	Description	Ref.No.	Part No.	Description	Ref.No.
819186	Radiator frontal grille R.H.	8-53	903929	Panel,sill rein- forcement L.H.	8-51
819193	Ventilation trim panel assembly (New Tan)	8-86	903930	Panel,sill rein- forcement R.H.	8-51
819203	'BC' post interior trim L.H. (New Tan)	9-04	903931	Panel L.H.	8-52
819213	'BC' post interior trim R.H. (New Tan)	9-04	903932	Panel R.H.	8-52
819270	Blower assembly R.H.S.	8-76	904002	Panel L.H.	8-52
819271	Blower assembly L.H.S.	8-76	904003	Panel R.H.	8-52
819306	Insulation pad, gearbox cover.	8-85	904007	Panel L.H.	8-50
819311	Parcel tray assembly RHS	8-73	904008	Panel R.H.	8-50
819321	Parcel tray assembly LHS	8-73	904073	'A' post L.H.	8-51
819516	Side roll, seat cushion L.H.	9-10	904074	'A' post R.H.	8-51
819517	side roll,seat cushion R.H.	9-10	904102	Panel L.H.	8-52
819883	Cushion pad	9-17	904103	Panel R.H.	8-52
819885	Side roll L.H.	9-17	904111	Weatherstrip wind- screen	8-68
819886	Side roll R.H.	9-17	904341	Backlight surround finisher (Black)	8-86
820711	Lock set assembly RHS	8-59,8-60	904342	Backlight surround finisher (Matador Red)	8-86
820712	Lock set assembly LHS	8-59,8-62	904347	Backlight surround finisher (Shadow Blue)	8-86
820931	Finisher,steering wheel	7-67	904348	Backlight surround finisher (Grey)	8-86
820950	Moulding,rear roof L.H.	8-84	905675	Insulation pad, roof centre	8-86
820951	Moulding,rear roof R.H.	8-84	905676	Insulation pad,roof side.	8-86
821006	E.B.V. panel L.H.	8-48	906708	Windscreen glass laminated, high impact interlayer	8-68
821007	E.B.V. panel R.H.	8-48	908366	Main floor assembly	8-49
821150	Mounting spring L.H.	8-80	908604	Clip, attachment	8-60
821151	Mounting spring R.H.	8-80	908626	Crossmember, front main floor	8-49
821407	Cantrail assembly	8-51	909190	Spring case, rear seat cushion	9-22
903866	Panel L.H.	8-52	909191	Spring case,cushion	9-24
903867	Panel R.H.	8-52			
903868	Rear valance panel	8-53			
903885	Wheelarch,rear outer,L.H.	8-50			
903886	Wheelarch,rear outer,R.H.	8-50			
903896	Panel, backlight aperture, upper	8-50			
903912	Panel, backlight aperture, lower	8-50			

NUMERICAL INDEX

Part No.	Description	Ref.No.	Part No.	Description	Ref.No.
909201	Front deck & screen surround panel assembly R.H.S.	8-51,8-52	909690	Facing,Drivers side L.H.S.(with cut out for brake warning light and hazard switch)	8-71
909202	Front deck and screen surround panel assembly L.H.S.	8-51,8-52	909695	Panel, 'D' post, lower L.H.	8-52
909207	Weatherstrip, quarterlight L.H.	8-78	909696	Panel 'D' post lower R.H.	8-52
909208	Weatherstrip, quarterlight R.H.	8-78	909741	Facia panel Assy. R.H.S.	8-70
909345	Spring case, rear seat squab	9-22,9-24	909751	Facia panel assy. L.H.S.	8-70
909389	Rear parcel shelf and squab support assembly	8-50	909787	'BC' post assy. L.H.	8-52
909557	Cantrail assembly L.H.	8-51	909788	'BC' post assy. R.H.	8-52
909558	Cantrail assembly R.H.	8-51	910048	Wheelarch, rear inner L.H.	8-50
909559	Squab pad	9-13	910049	Wheelarch, rear inner R.H.	8-50
909677	Dash front Assy. R.H.S.	8-51	910050	Luggage floor panel	8-50
909678	Dash front Assy. L.H.S.	8-51	910075	Panel, crossmember, rear seat pan	8-50
909680	Glovebox lid,veneered	8-71	910754	Panel,filler end rear wing L.H.	8-51,8-52
909681	Matched veneer facing set R.H.S.	8-71	910755	Panel,filler end rear wing R.H.	8-51,8-52
909682	Matched veneer facing set L.H.S.	8-71	910989	Upper steering column nacelle R.H.S.	8-74,8-75
909683	Matched veneer facing set R.H.S. Cut out for brake warning light and hazard switch)	8-71	910990	Upper steering column nacelle L.H.S.	8-74,8-75
909684	Matched veneer facing set (Cut out for brake warning light and hazard switch)	8-71	910991	Lower steering column nacelle R.H.S.	8-74,8-75
909685	Facing, Passengers side R.H.S.	8-71	910992	Lower steering column nacelle L.H.S.	8-74,8-75
909686	Facing, Passengers side L.H.S.	8-71	911045	Tonneau side assembly L.H.	8-52
909687	Facing,Drivers side RHS.	8-71	911046	Tonneau side assembly R.H.	8-52
909688	Facing,Drivers side LHS	8-71			
909689	Facing,Drivers side RHS (With cut out for brake warning light and hazard switch)	8-71			

NUMERICAL INDEX

Part No.	Description	Ref.No.	Part No.	Description	Ref.No.
911193	Pad, front seat	9-10	911352	Front seat assembly	9-11
911205	Bonnet assembly	8-55		L.H.with headrest	
911257	Rear parcel shelf and squab support	8-50		leather(Matador Red)	
911259	Tonneau side assembly L.H	8-51	911353	Front seat assembly	9-11
911260	Tonneau side assembly R.H	8-51		L.H.with headrest	
911331	Front seat assembly L.H.	9-11		leather(New Tan)	
	with headrest, leathercloth(Black)		911357	Front seat assembly	9-11
911332	Front seat assembly L.H.	9-11		L.H.with headrest	
	leathercloth (Matador Red)		911358	Front seat assembly	9-11
911333	Front seat assembly L.H.	9-11		L.H. with headrest	
	with headrest, leather- cloth (New Tan)		911361	Front seat assembly	9-11
911337	Front seat assembly L.H.	9-11		R.H. with headrest	
	with headrest,leather- cloth(Shadow Blue)		911362	Front seat assembly	9-11
911338	Front seat assembly L.H.	9-11		R.H. with headrest	
	with headrest, leathercloth (Grey)		911363	Front seat assembly	9-11
911341	Front seat assembly R.H.	9-11		R.H. with headrest	
	with headrest, leathercloth (Black)		911367	Front seat assembly	9-11
911342	Front seat assembly	9-11		leather(Shadow Blue)	
	R.H. with headrest leathercloth(Matador Red)		911368	Front seat assembly	9-11
911343	Front seat assembly R.H.	9-11		leather (Grey)	
	with headrest,leather- cloth (New Tan)		911371	Front seat assembly	9-11
911347	Front seat assembly	9-11		L.H. with headrest	
	R.H.with headrest, leathercloth(Shadow Blue)		911372	Front seat assembly,	9-11
911348	Front seat assembly	9-11		L.H.with headrest	
	R.H. with headrest leathercloth (Grey)		911373	Front seat assembly	9-11
911351	Front seat assembly	9-11		L.H. with headrest	
	L.H. with headrest leather (Black)		911377	Front seat assembly	9-11
				L.H. with headrest	
			911378	Front seat Assy. L.H.	9-11
				with headrest,cloth,	
				(Grey)	

NUMERICAL INDEX

Part No.	Description	Ref.No.	Part No	Description	Ref.No.
911381	Front seat assembly R.H. with headrest, Cloth (Black)	9-11	911417	Headrest assembly, Cloth(Shadow Blue)	9-13
911382	Front seat assembly R.H. with headrest, Cloth (Matador Red)	9-11	911418	Headrest assembly cloth (Grey)	9-13
911383	Front seat assembly R.H. with headrest, Cloth (New Tan)	9-11	911421	Front seat frame assembly L.H.	9-12
911387	Front seat assembly R.H. with headrest cloth (Shadow Blue)	9-11	911422	Front seat frame assembly R.H.	9-12
911388	Front seat assembly R.H. with headrest cloth (Grey)	9-11	911443	Body shell, R.H.S. primed, less bonnet doors and boot lid	8-47
911391	Headrest assembly, leathercloth(Black)	9-13	911444	Body shell L.H.S. primed, less bonnet doors and boot lid	8-47
911392	Headrest assembly, leathercloth(Matador Red)	9-13	911539	Windscreen glass, toughened, wide zoned	8-68
911393	Headrest assembly, leathercloth(New Tan)	9-13	911540	Gearbox cover Assy.	8-49
911397	Headrest assembly, leathercloth (Shadow Blue)	9-13	912181	Door lock assembly L.H.	8-58,8-62
911398	Headrest assembly, leathercloth (Grey)	9-13	912182	Door lock assembly R.H.	8-58,8-62
911401	Headrest assembly, leather (Black)	9-13	912183	Rear door lock Assy. L.H.	8-66
911402	Headrest assembly, leather(Matador Red)	9-13	912184	Rear door lock Assy. R.H.	8-66
911403	Headrest assembly, leather (New Tan)	9-13	912281	Trunk lid assembly	8-78
911407	Headrest assembly, leather (Shadow Blue)	9-13	912491	Front seat assembly L.H.leathercloth (Black)	9-08
911408	Headrest assembly, leather (Grey)	9-13	912492	Front seat assembly L.H. leathercloth (Matador Red)	9-08
911411	Headrest assembly, cloth (Black)	9-13	912493	Front seat assembly L.H. leathercloth (New Tan)	9-08
911412	Headrest assembly, Cloth, (Matador Red)	9-13	912497	Front seat assembly L.H. leathercloth (Shadow Blue)	9-08
911413	Headrest assembly, Cloth (New Tan)	9-13	912498	Front seat assembly L.H. leathercloth (Grey)	9-08

NUMERICAL INDEX

Part No.	Description	Ref.No.	Part No.	Description	Ref.No.
912501	Front seat assembly R.H. leathercloth (Black)	9-08	912541	Front seat assembly R.H. Cloth (Black)	9-08
912502	Front seat assembly R.H. leathercloth(Matador Red)	9-08	912542	Front seat assembly R.H. cloth	9-08
912503	Front seat assembly R.H. leathercloth(New Tan)	9-08	912543	Front seat assembly R.H.Cloth(New Tan)	9-08
912507	Front seat assembly R.H. leathercloth (shadow Blue)	9-08	912547	Front seat assembly R.H.Cloth (Shadow Blue)	9-08
912508	Front seat assembly R.H. leathercloth(Grey)	9-08	912548	Front seat assembly R.H. Cloth (Grey)	9-08
912511	Front seat assembly,L.H. leather (Black)	9-08	912551	Front seat frame assembly L.H.	9-09
912512	Front seat assembly L.H. leather (Matador Red)	9-08	912552	Front seat frame assembly R.H.	9-09
912513	Front seat assembly L.H. leather (New Tan)	9-08	912741	Rear seat cushion assembly,leather- cloth (Black)	9-21
912517	Front seat assembly L.H. leather (Shadow Blue)	9-08	912742	Rear seat cushion assembly, leather- cloth (Matador Red)	9-21
912518	Front seat assembly L.H. leather (Grey)	9-08	912743	Rear seat cushion assembly, leather- cloth (New Tan)	9-21
912521	Front seat assembly R.H. leather, (Black)	9-08	912747	Rear seat cushion assembly,leather- cloth(Shadow Blue)	9-21
912522	Front seat assembly R.H. leather(Matador Red)	9-08	912748	Rear seat cushion assembly,leather- cloth (Grey)	9-21
912523	Front seat assembly R.H. leather (New Tan)	9-08	912751	Rear seat cushion assembly,leather (Black)	9-21
912527	Front seat assembly R.H. leather (Shadow Blue)	9-08	912752	Rear seat cushion assembly, leather (Matador Red)	9-21
912528	Front seat assembly R.H. leather (Grey)	9-08	912753	Rear seat cushion assembly, leather (New Tan)	9-21
912531	Front seat assembly L.H. cloth (Black)	9-08			
912532	Front seat assembly L.H. Cloth (Matador Red)	9-08			
912533	Front seat assembly L.H. Cloth (New Tan)	9-08			
912537	Front seat assembly L.H. Cloth (Shadow Blue)	9-08			
912538	Front seat assembly L.H. Cloth (Grey)	9-08			

NUMERICAL INDEX

Part No.	Description	Ref.No.	Part No.	Description	Ref.No.
912757	Rear seat cushion assembly, leather (Shadow Blue)	9-21	912798	Rear seat cushion assembly, Cloth, (Grey)	9-23
912758	Rear seat cushion assembly, leather, (Grey)	9-21	912887	Body shell assembly primed, R.H.S. less bonnet, doors and boot lid (2 door, 2 headlamp type vehicle)	8-46
912761	Rear seat cushion assembly, Cloth (Black)	9-21	912888	Body shell assembly primed, L.H.S. less bonnet, doors and boot lid (2 door, 2 headlamp type vehicle)	8-46
912762	Rear seat cushion assembly, cloth (Matador Red)	9-21	912920	Seat frame assembly	9-19
912763	Rear seat cushion assembly, Cloth (New Tan)	9-21	912941	Front seat assembly leathercloth (Black)	9-18
912767	Rear seat cushion assembly, Cloth, (Shadow Blue)	9-21	912943	Front seat assembly leathercloth (Matador Red)	9-18
912768	Rear seat cushion assembly, Cloth, (Grey)	9-21	912947	Front seat assembly leathercloth (New Tan)	9-18
912771	Rear seat cushion assembly, leathercloth (Black)	9-23	912948	Front seat assembly leathercloth, (shadow Blue)	9-18
912773	Rear seat cushion assembly, leathercloth (New Tan)	9-23	912951	Front seat assembly, leather (Black)	9-18
912777	Rear seat cushion assembly, leathercloth (Shadow Blue)	9-23	912953	Front seat assembly leather (Matador Red)	9-18
912778	Rear seat cushion assembly, leathercloth, (Grey)	9-23	912957	Front seat assembly leather (New Tan)	9-18
912781	Rear seat cushion assembly, leather (Black)	9-23	912958	Front seat assembly leather (Shadow Blue)	9-18
912783	Rear seat cushion assembly, leather (New Tan)	9-23	912961	Front seat assembly Cloth (Black)	9-18
912787	Rear seat cushion assembly, leather (Shadow Blue)	9-23	912963	Front seat assembly Cloth (Matador Red)	9-18
912788	Rear seat cushion assembly, leather (Grey)	9-23	912967	Front seat assembly cloth (New Tan)	9-18
912791	Rear seat cushion assembly, Cloth (Black)	9-23	912968	Front seat assembly Cloth (Shadow Blue)	9-18
912793	Rear seat cushion Assembly, Cloth (New Tan)	9-23	912975	Squab pad, front seat	9-10
912797	Rear seat cushion Assy. Cloth (Shadow Blue)	9-23	913031	Rear seat squab Assy, Leathercloth, (Black)	9-21, 9-23

NUMERICAL INDEX

Part No.	Description	Ref.No.	Part No.	Description	Ref.No.
913032	Rear seat squab assembly,leathercloth (Matador Red)	9-21,9-23	913381	Side board L.H.	9-07
			913391	Side Board R.H.	9-07
913033	Rear seat squab assembly,leathercloth (New Tan)	9-21,9-23	913451	Sill carpet L.H. (Black)	9-06
			913453	Sill carpet L.H. (New Tan)	9-06
913037	Rear seat squab assembly,leathercloth (Shadow Blue)	9-21,9-23	913457	Sill carpet L.H. (Shadow Blue)	9-06
			913461	Sill carpet R.H. (Black)	9-06
913038	Rear seat assembly leathercloth(Grey)	9-21,9-23	913463	Sill carpet R.H. (New Tan)	9-06
913041	Rear seat squab assembly, leather (Black)	9-21,9-23	913467	Sill carpet R.H. (Shadow Blue)	9-06
913042	Rear seat squab assembly, leather (Matador Red)	9-21,9-23	913471	Sill carpet L.H. (Black)	9-05
			913472	Sill carpet L.H. (Burgundy)	9-05
913043	Rear seat squab assembly, leather (New Tan)	9-21,9-23	913473	Sill carpet L.H. (New Tan)	9-05
913047	Rear seat squab assembly, leather (Shadow Blue)	9-21,9-23	913477	Sill carpet L.H. (Shadow Blue)	9-05
			913481	Sill carpet R.H. (Black)	9-05
913048	Rear seat squab assembly,leather(Grey)	9-21,9-23	913482	Sill carpet R.H. (Burgundy)	9-05
913051	Rear seat squab assembly,Cloth(Black)	9-21,9-23	913483	Sill carpet R.H. (New Tan)	9-05
913052	Rear seat squab assembly, Cloth (Matador Red)	9-21,9-23	913487	Sill carpet R.H. (Shadow Blue)	9-05
913053	Rear seat squab assembly, Cloth (New Tan)	9-21,9-23	913511	Radiator frontal grille and headlamp surround Assy. L.H.	8-53
913057	Rear seat squab assembly, Cloth (Shadow Blue)	9-21,9-23	913512	Radiator frontal grille & headlamp surround Assy. R.H.	8-53
913058	Rear seat squab assembly,Cloth(Grey)	9-21,9-23	913514	Bar, front bumper	8-79
			913516	Bar, rear bumper	8-79

NUMERICAL INDEX

Part No.	Description	Ref.No.	Part No.	Description	Ref.No.
913523	Backlight surround finisher, lower (New Tan)	8-86	914781	Front floor carpet L.H. L.H.S. (Black)	9-04
913532	Seal, outlet hose	8-76	914782	Front floor carpet L.H. L.H.S.(Burgundy)	9-04
913534	Heater box and seals assembly	8-76	914783	Front floor carpet L.H. L.H.S.(New Tan)	9-04
913775	Body shell assembly, primed R.H.S. with Bonnet,doors and boot lid(2 door,2 headlamp type vehicle)	8-46	914787	Front floor carpet L.H. L.H.S. (Shadow Blue)	9-04
913776	Body shell assembly primed,L.H.S. with bonnet,doors and boot lid(2 door,2 headlamp type vehicle)	8-46	914811	Front floor carpet R.H. L.H.S.(Black)	9-04
913823	Body shell assembly primed R.H.S. with bonnet,doors and boot lid	8-47	914812	Front floor carpet R.H. L.H.S.(Burgundy)	9-04
913824	Body shell assembly primed, L.H.S. with bonnet, doors and boot lid	8-47	914813	Front floor carpet R.H. L.H.S.(New Tan)	9-04
914751	Front floor carpet L.H. R.H.S. (Black)	9-04	914817	Front floor carpet R.H. L.H.S.(Shadow Blue)	9-04
914752	Front floor carpet L.H. R.H.S.(Burgundy)	9-04	914821	Rear floor carpet (Black)	9-05
914753	Front floor carpet L.H. R.H.S. (New Tan)	9-04	914822	Rear floor carpet (Burgundy)	9-05
914757	Front floor carpet L.H. R.H.S. (Shadow Blue)	9-04	914823	Rear floor carpet (New Tan)	9-05
914761	Front floor carpet R.H. R.H.S. (Black)	9-04	914827	Rear floor carpet (Shadow Blue)	9-05
914762	Front floor carpet R.H. R.H.S.(Burgundy)	9-04	914841	Rear floor carpet (Black)	9-05
914763	Front floor carpet R.H. R.H.S. (New Tan)	9-04	914842	Rear floor carpet (Burgundy)	9-05
914767	Front floor carpet, R.H. R.H.S. (Shadow Blue)	9-04	914843	Rear floor carpet (New Tan)	9-05
			914847	Rear floor carpet (Shadow Blue)	9-05
			914901	Gearbox cover carpet (Black)	9-04
			914902	Gearbox cover carpet (Burgundy)	9-04
			914903	Gearbox cover carpet New Tan	9-04
			914907	Gearbox cover carpet (Shadow Blue)	9-04

NUMERICAL INDEX

Part No.	Description	Ref.No.	Part No.	Description	Ref.No.
915371	Seat frame L.H.	9-16	916217	Front seat assembly	9-15
915372	Seat frame R.H.	9-16		L.H.Cloth(Shadow	
915386	Torsion bar	9-16		Blue)	
916171	Front seat assembly L.H.	9-15	916218	Front seat assembly	9-15
	leathercloth (Black)			L.H. Cloth (Grey)	
916173	Front seat assembly L.H.	9-15	916221	Front seat assembly	9-15
	leathercloth (New Tan)			R.H. Cloth (Black)	
916177	Front seat assembly L.H.	9-15	916223	Front seat assembly	9-15
	leathercloth (Shadow			R.H. Cloth(New Tan)	
	Blue)		916227	Front seat assembly	9-15
916178	Front seat assembly L.H.	9-15		R.H. Cloth (Shadow	
	leathercloth (Grey)			Blue)	
916181	Front seat assembly R.H.	9-15	916228	Front seat assembly	9-15
	leathercloth (Black)			R.H. Cloth (Grey)	
916183	Front seat assembly R.H.	9-15	916554	Panel, roof side,	8-50
	leathercloth, (New Tan)			inner L.H.	
916187	Front seat assembly R.H.	9-15	916555	Panel, roof side	8-50
	leathercloth (Shadow		917152	Spring case	9-22
	Blue)		917360	Front bumper assembly	8-80
916188	Front seat assembly R.H.	9-15	917361	Rear bumper assembly	8-81
	leathercloth (Grey)		917655	Front bumper bar	8-80
916191	Front seat assembly L.H.	9-15	917658	Centre bar	8-81
	leather (Black)		917583	Spring case (Rear	9-24
916193	Front seat assembly L.H.	9-15		seat cushion)	
	leather (New Tan)		917659	Corner bar L.H.	8-81
916197	Front seat assembly L.H.	9-15	917660	Corner bar R.H.	8-81
	leather (Shadow Blue)		ARA.987	Sealing washer	8-17
916198	Front seat assembly L.H.	9-15	ARA.1633	Filler cap	8-17
	leather (Grey)		ARA.2404	Filler plug	8-17
916201	Front seat assembly R.H.	9-15	ATJ.6590	Bolt	8-05
	Leather (Black)		CC5011	Clip	7-28
916203	Front seat assembly R.H.	9-15	CC5012	Clip, breather hose	8-13
	Leather (New Tan)			to filler pipe	
916207	Front seat assembly R.H.	9-15	CD.22869	Sealing plug	9-29
	Leather (Shadow Blue)		CD.27769	Buffer, compensator	7-86
916208	Front seat assembly R.H.	9-15	CD.31568	Touch in paint	9-30
	Leather (Grey)			(Porcelain)	
916211	Front seat assembly L.H.	9-15	CD.32803	Socket	9-05
	Cloth (Black)		CJ.3012	Clip, breather hose	8-13
916213	Front seat assembly L.H.	9-15		to tank	
	Cloth (New Tan)		CJ.3014	Clip	7-13,7-24, 7-28,8-69

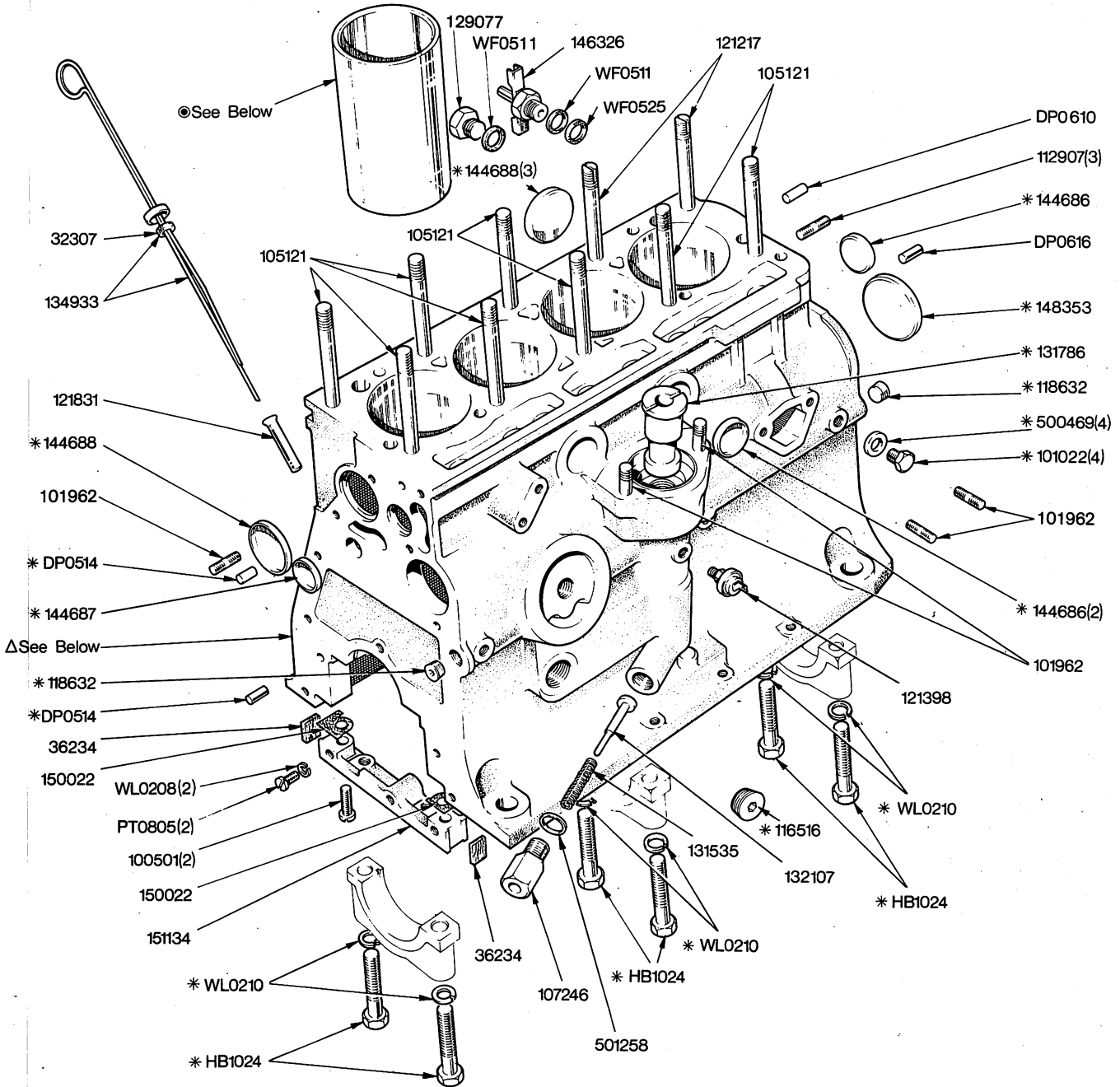
NUMERICAL INDEX

Part No.	Description	Ref.No.	Part No.	Description	Ref.No.
CS.4009	Clip,small bellows retaining	7-68	GFS.25	25 amp fuse	8-35
CS.4020	Clip,large bellows retaining,Passengers side	7-68	GFS.35	35 amp fuse	8-41
CS.4025	Clip, hose	8-13	GFU.107	Flasher unit	8-30
CS.4034	Clip, hose attachment	8-13	GHB.101	Hub inner bearing	7-55
CS.4036	Clip, hose attachment	8-13	GHB.102	Hub outer bearing	7-55
CZD.1143	Seating washer	8-59,8-67	GHB.105	Hub bearing	7-62
GBF.101	Brake and clutch fluid	8-19	GHB.180	Hub bearing	7-59,7-60
GBF.102	Brake fluid (16 oz. tin)	8-19	GHS.111	Oil seal	7-59,7-60
GBF.103	Brake and clutch fluid	8-19	GHS.146	Oil seal	7-55
GBH.130	Front brake hose	8-08	GLB.410	Headlamp bulb	8-35
GBH.135	Rear brake hose	8-11	GLB.411	Headlamp bulb	8-35
GBP.201	Brake pad	8-86	GLB.380	Bulb	8-38
GBS.536	Rear brake shoe	8-07	GLB.382	Bulb	8-37
GBS.593	Rear brake shoe	8-05	GLB.501	Bulb	8-39
GCC.134	Clutch cover	7-39	GLB.989	Bulb	8-37
GCL.106	Ignition coil	8-21	GLU.116	Light unit	8-35
GCL.111	Ignition coil	8-21	GRA.101	Rotor arm dis-tributor	8-22,8-23
GCP.190	Clutch plate	7-39	GRB.207	Clutch release bearing	8-24
GCS.101	Contact set (Distributor)	8-22,8-24	GRH.492	Radiator top hose	8-17,8-18
GDC.103	Distributor cover	8-22,8-24	GRH.493	Radiator bottom hose	8-17
GEG.414	Rocker cover gasket	7-06,7-07	GSC.101	Condenser (Distributor)	8-22,8-23
GEG.517	Sump gasket	7-05,7-20	GSS.129	Petrol locking filler cap	8-24
GEG.648	Manifold gasket	7-13,7-28	GSS.129	Petrol locking filler cap	8-13
GEG.701	Exhaust flange gasket	8-14	GTG.103	Thermostat gasket	7-11,7-26
GEG.1139	Decarbonising gasket set	7-04,7-19	GTS.104	Thermostat	7-11,7-26
GEX.1444	Front exhaust pipe	8-14	GTS.106	Thermostat	7-11,7-26
GEX.3376	Rear exhaust pipe	8-14	GTS.111	Thermostat	7-11,7-26
GEX.3437	Silencer assembly	8-14	GTS.113	Thermostat	7-11,7-26
GEX.3438	Tail pipe	8-14	GTU.153	Touch in paint (White)	9-30
GEX.7331	Flexible mounting	8-14	GTU.154	Touch in paint (Signal Red)	9-30
GFB.105	Fan belt	7-10,7-25	GTU.156	Touch in paint (Wedgwood Blue)	9-30
GFB.142	Fan belt	7-10,7-25	GTU.157	Touch in paint (Royal Blue)	9-30
GFE.119	Oil filter	7-12,7-27	GTU.161	Touch in paint (Sienna Brown)	9-30
GFE.1020	Air cleaner element	7-17,7-35			
GFE.1037	Air cleaner element	7-36			
GFG.117	Flange gasket	7-59,7-60			

NUMERICAL INDEX

Part No.	Description	Ref.No.	Part No.	Description	Ref.No.
GTU.163	Touch in paint (Laurel Green)	9-30	SU-AUD-3310	Needle guide	7-16,7-32 7-34
GTU.164	Touch in paint (Slate Grey)	9-30	SU-AUD-9095	Needle and seat	7-16,7-32 7-34
GTU.166	Touch in paint (Valencia Blue)	9-30	SU-CUD-1020	Needle assembly	7-16
GTU.167	Touch in paint (Damson)	9-30	SU-CUD-2395	Temperature com- pensator	7-31
GTU.276	Touch in paint (Saffron)	9-30	SU-CUD-4103	Carburettor damper	7-16 7-32,7-34
GTU.277	Touch in paint (Pimento)	9-30	TKC.0249	Cyl. Head gasket	7-06
GTU.278	Touch in paint (Sapphire Blue)	9-30	UKC.0565	1300cc Short engine unit	7-04
GTU.281	Touch in paint (Emerald Green)	9-30	UKC.0566	1500cc Short engine unit	7-19
GTU.282	Touch in paint (Mallard)	9-30	UKC.0765	Service kit (Rear wheel cylinder)	8-07
GTU.283	Touch in paint (Ice Blue)	9-30	UKC.0766	Service kit (Front wheel cylinder)	8-04
GUT.106	Universal joint	7-47,7-65	YKC.0195	Front brake Assy.L.H.	8-04
GWB.116	Wiper arm	8-27	YKC.0196	Front brake Assy.R.H.	8-04
GWC.603	Front wheel cylinder L.H.	8-04	2A.7226	Bolt	7-59,7-60
GWC.604	Front wheel cylinder R.H.	8-04	11H.1196	Clamp	8-17
GWC.1208	Rear wheel cylinder	8-05	11H.1197	Seating washer	8-17
GWC.1502	Rear wheel cylinder	8-07	21H.5097	Oil seal	7-59,7-60
N.9.Y.	Sparking plug	8-21	21H.5478	Differential casing	7-62
NKC.0116	Water valve and spindle	8-76	21H.5479	Bolt	7-62
NKC.0117	Valve screw	8-76	21H.5632	Centre bearing housing	7-65
NKC.0119	Retainer	8-76	21H.6060	Rear axle breather	7-59,7-60
NKC.0120	Inner guide	8-76	24G.3392	Seating washer	8-59
NKC.0121	Cover	8-76	90/79075	Nut (Lamp attachment)	8-37
NKC.0122	Seal	8-76	90/559061	Rear courtesy light switch	8-41
SU-AUD-515	Carburettor(1300 cc)	7-15	90/559062	Front courtesy light switch	8-41
SU-AUD-516	Carburettor(1500 cc)	7-31			
SU-AUD-519F	Front carburettor	7-33			
SU-AUD-519R	Rear carburettor	7-33			
SU-AUD-1021	Needle assembly	7-34			
SU-AUD-3308	Needle screw	7-16,7-32 7-34			

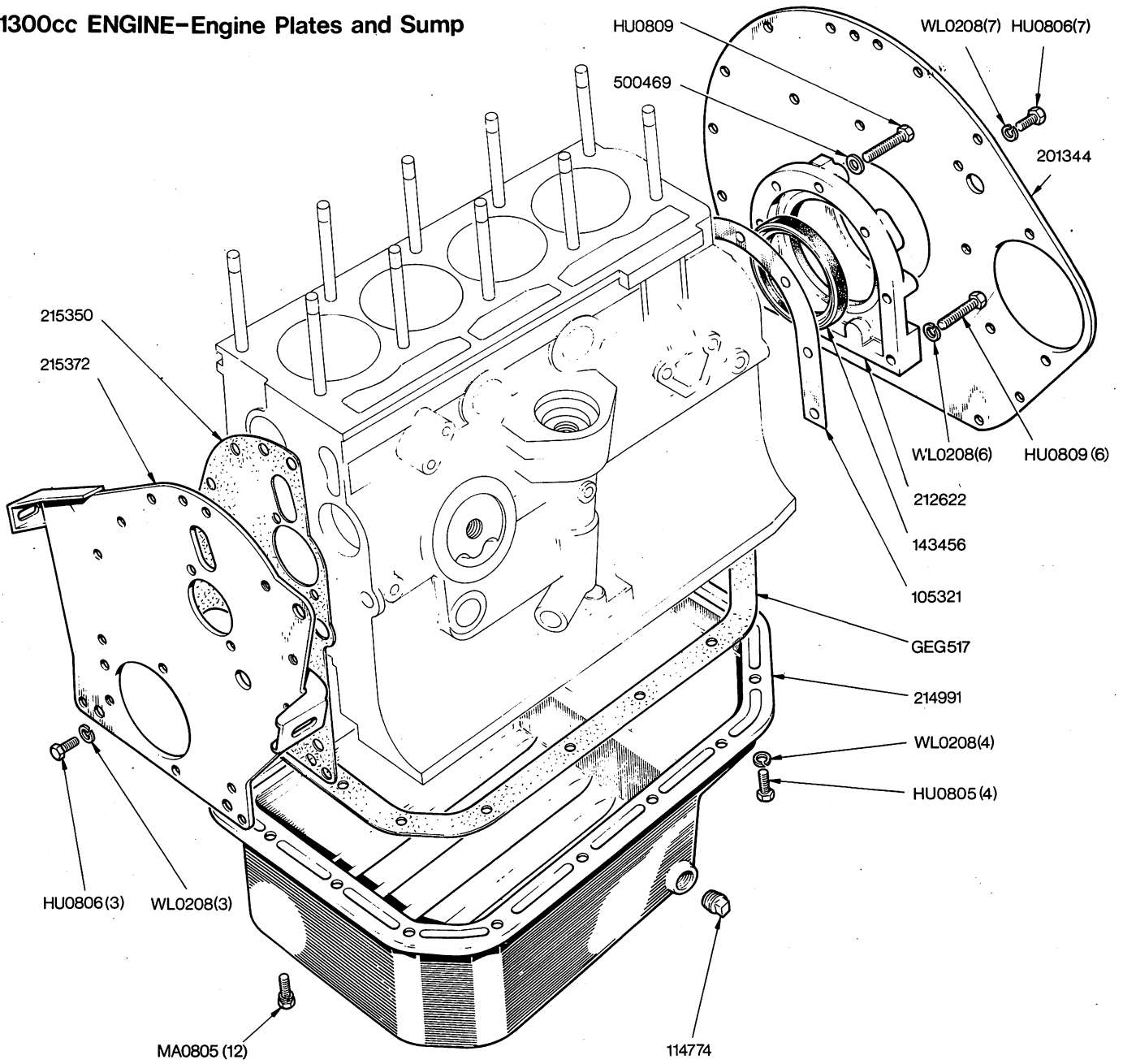
1300cc ENGINE—Cylinder Block and Liner



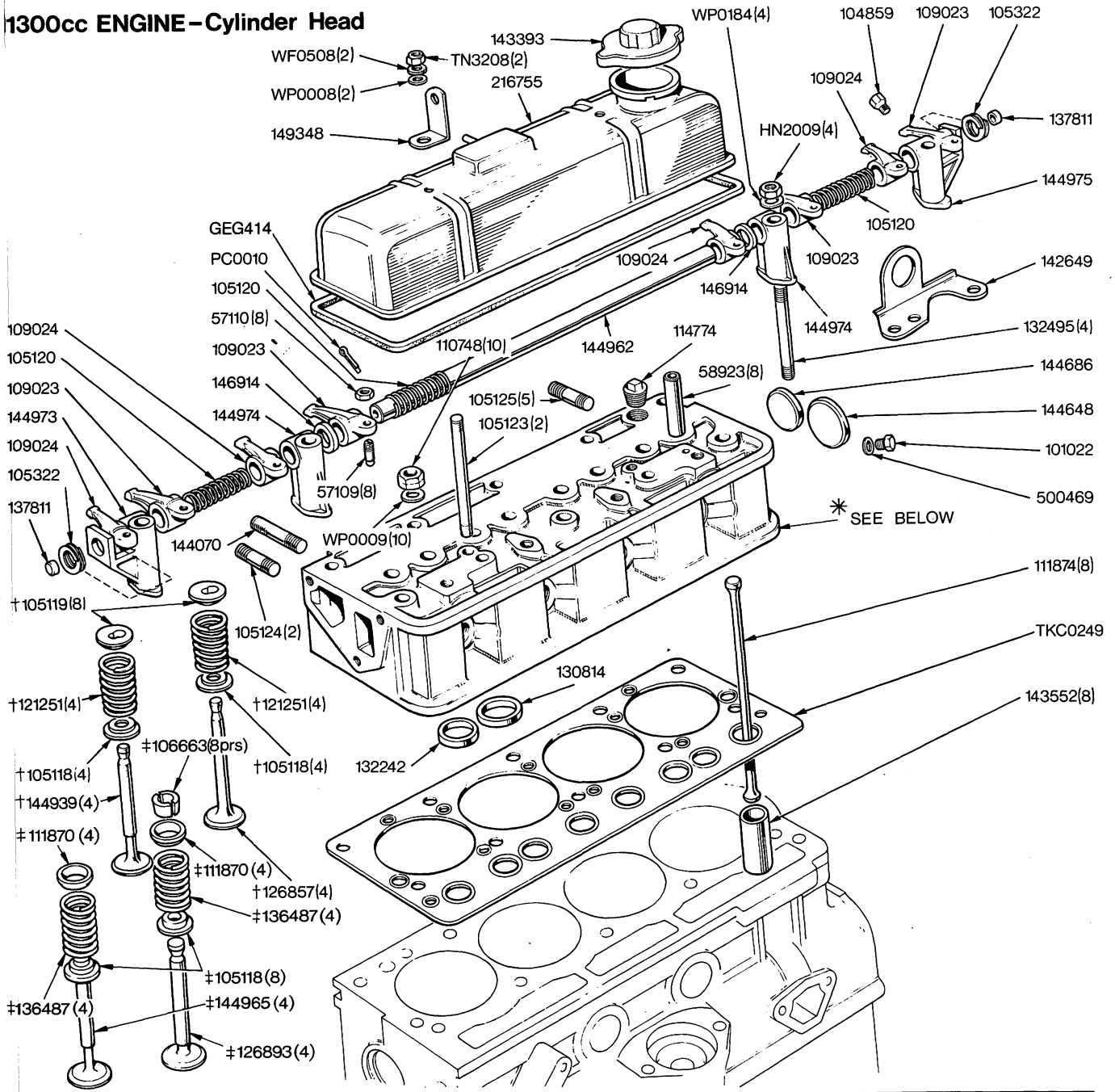
NOTE
 Use Decarbonising Gasket Set in conjunction with Conversion Gasket Set for complete engine strip

519211	Engine Unit—8.5:1 ratio	1 off	UKC 0565	Short Engine Unit (Comprising Cylinder Block, Crankshaft, Pistons, Conn Rods and Bearings)	1 off	Fitted from Engine No. DG25001E and future
519212	Engine Unit—7.5:1 ratio	1 off	Δ520244	Cylinder Block Assembly (Comprising items marked thus *)	1 off	
Δ519929	Cylinder Block Assembly (Comprising items marked thus *)	1 off	©158940	Cylinder Liner	4 off	Fitted up to Engine No. DG25000E only
©142774	Cylinder Liner	4 off	520706	Decarbonising Gasket Set	1 off	
GEG1139	Decarbonising Gasket Set	1 off	519215	Conversion Gasket Set	1 off	
519215	Conversion Gasket Set	1 off				

1300cc ENGINE—Engine Plates and Sump



1300cc ENGINE - Cylinder Head

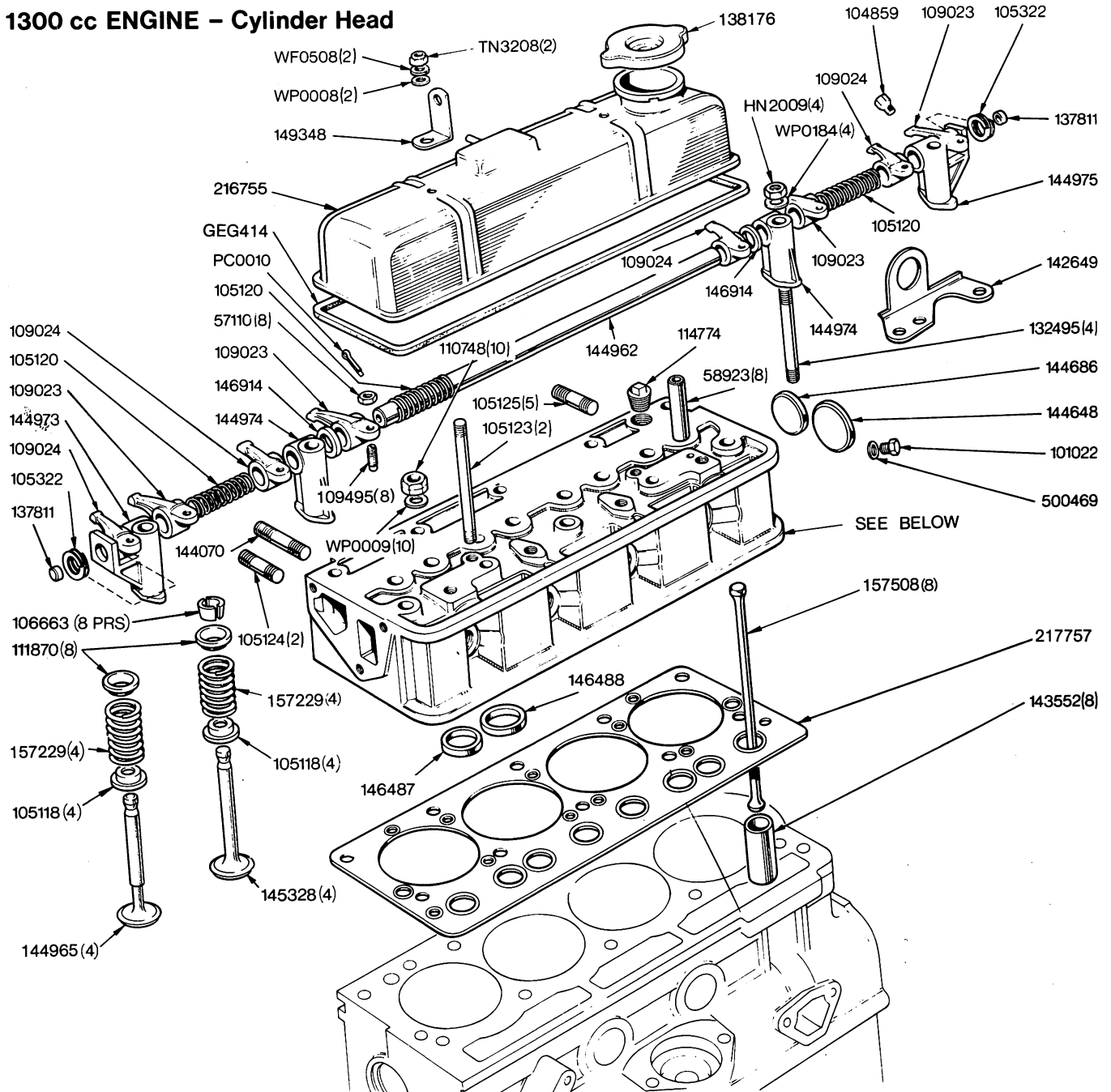


NOTE

- † * 515747 CYLINDER HEAD ASSEMBLY 1 off
(complete with valves and springs less studs)
- ‡ * 518369 CYLINDER HEAD ASSEMBLY 1 off
(complete with valves and springs less studs)
- 515748 CYLINDER HEAD ASSEMBLY 1 off
(less valves, springs and studs)
- 501651 WELLSEAL JOINTING COMPOUND A/R.
(cylinder head to block)
- ‡ Alternative fitment to items marked † in Engine Sets only

Fitted up to Engine No. DG25000E only
(See Plate A3a for future)

1300 cc ENGINE - Cylinder Head



NOTE

The details on this plate are fitted from Engine No. DG25001E and future. (See Plate A3 for previous)

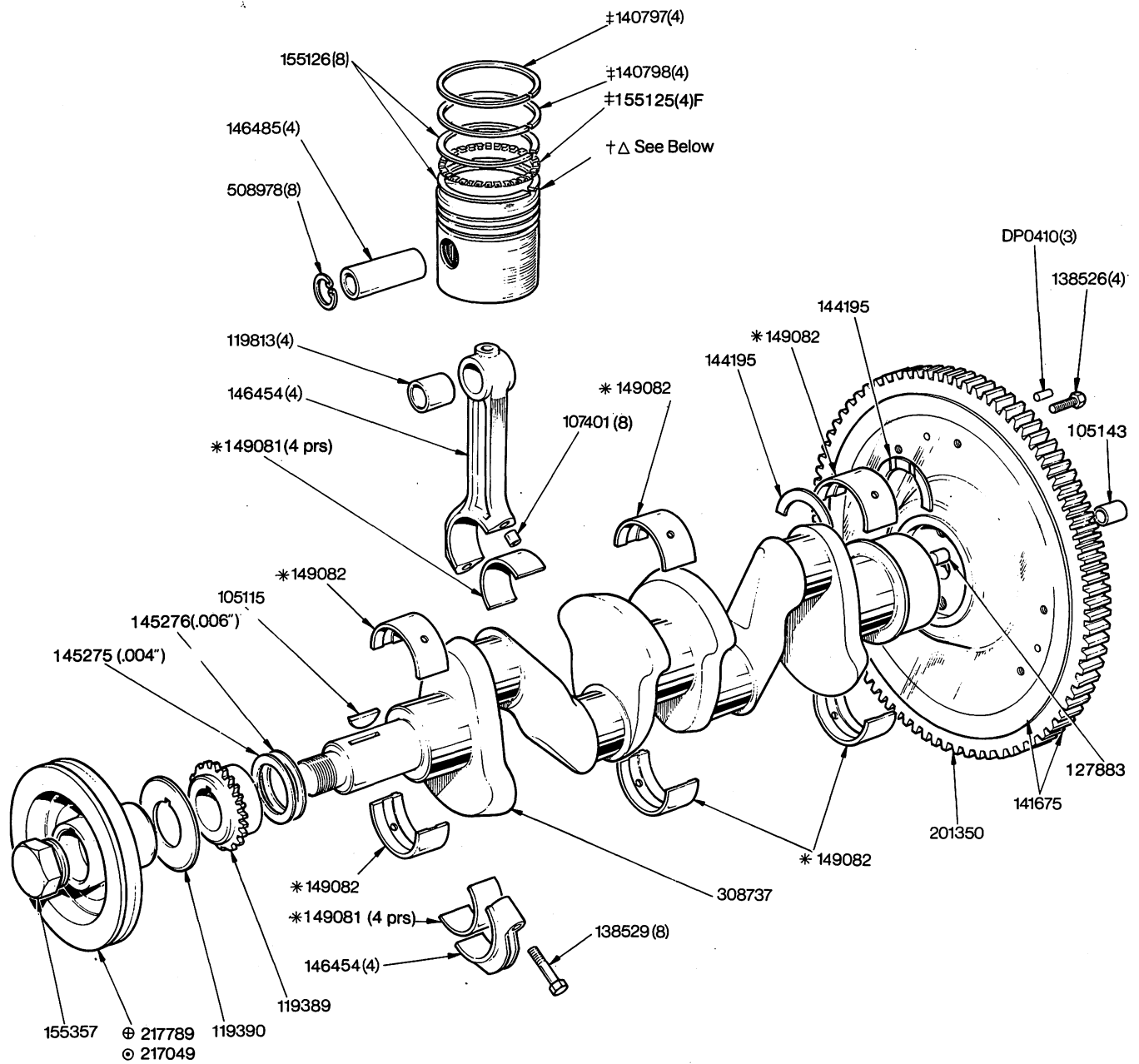
520704	Cylinder Head Assembly-8.5:1 ratio (Complete with valves, springs less studs)	1 off
218141	Cylinder Head Assembly-8.5:1 ratio (Less valves, springs and studs)	1 off
501651	Jointing Compound (Cylinder Head to Cylinder Block)	A/R
520705	Cylinder Head Assembly-7.5:1 ratio (Complete with valves, springs less studs)	1 off
218143	Cylinder Head Assembly-7.5:1 ratio (Less valves, springs and studs)	1 off

TOLEDO 1300 cc

PLATE A3a(07-07)

B2510

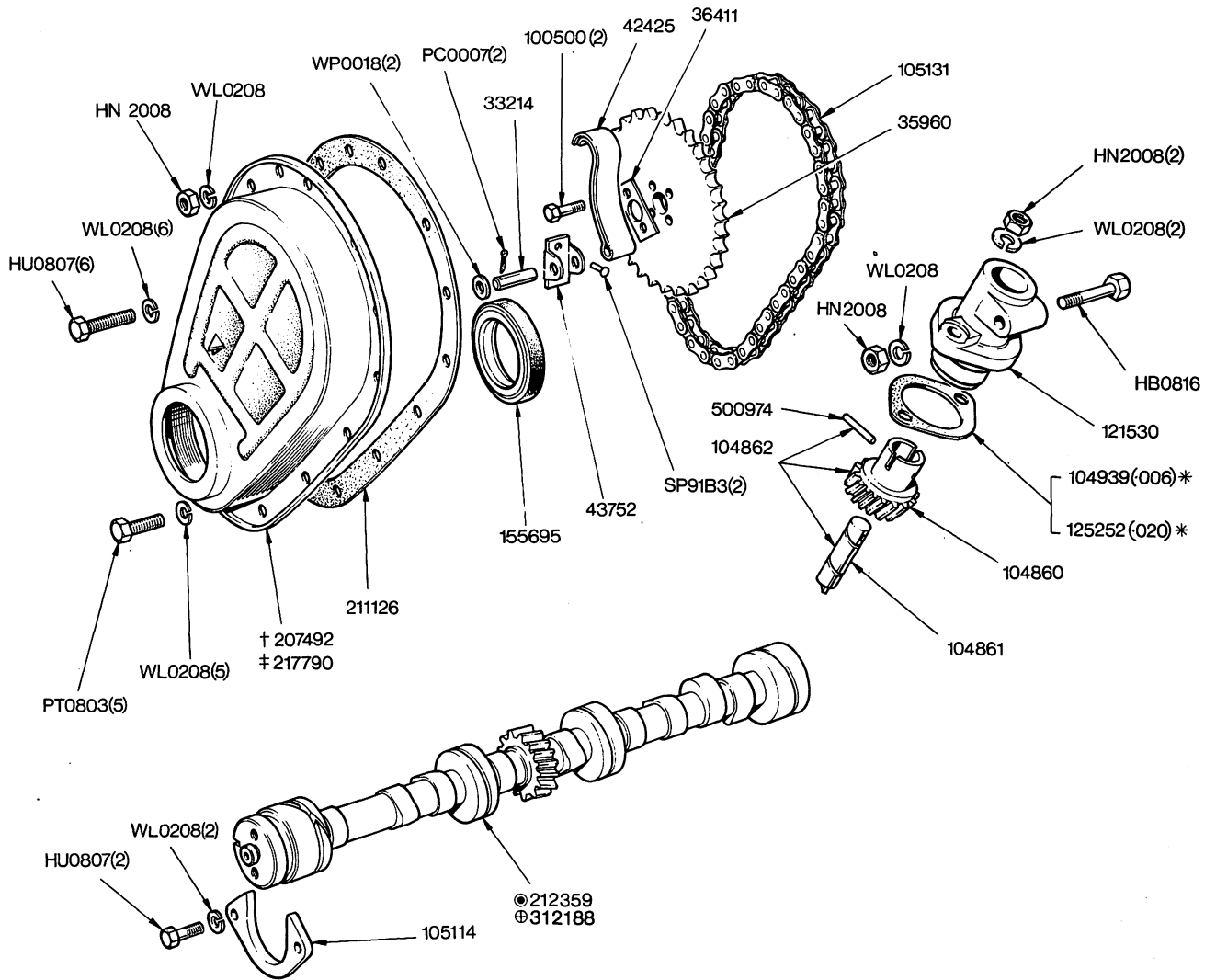
1300cc ENGINE—Crankshaft, Piston, Conn. Rod and Flywheel.



NOTE
 *Main bearings and Big End Bearings are obtainable in the following undersizes: -.010", -.020", -.030"
 † Pistons are obtainable in the following oversize: +.020"
 ‡ Piston Rings are obtainable in the following oversizes: +.010", +.020", +.030"
 Please quote Part No. and size required.
 ⊕ Fitted up to Engine No DG.4548E only
 ⊙ Fitted from Engine No DG.4549E and future
 ⊕ { 155907 Piston Assembly (High Compression) Grades F & G } Fitted up to Engine No. DG25000E only
 Δ { 155908 Piston Assembly (Low Compression) Grades F & G }
 { 155907 Piston Assembly (All Engines) Grades F & G } Fitted from Engine No. DG25001E and future

TOLEDO 1300cc **PLATE A4(07-08)** **B1740/3**

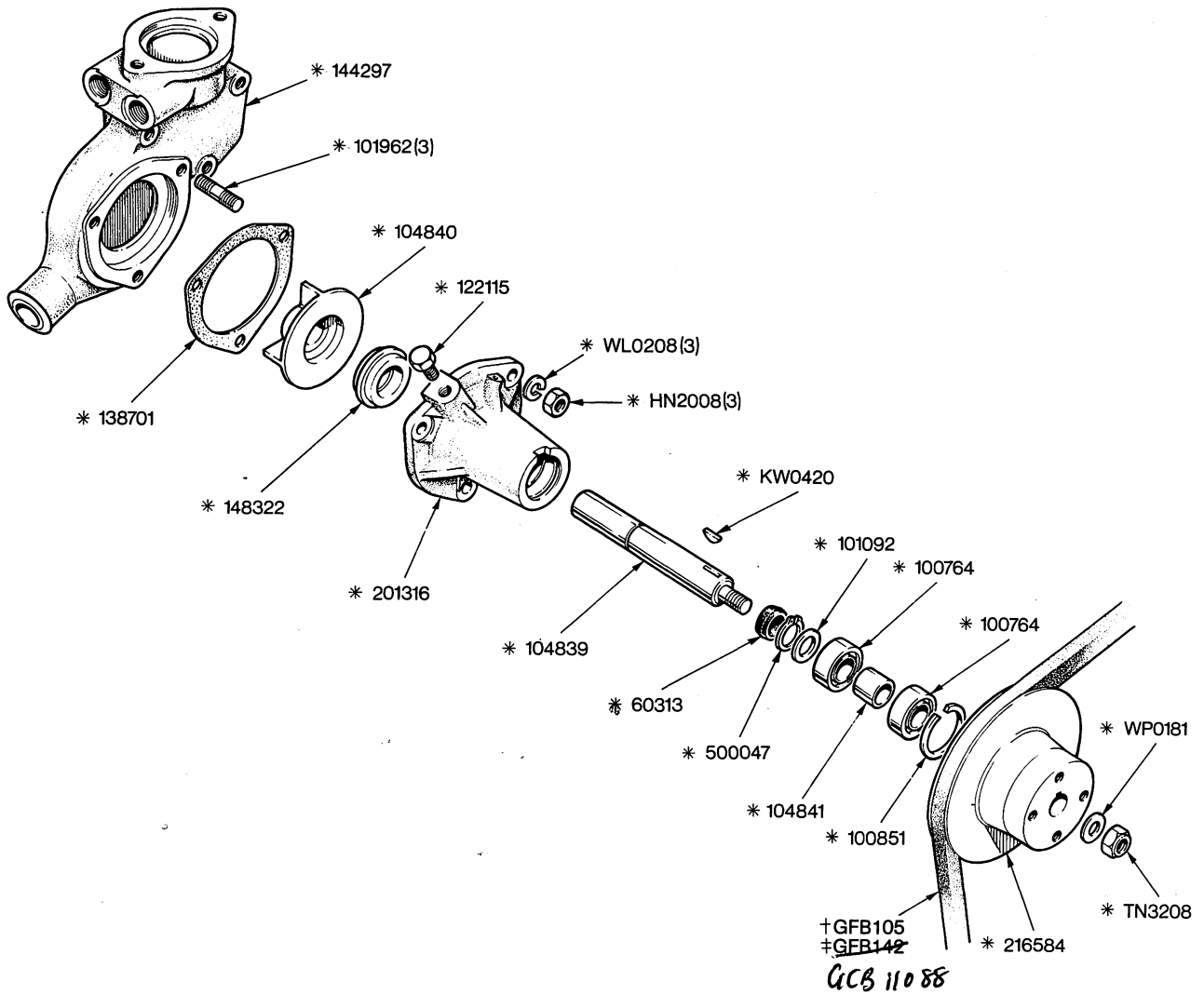
1300cc ENGINE—Camshaft, Timing Details, Distributor Pedestal



NOTE

Items marked thus * are alternative fitment and are used as required
 † Fitted up to Engine No DG12092E only
 ‡ Fitted from Engine No DG12093E and future
 ⊙ Fitted up to Engine No. DG25000E only
 ⊕ Fitted from Engine No. DG25001E and future

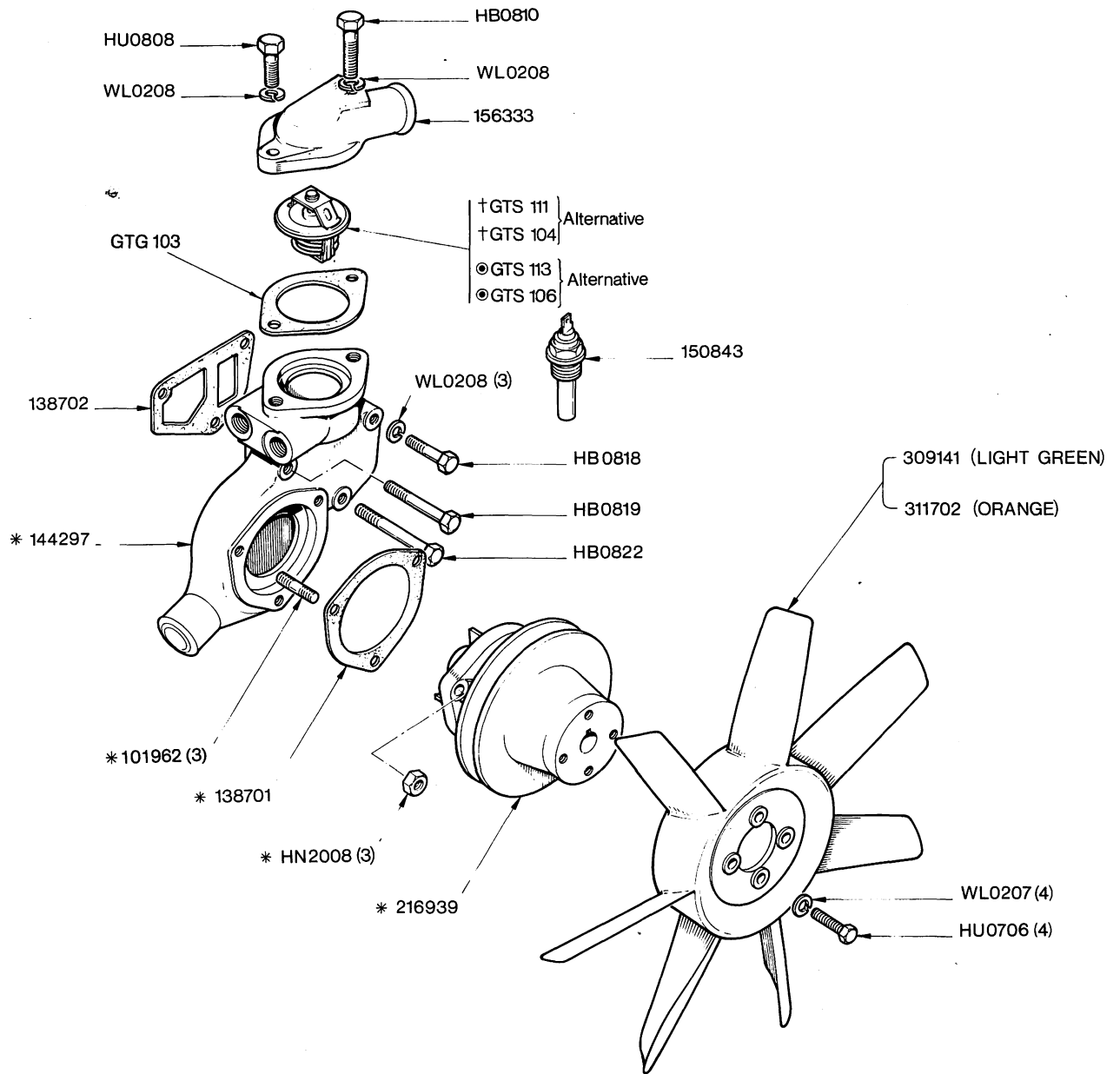
1300cc ENGINE - Water Pump, Fan Belt



NOTE
 *517257 BEARING HOUSING ASSEMBLY 1off
 *508955 WATER PUMP REPAIR KIT 1off
 Items marked thus * are fitted up to Engine No.DG1604 only
 For details fitted from Engine No.DG1605 and future see Plate A7
 †Fitted up to Commission No. DG3318E
 ‡Fitted from Engine No. DG3319E (May be used for all replacements)

TOLEDO 1300cc PLATE A6 (07-10) B1744/3

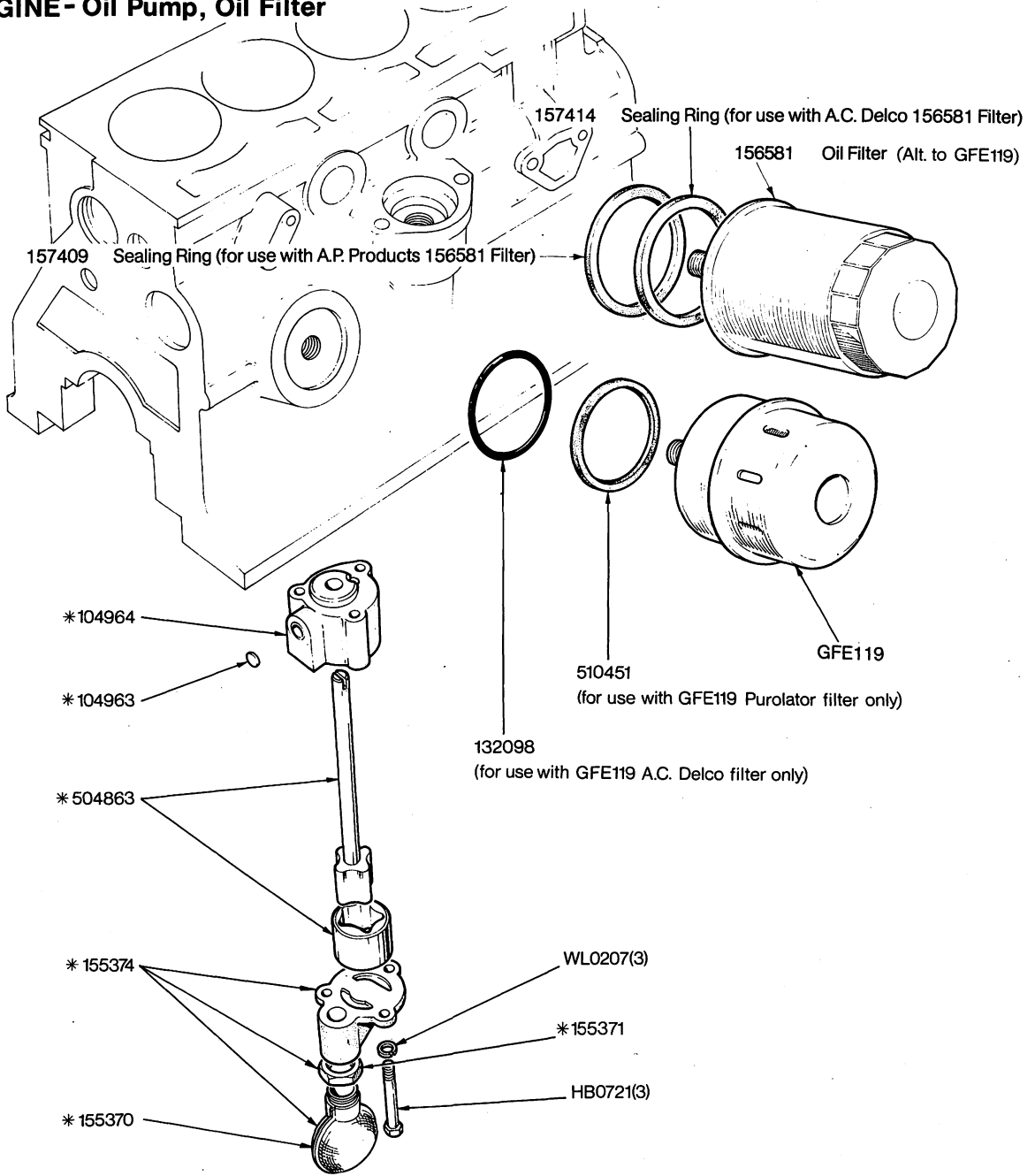
1300cc ENGINE - Water Pump, Fan



* Fitted from Engine No DG1605 and future
 † Normal type Engines
 ● Special winter condition and Swedish type Engines

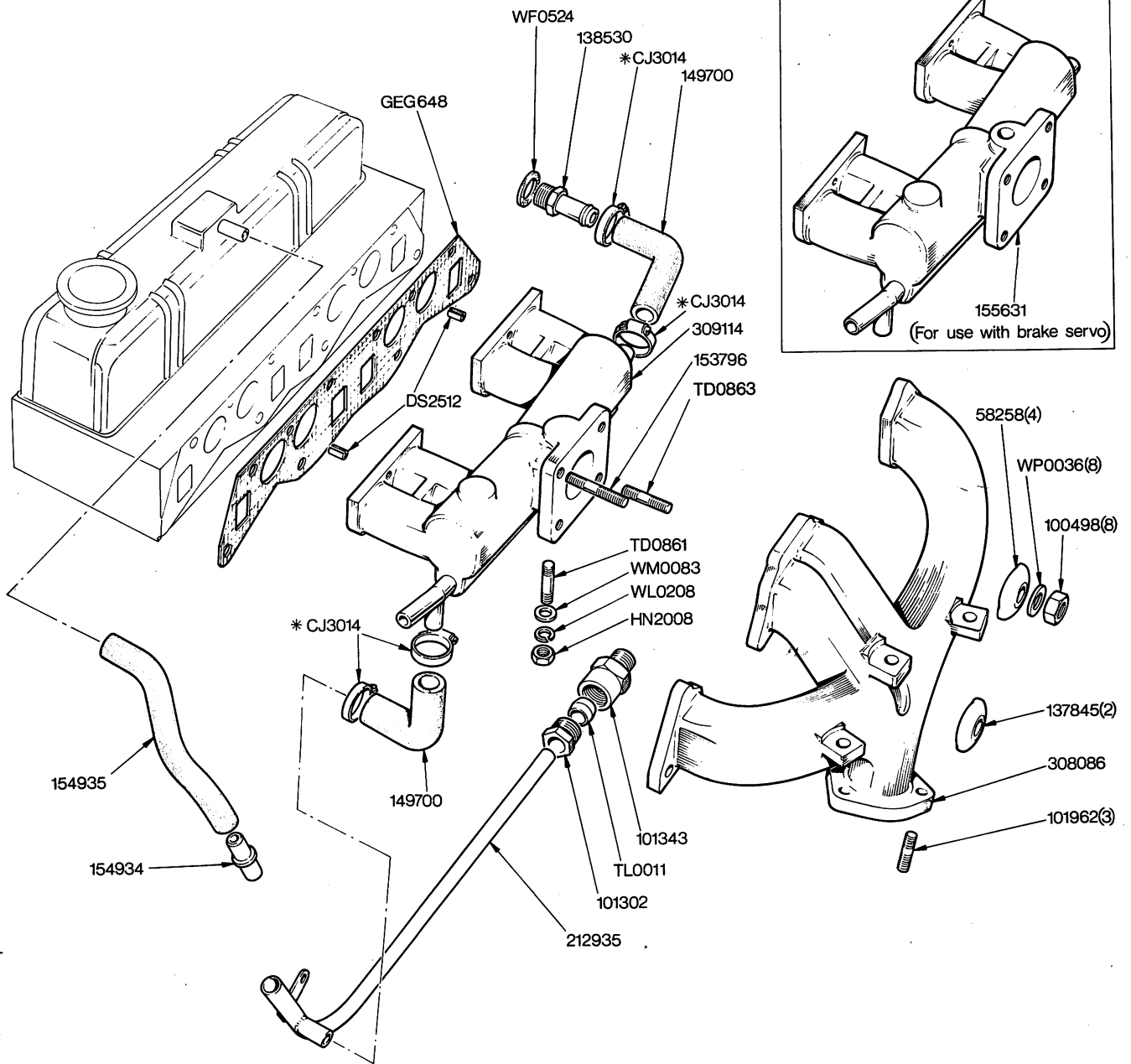
TOLEDO 1300cc **PLATE A7 (07-11)** **B1745/3**

1300cc ENGINE - Oil Pump, Oil Filter



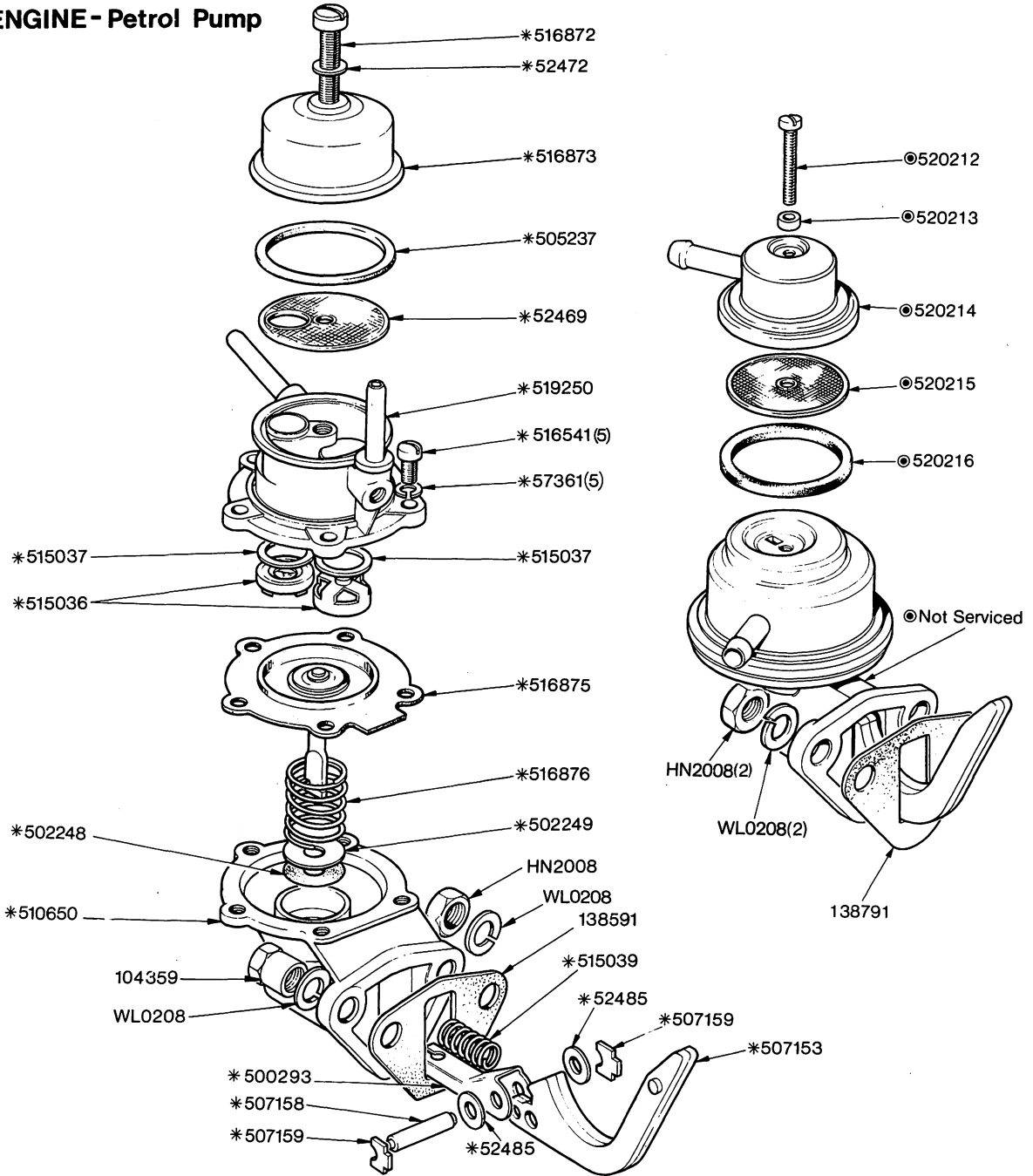
217058 Oil Pump Assembly 1 off
 Comprising items marked*

1300cc ENGINE - Manifolds and Pipes



* Part No 156736 is alternative fitment to CJ.3014

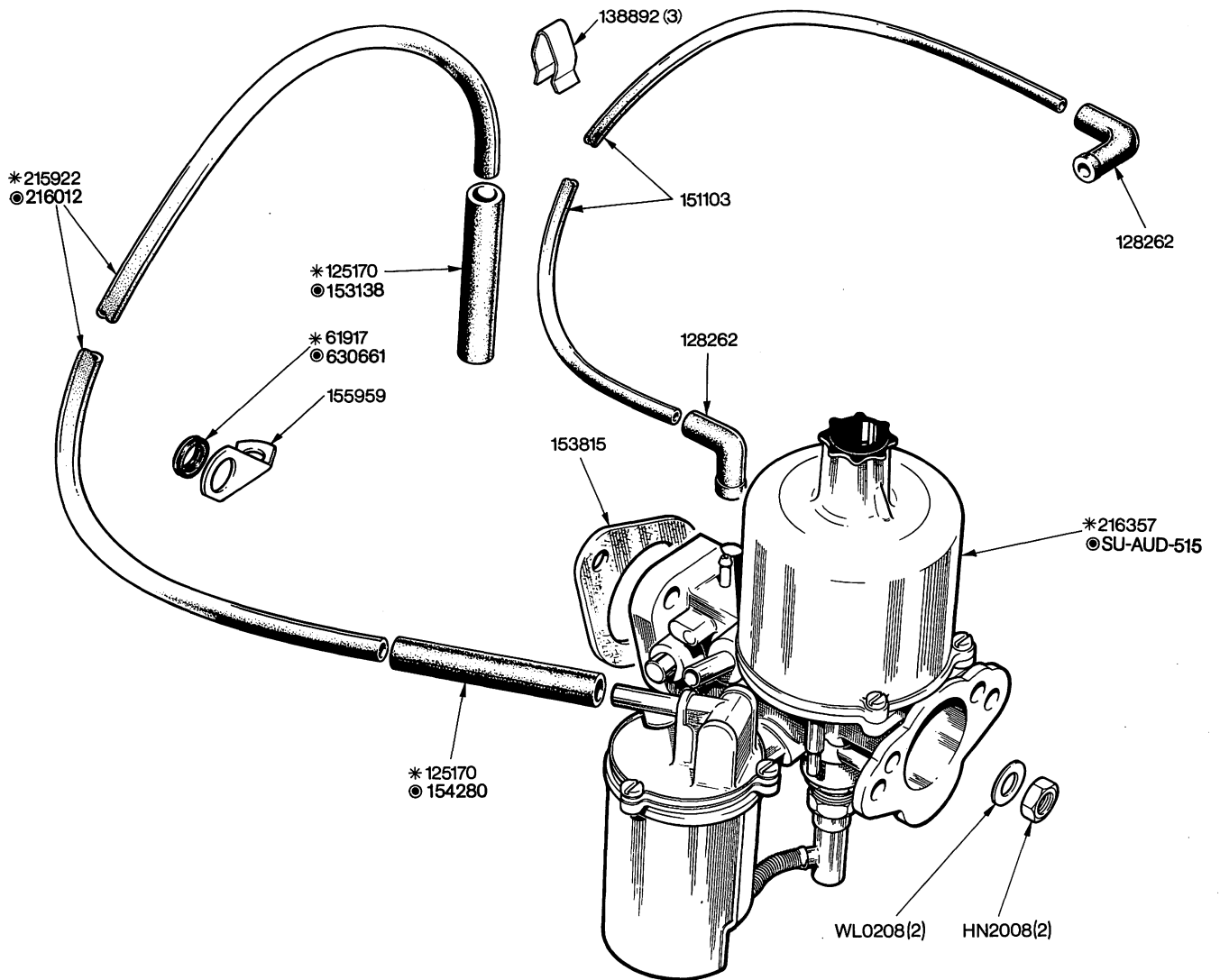
1300cc ENGINE - Petrol Pump



NOTE

217267	Petrol Pump Assembly (Comprising items indicated *)	} Alternative to 312343
* 506423	First Aid Repair Kit	
* 506424	Complete Repair Kit	
312343	Petrol Pump Assembly (Comprising items indicated ⊙)	} Alternative to 217267
⊙ 520217	First Aid Repair Kit	

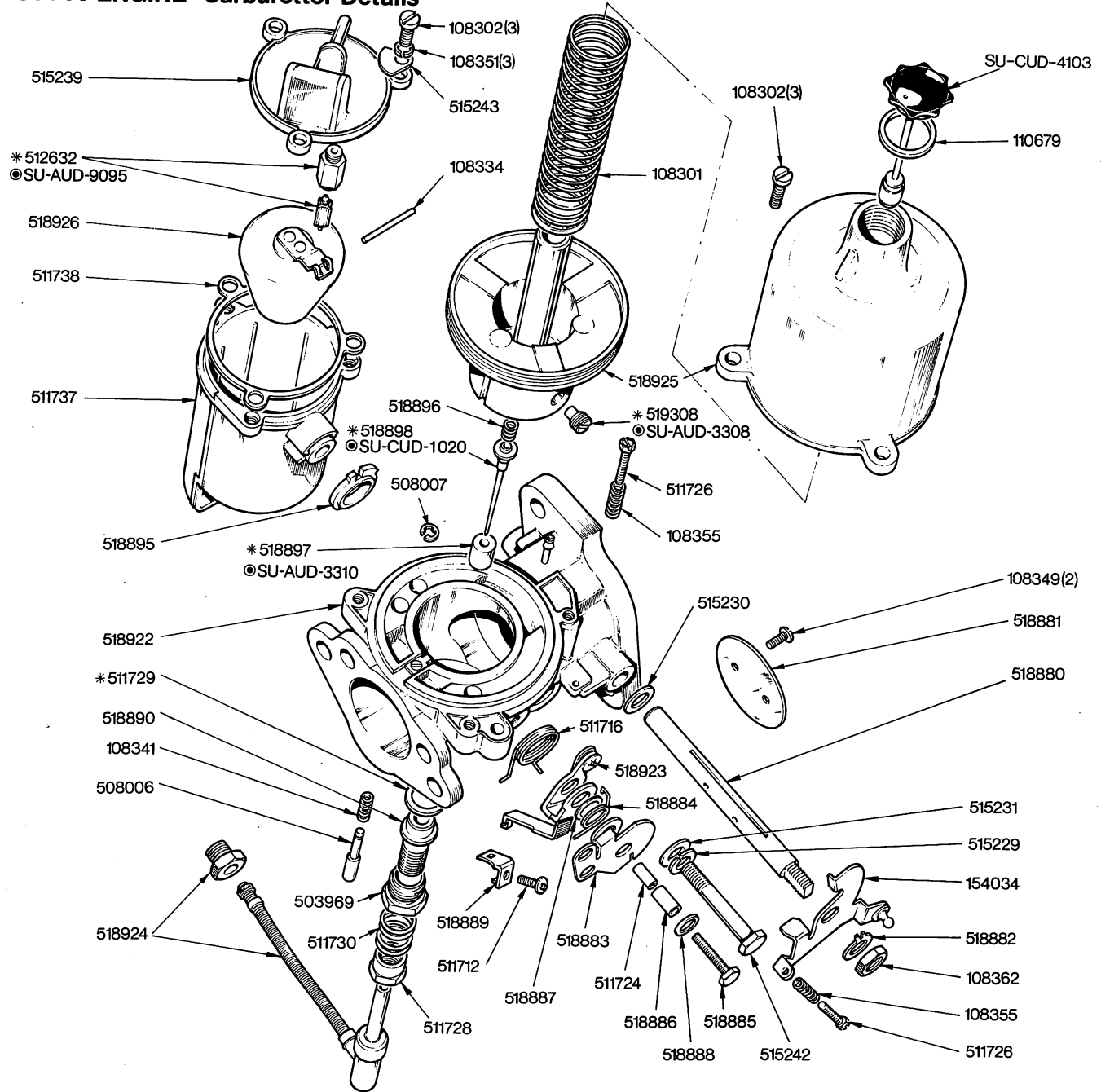
1300cc ENGINE - Carburettor Assembly, Suction Pipes



NOTE

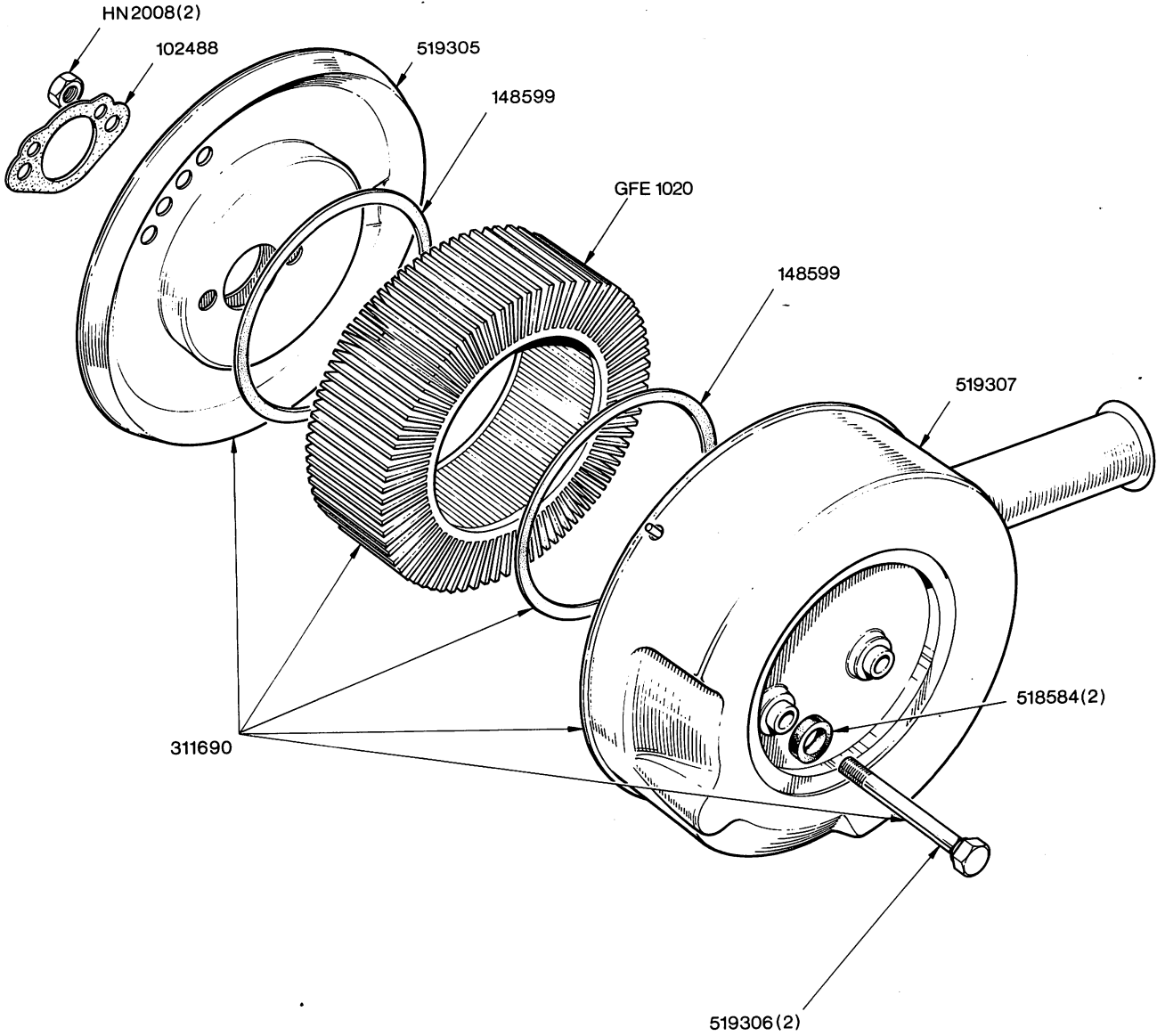
For carburettor details see Plate A12
 * Fitted up to Engine No. DG25000E only
 ● Fitted from Engine No. DG25001E and future

1300cc ENGINE - Carburettor Details

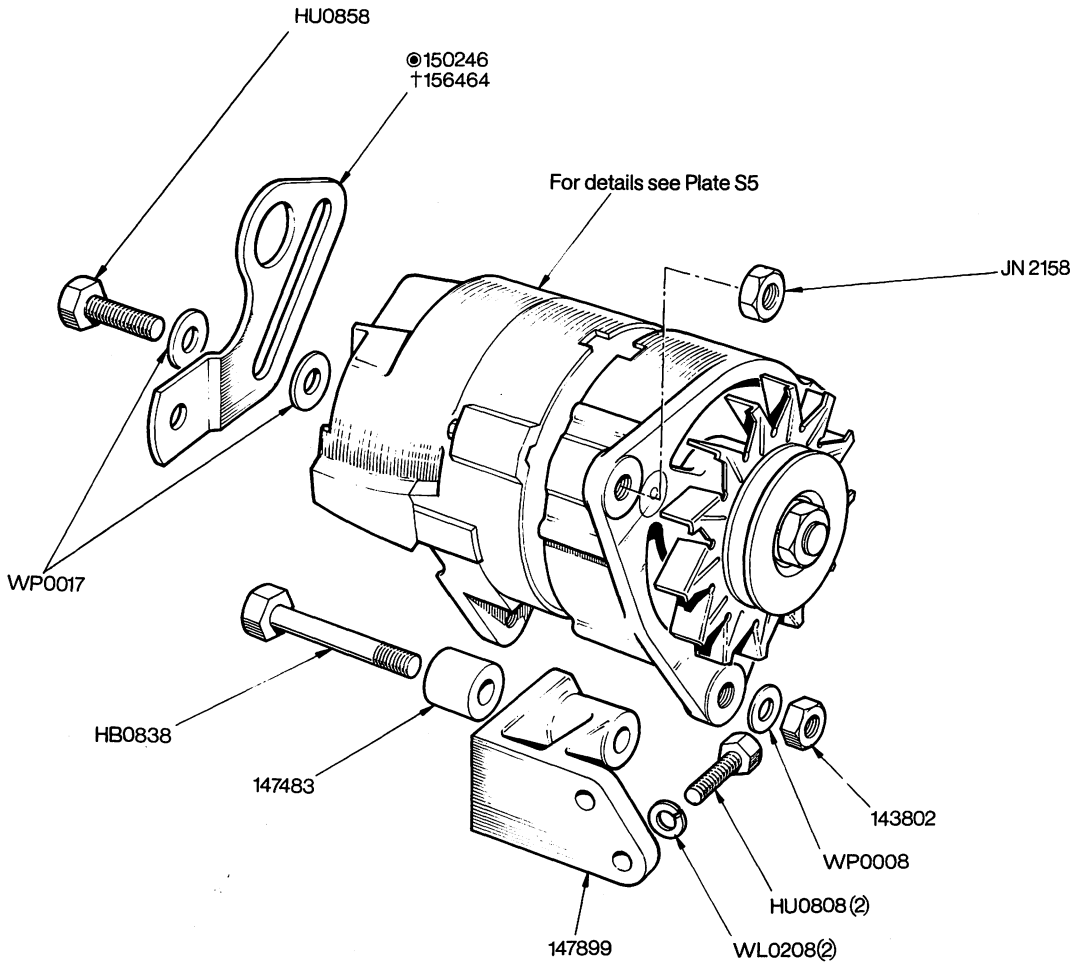


NOTE
 *Fitted up to Engine No. DG25000E only
 ©Fitted from Engine No. DG25001E and future

1300cc ENGINE - Air Cleaner



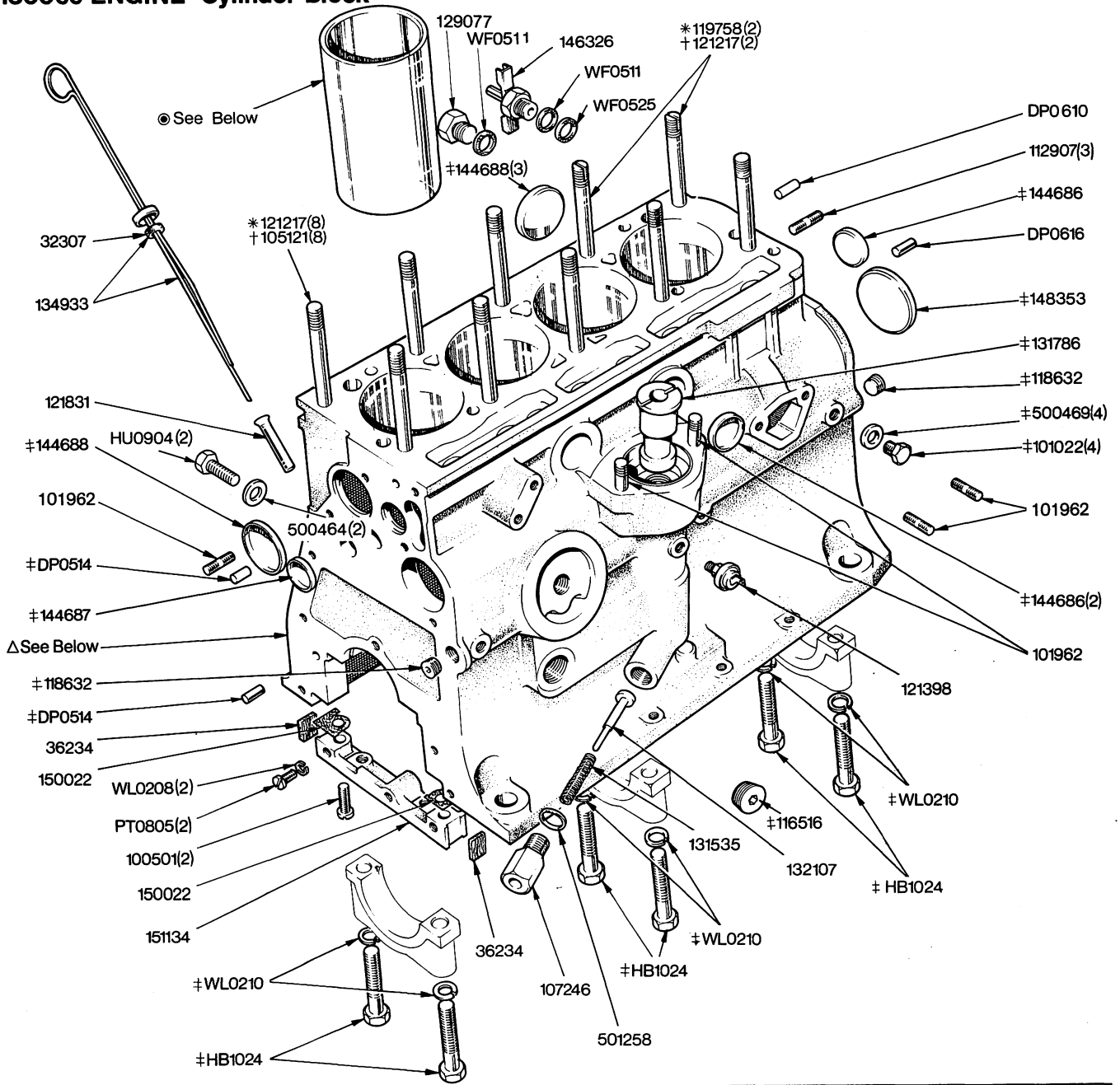
1300cc ENGINE - Alternator Mounting



NOTE

- © Fitted up to Engine No. DG9373E only
- † Fitted from Engine No. DG9374E and future

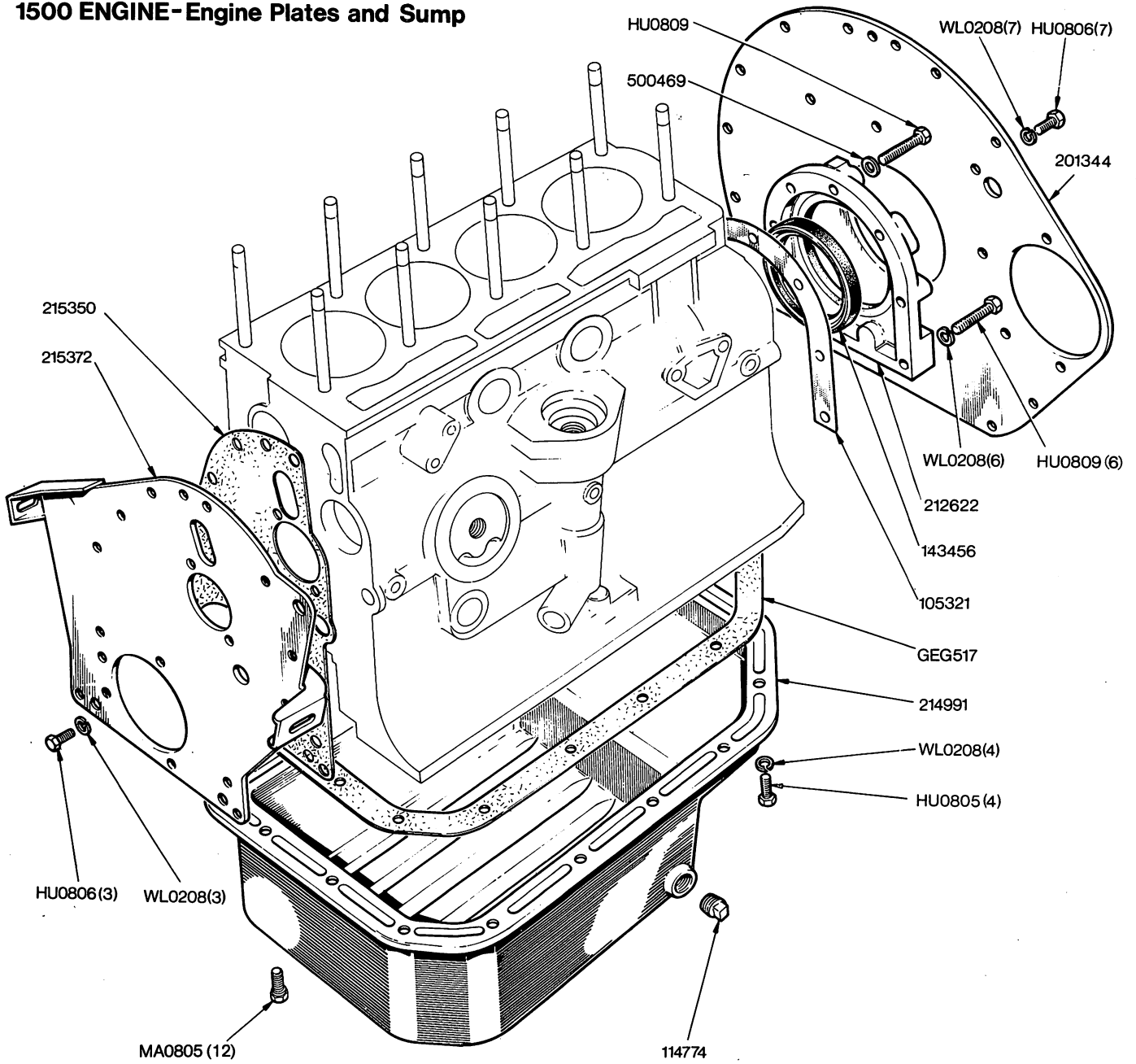
1500cc ENGINE-Cylinder Block



NOTE
 Use Decarbonising Gasket Set in conjunction with Conversion Gasket Set for complete Engine strip.
 * Low compression Engine
 † High compression Engine

519298	Engine Unit - 9.0:1 ratio	1 off	} Fitted up to Engine Nos. DM5000E DS5000E only	UKC.0566	Short Engine Unit (Comprising Cylinder Block, Crankshaft, Pistons, Conn. Rods, and Bearings)	1 off	} Fitted from Engine Nos. DM5001E DS5001E and future
519299	Engine Unit - 7.5:1 ratio	1 off		Δ520245	Cylinder Block Assembly (Comprising items marked thus †)	1 off	
Δ311728	Cylinder Block Assembly (Comprising items marked thus †)	1 off		©158941	Cylinder Liner	4 off	
©145020	Cylinder Liner	4 off		520706	Decarbonising Gasket Set	1 off	
GEG1139	Decarbonising Gasket Set	1 off		519215	Conversion Gasket Set	1 off	
519215	Conversion Gasket Set	1 off					

1500 ENGINE-Engine Plates and Sump

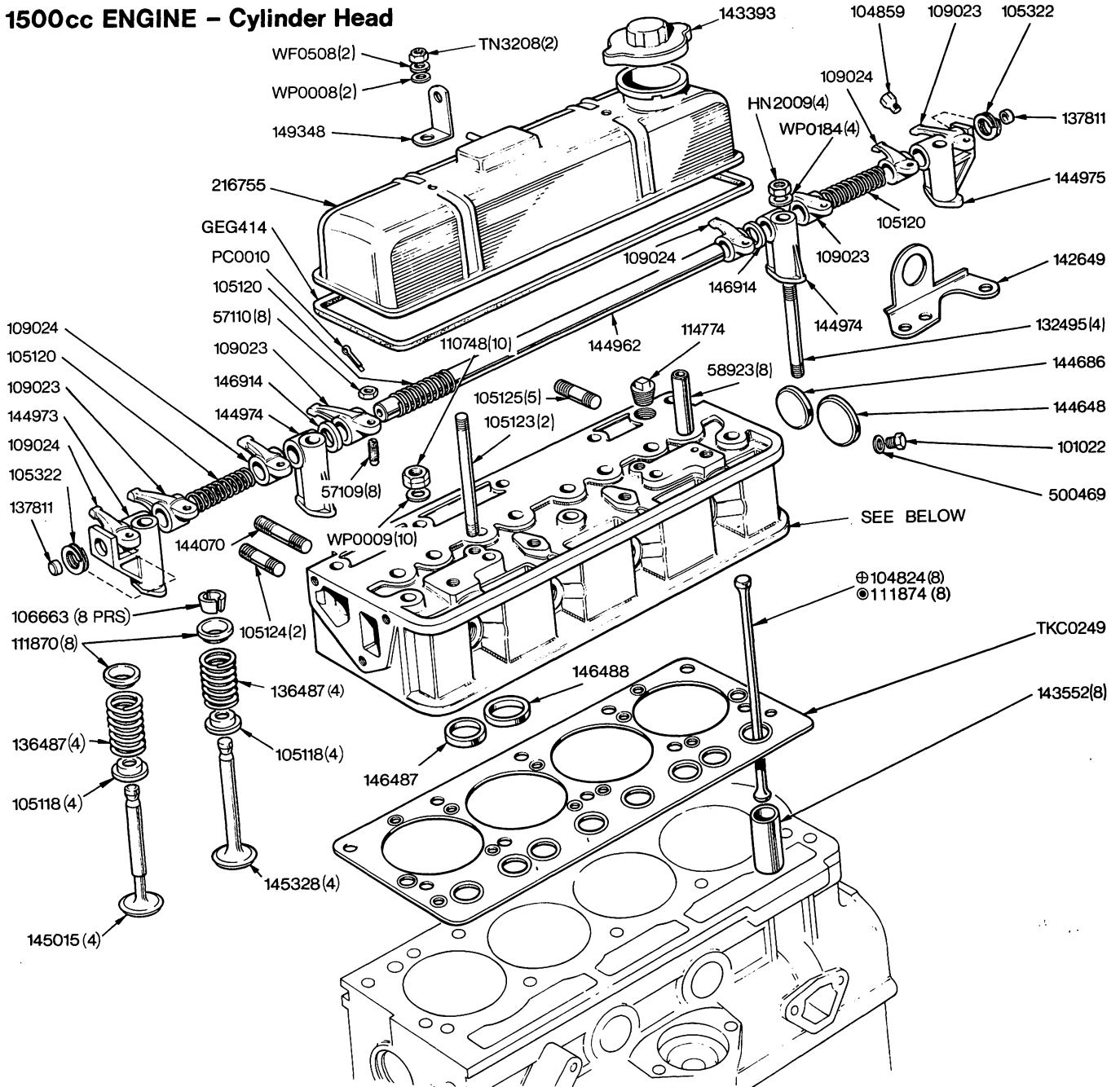


TOLEDO 1500cc

PLATE A16(07-20)

B1900/3

1500cc ENGINE - Cylinder Head



NOTE

The details on this Plate are fitted up to Engine Nos DM5000E, DS5000E only (See Plate No A17a for future)

- 519296 Cylinder Head Assembly - 9.0 : 1 ratio 1 off
(complete with valves and springs less studs)
- 519297 Cylinder Head Assembly - 9.0 : 1 ratio 1 off
(less valves, springs and studs)
- 517072 Cylinder Head Assembly - 7.5 : 1 ratio 1 off
(complete with valves and springs less studs)
- 517073 Cylinder Head Assembly - 7.5 : 1 ratio 1 off
(less valves, springs and studs)
- 501651 Wellseal Joint Compound
(cylinder head to cylinder block)

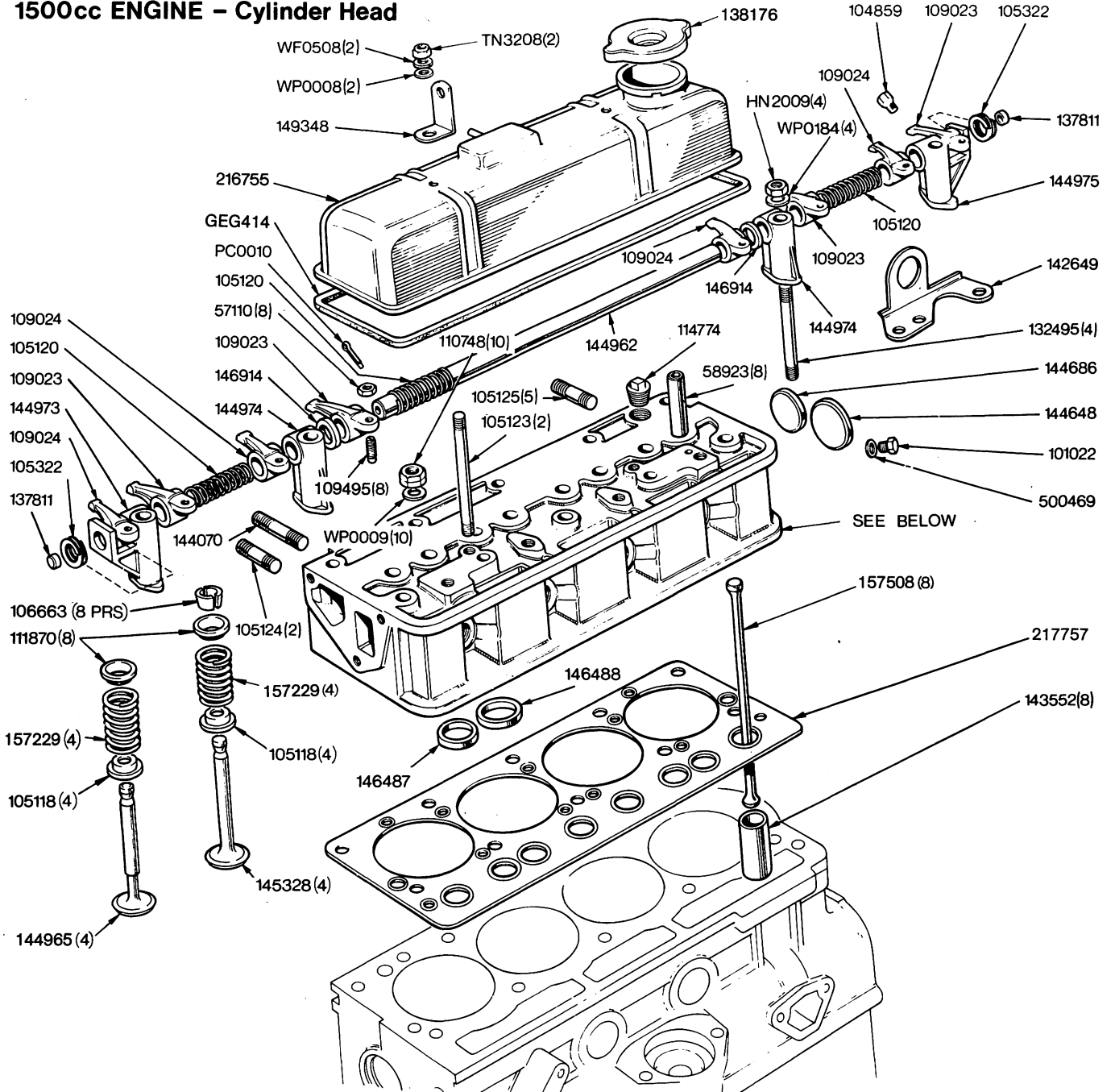
- ⊙ Fitted from Engine Nos DM2077E, DS1041E only on high compression Engines
- ⊕ Fitted on low compression Engines and from Engine Nos DM2078E, DS1042E on high compression Engines up to Engine Nos DM5000E, DS5000E only

TOLEDO 1500cc

PLATE A17(07-21)

B1901/4

1500cc ENGINE - Cylinder Head



SEE BELOW

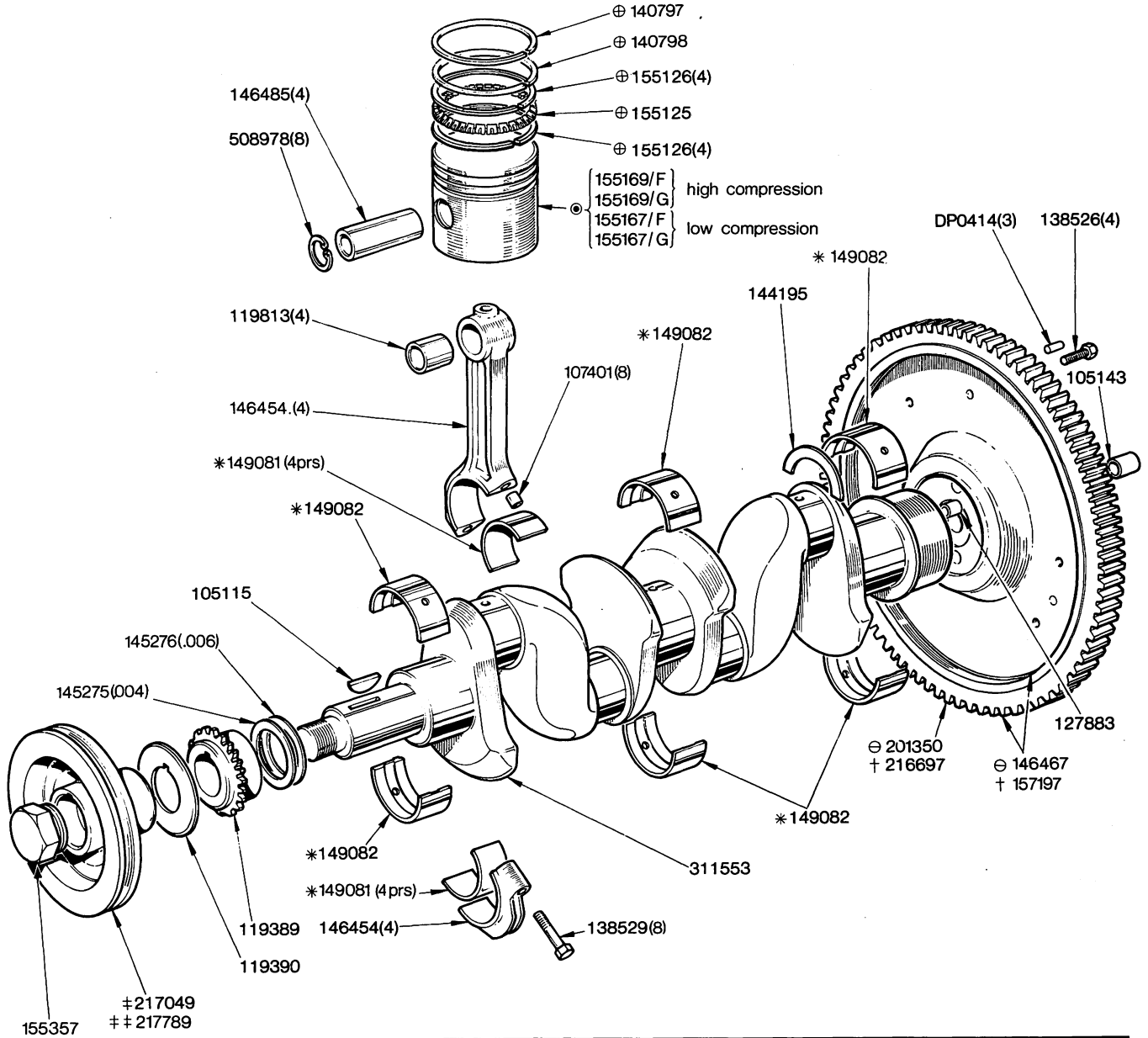
NOTE		
The details on this Plate are fitted from Engine Nos DM5001E, DS5001E and future (See Plate A17 for previous)		
520756	Cylinder Head Assembly-9.0:1 ratio (Complete with valves and springs, less studs)	1 off
218140	Cylinder Head Assembly-9.0:1 ratio (less valves, springs and studs)	1 off
520757	Cylinder Head Assembly 7.5:1 ratio (Complete with valves, springs less studs)	1 off
218139	Cylinder Head Assembly 7.5:1 ratio (less valves, springs and studs)	1 off
501651	Jointing Compound (Cylinder Head to Cylinder Block)	A/R

TOLEDO 1500cc

PLATE A 17a(07-22)

B2511

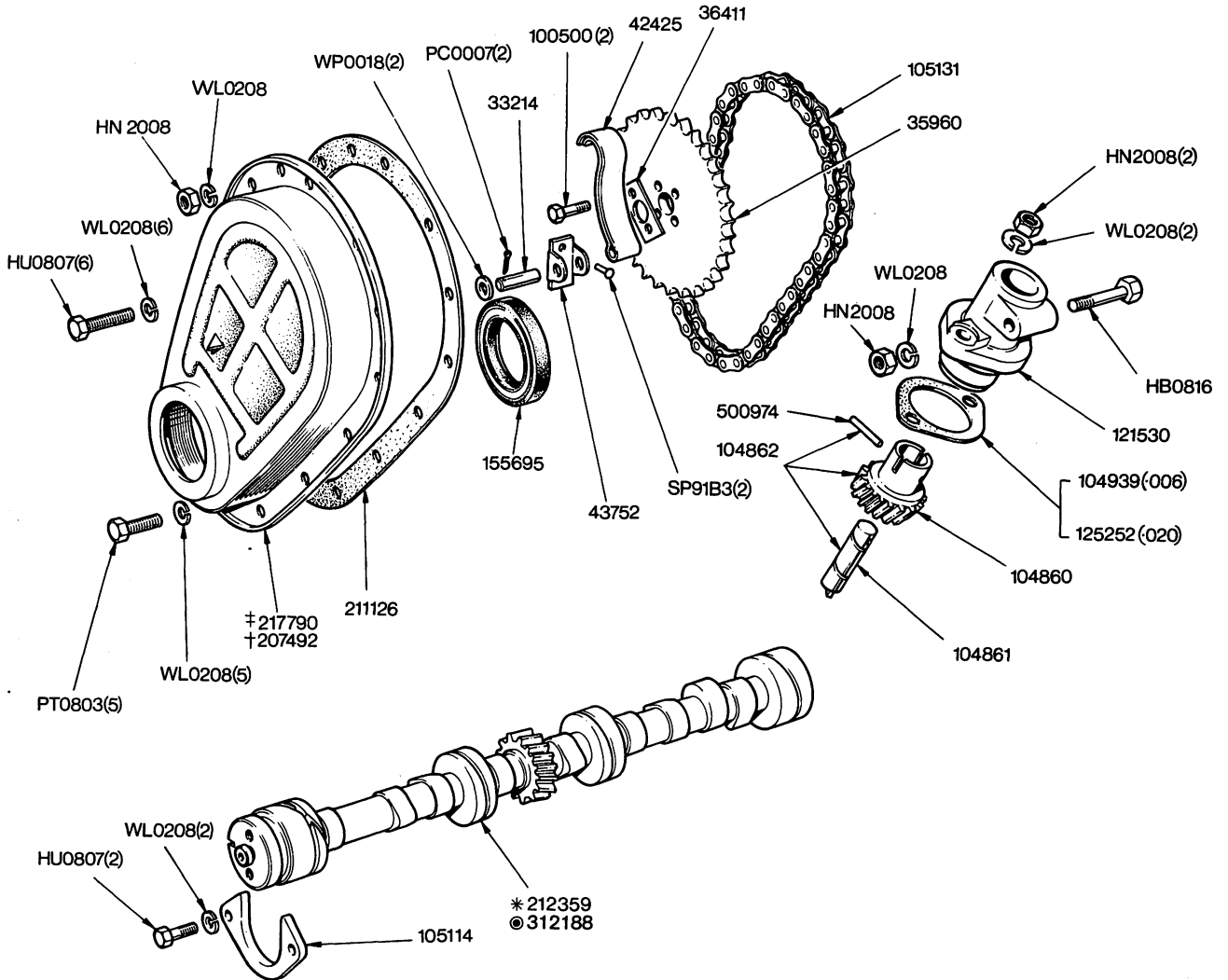
1500cc ENGINE - Crankshaft, Piston, Conn. Rod, Flywheel



NOTE:
 516107 "Loctite" studlock A/R
 *Main Bearings and Big End Bearings are obtainable in the following undersizes:-.010"-.020"-.030"
 When ordering please quote Part No. and undersize required.
 ⊖ Normal Fitment
 † Swedish Engines only
 ⊙ Pistons are obtainable in the following oversize:- +.020"
 ⊕ Piston Rings are obtainable in the following oversizes:- +.010", +.020", +.030".
 Please quote Part No and size required
 ‡ Fitted up to Engine No. DM1115E only
 ‡‡ Fitted from Engine No. DM1116E and future

TOLEDO 1500cc PLATE A18(07-23) B1902/3

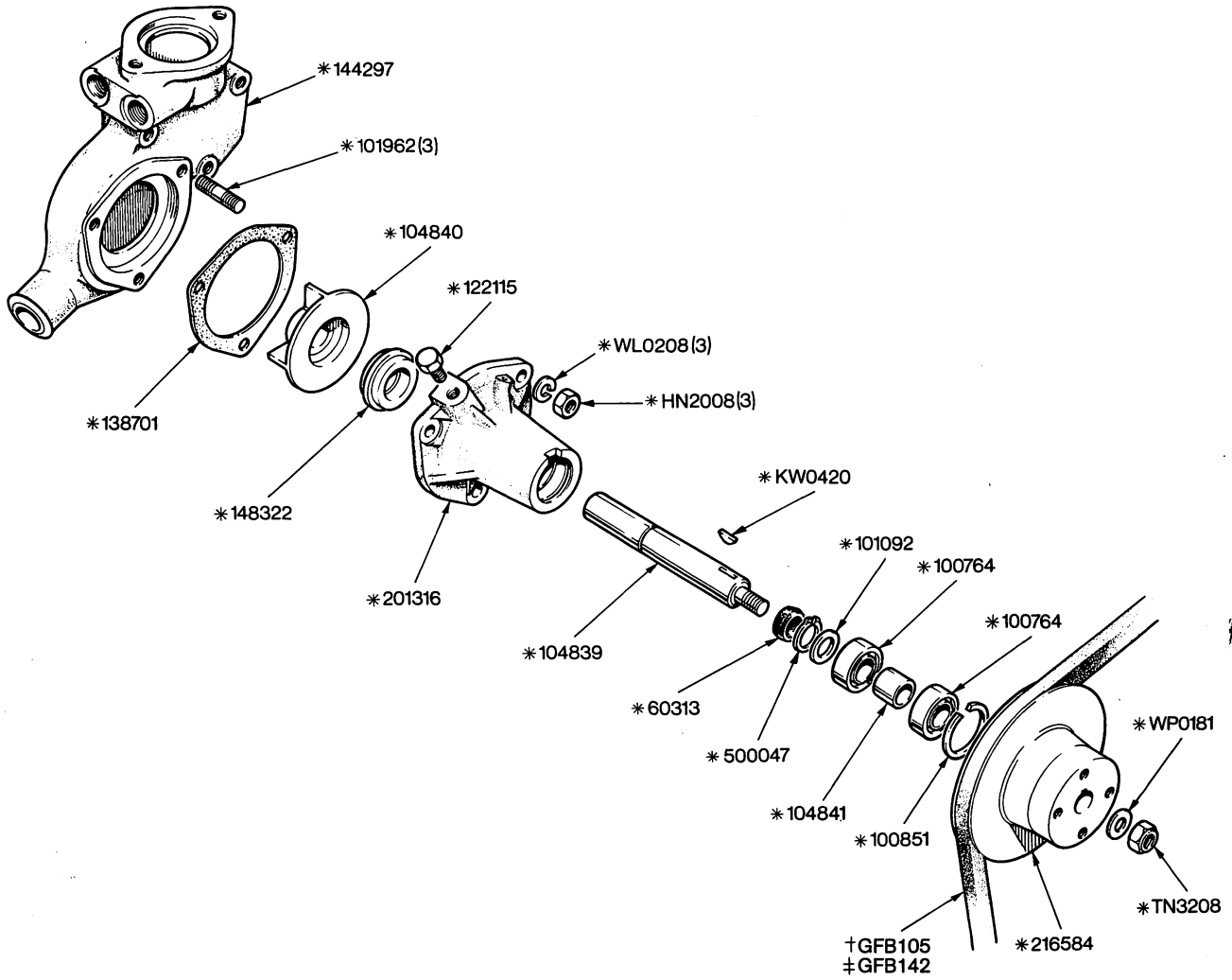
1500cc ENGINE - Camshaft, Timing Details, Distributor Pedestal



NOTE
 † Fitted up to Engine No. DM1913E only
 ‡ Fitted from Engine No. DM1914E and future
 * Fitted up to Engine Nos. DM5000E (Single Carb) and DS5000E (Twin Carb) only
 © Fitted from Engine Nos. DM5001E (Single Carb) and DS5001E (Twin Carb) and future

TOLEDO 1500cc **PLATE A19(07-24)** **B1903/4**

1500cc ENGINE - Water Pump, Fan Belt



NOTE

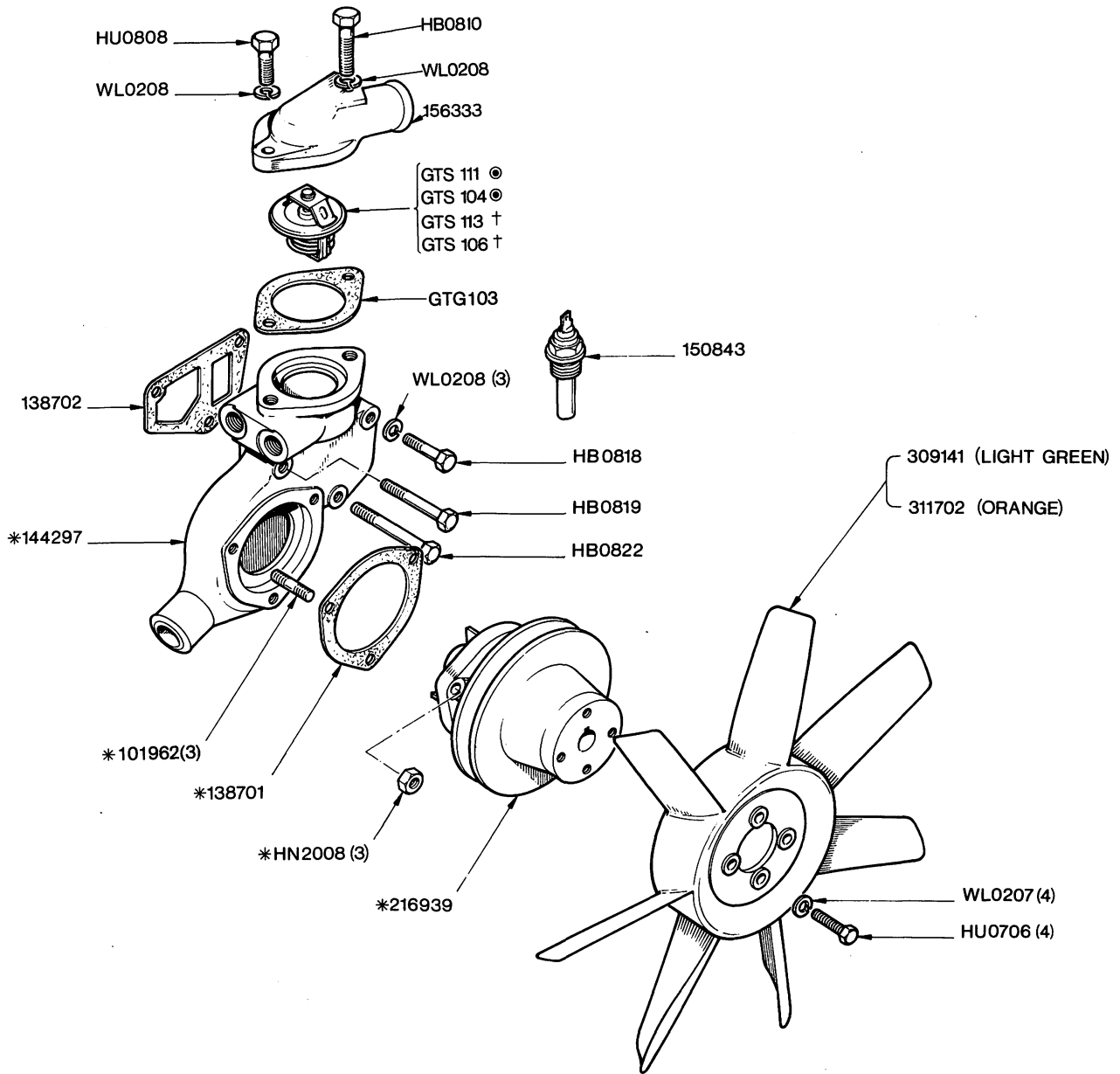
- * 517257 BEARING HOUSING ASSEMBLY 1 off
- * 508955 WATER PUMP REPAIR KIT 1 off

NOTE - Items marked thus * are fitted
up to Engine No. DM519 only
For future details see Plate A21

† Fitted up to Engine No. DM1115E only

‡ Fitted from Engine No. DM1116E and future (May be used for all replacements)

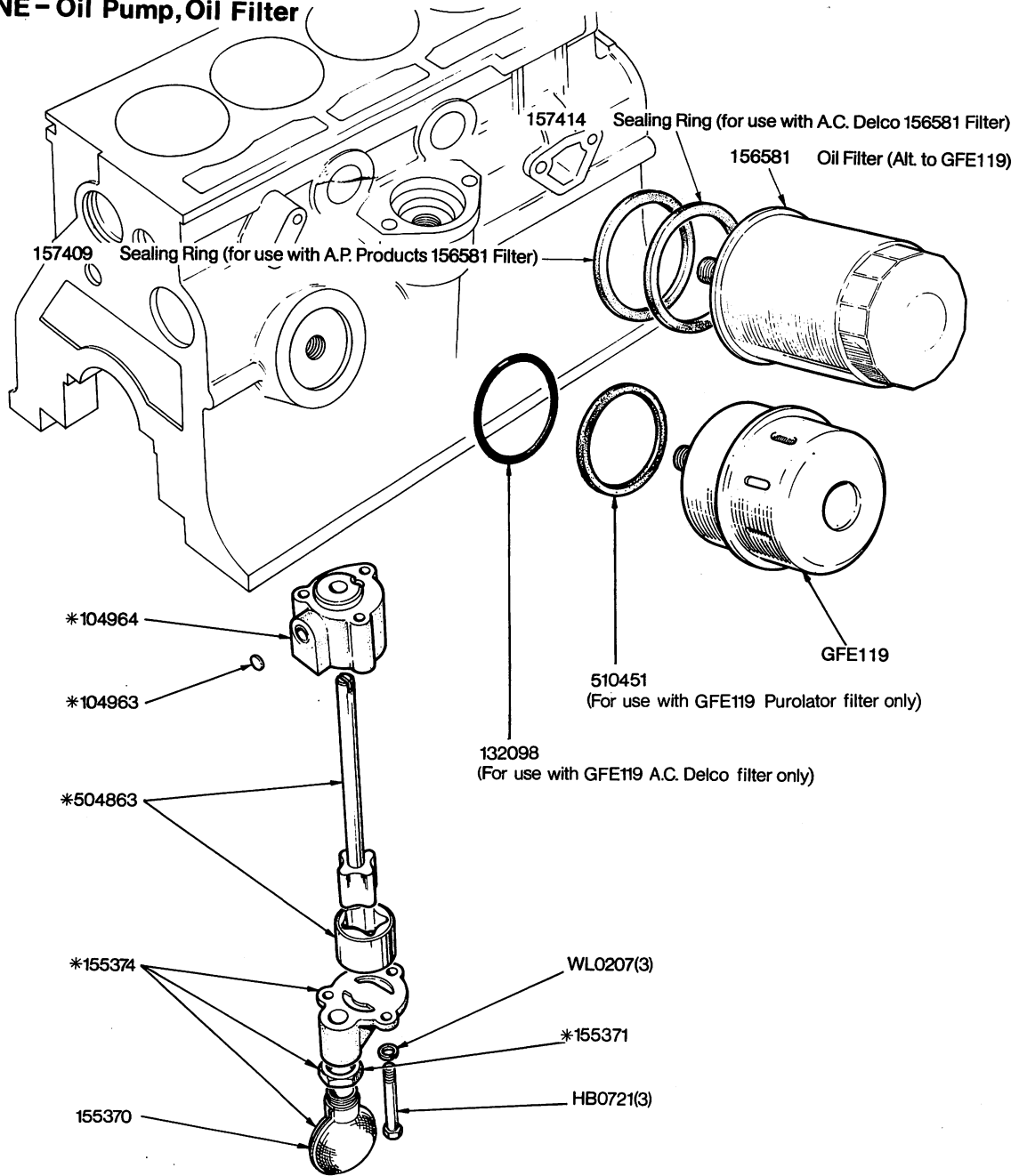
1500cc ENGINE- Water Pump, Fan



NOTE

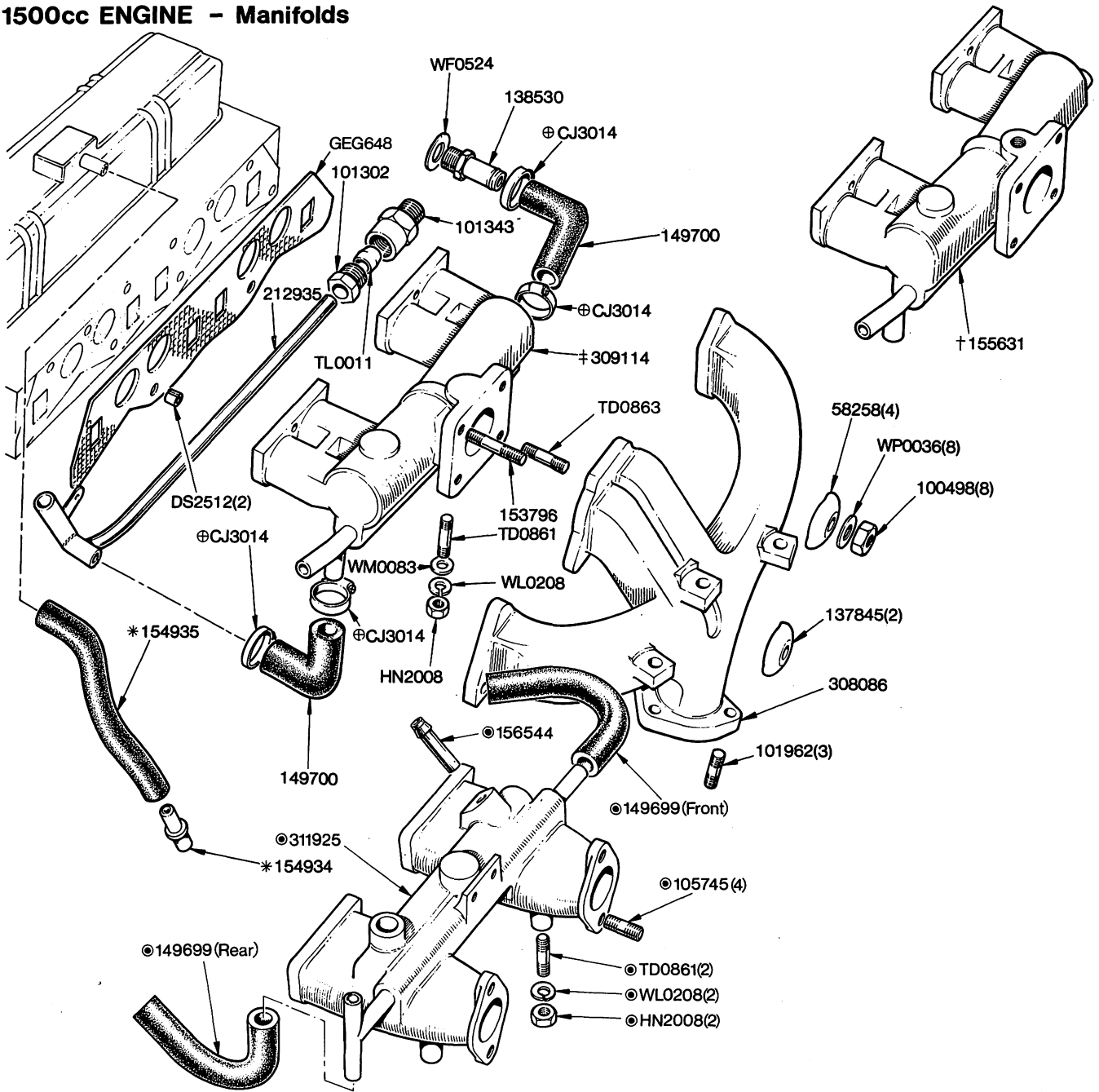
- ◎ GTS 111 } ALTERNATIVES (normal type)
- ◎ GTS 104 }
- † GTS 113 } ALTERNATIVES special winter condition
- † GTS 106 }
- * Fitted from Engine No DM520 and future

1500cc ENGINE - Oil Pump, Oil Filter



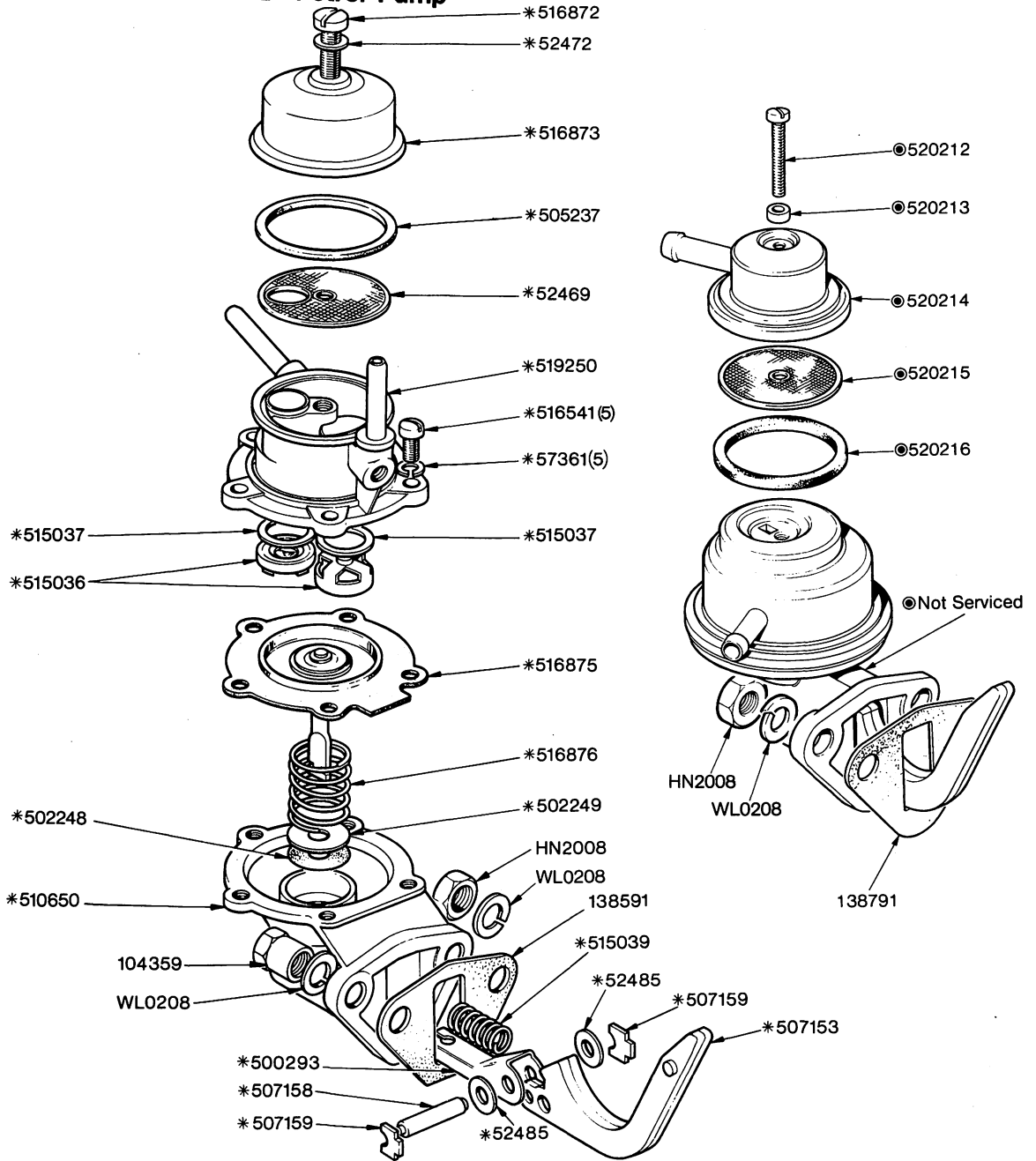
217058 Oil Pump Assembly 1 off
 Comprising items marked *

1500cc ENGINE - Manifolds



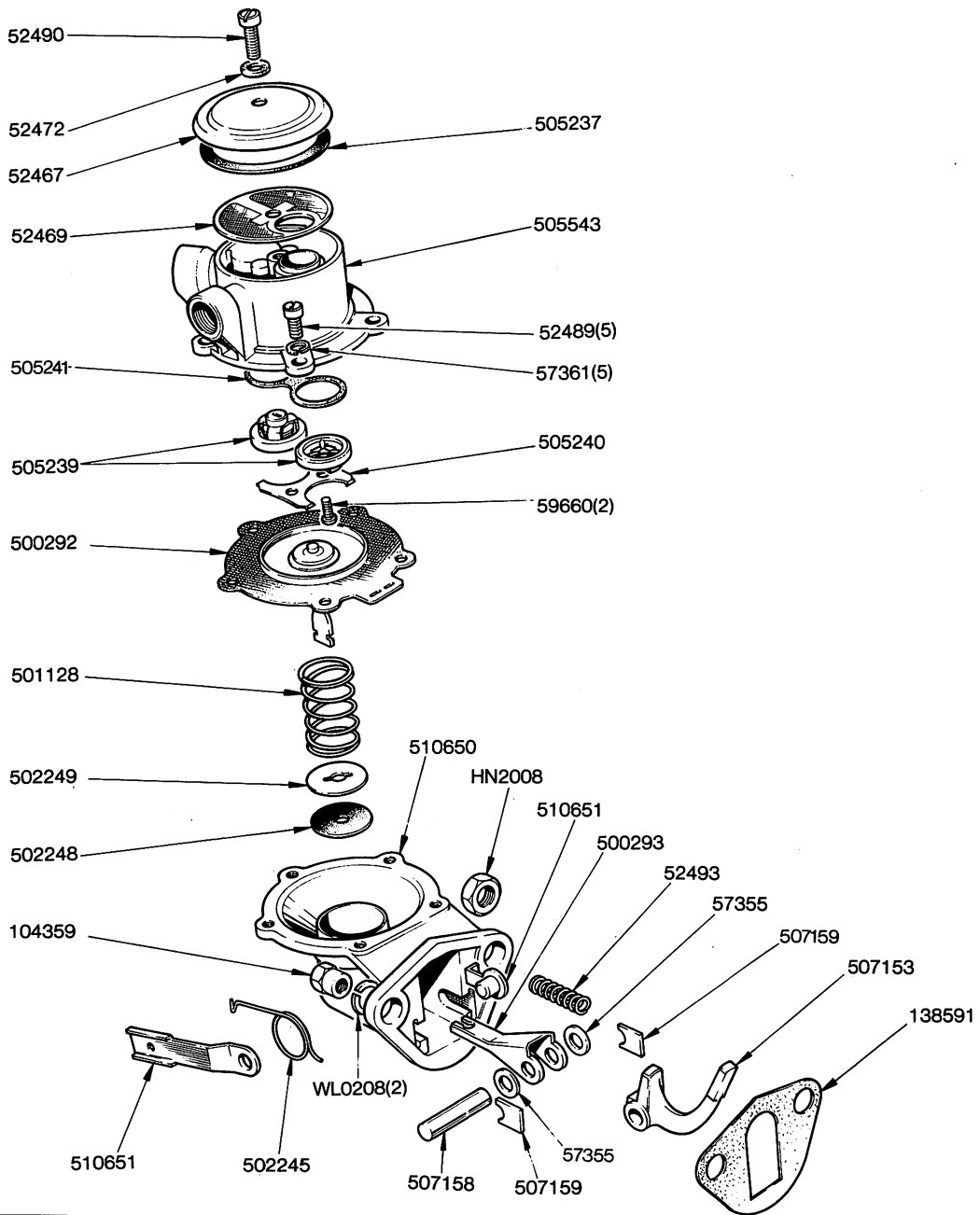
NOTE
 ‡309114 Manifold, inlet; normal engine and no Brake Servo
 †155631 Manifold, inlet; normal engine and Brake Servo
 ⊕156736 Alternative to CJ3014
 ⊙ Twin Carb. Engines only
 *Fitted up to Engine No DM5000E only (See Plate A26 for future details)

1500cc SINGLE CARB. ENGINE - Petrol Pump



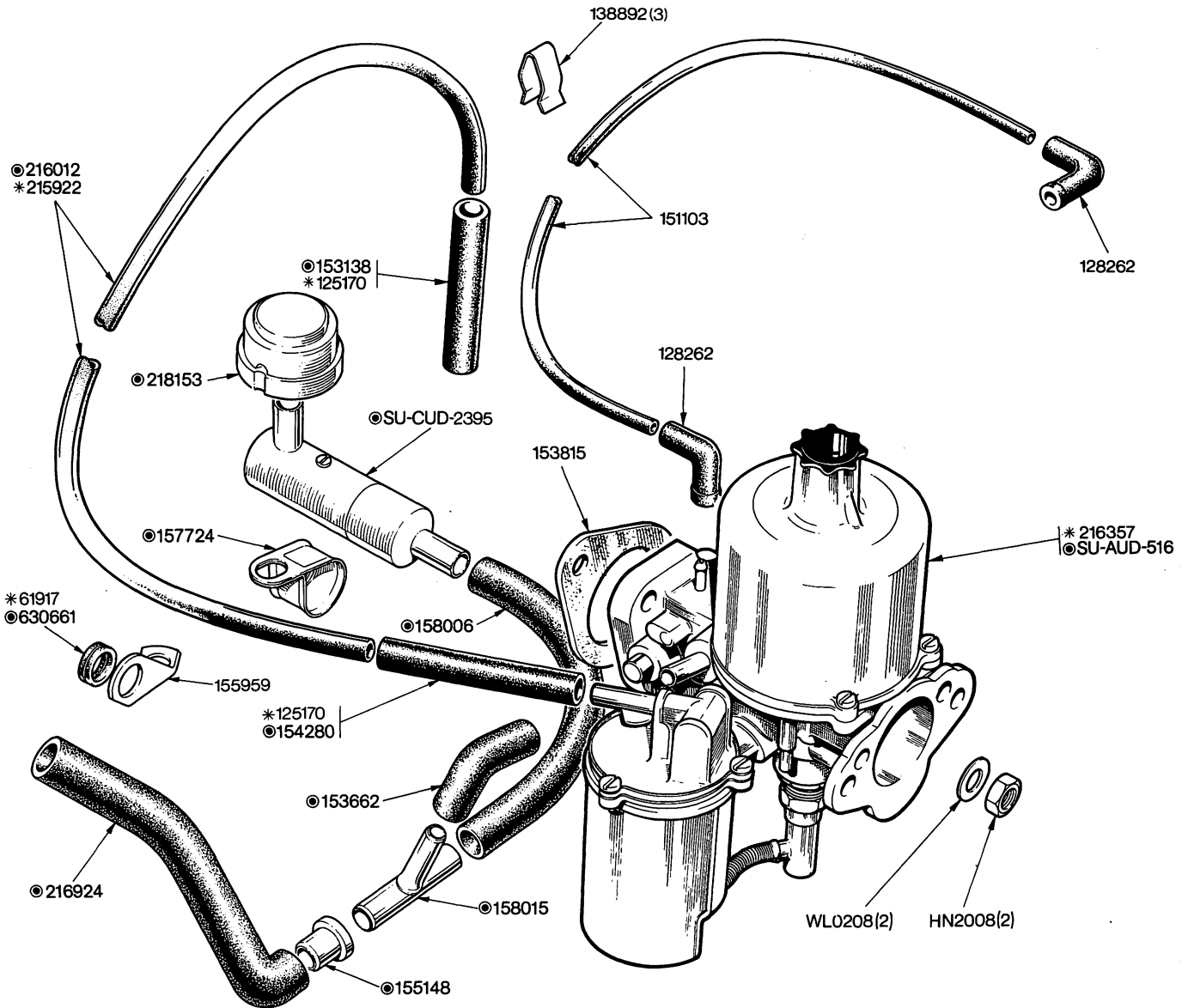
NOTE	
217267	Petrol Pump Assembly (Comprising items indicated*)
* 506423	First Aid Repair Kit
* 506424	Complete Repair Kit
312343	Petrol Pump Assembly (Comprising items indicated⊙)
⊙ 520217	First Aid Repair Kit
} Fitted up to Engine No. DM5000E only	
} Fitted from Engine No. DM5001E and future	

1500cc TWIN CARB. ENGINE--Petrol Pump



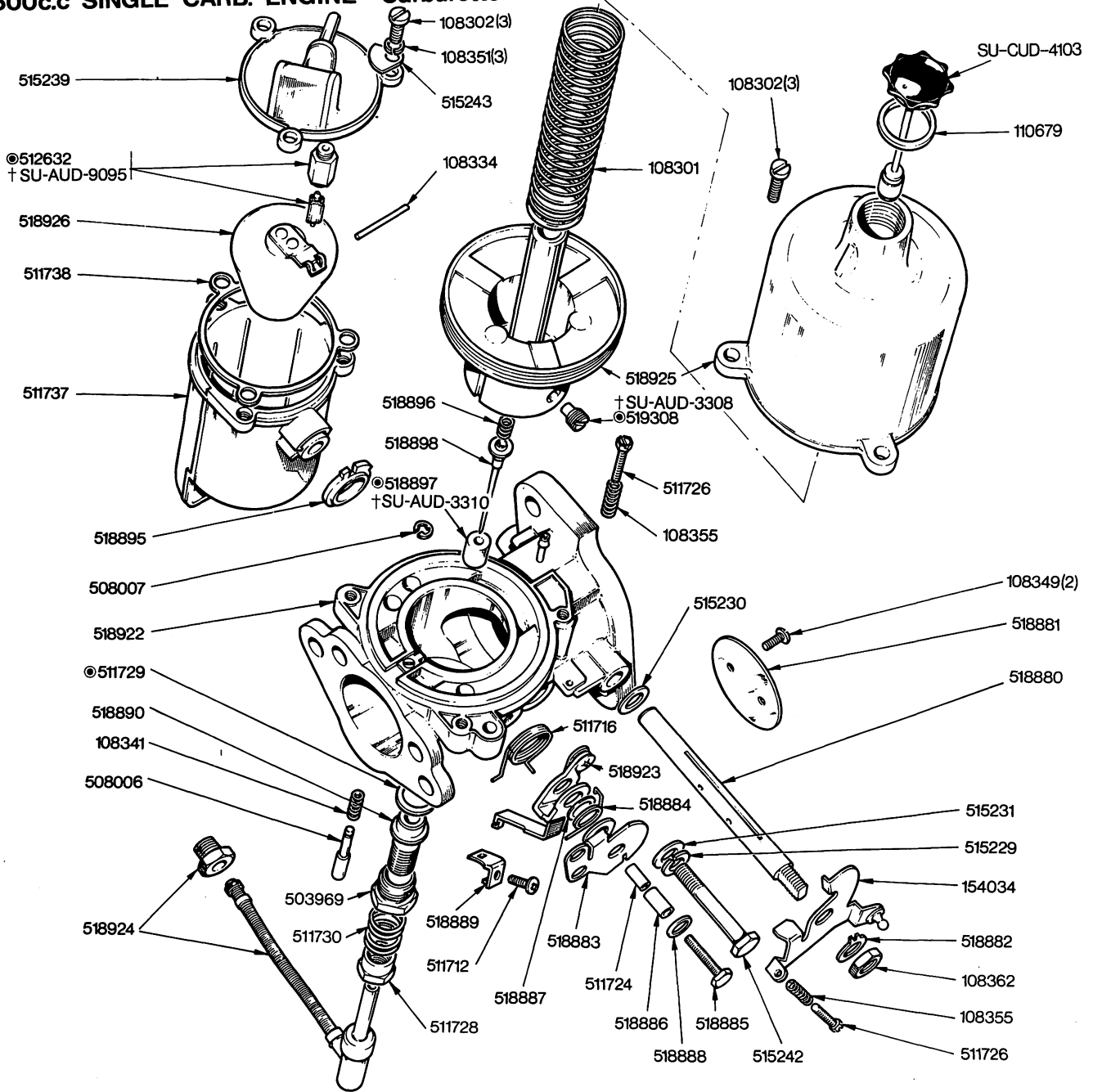
NOTE
 208493 Petrol Pump Assembly
 506423 Service Kit

1500cc SINGLE CARB. ENGINE - Carburettor Assembly, Suction Pipes Breather Pipe



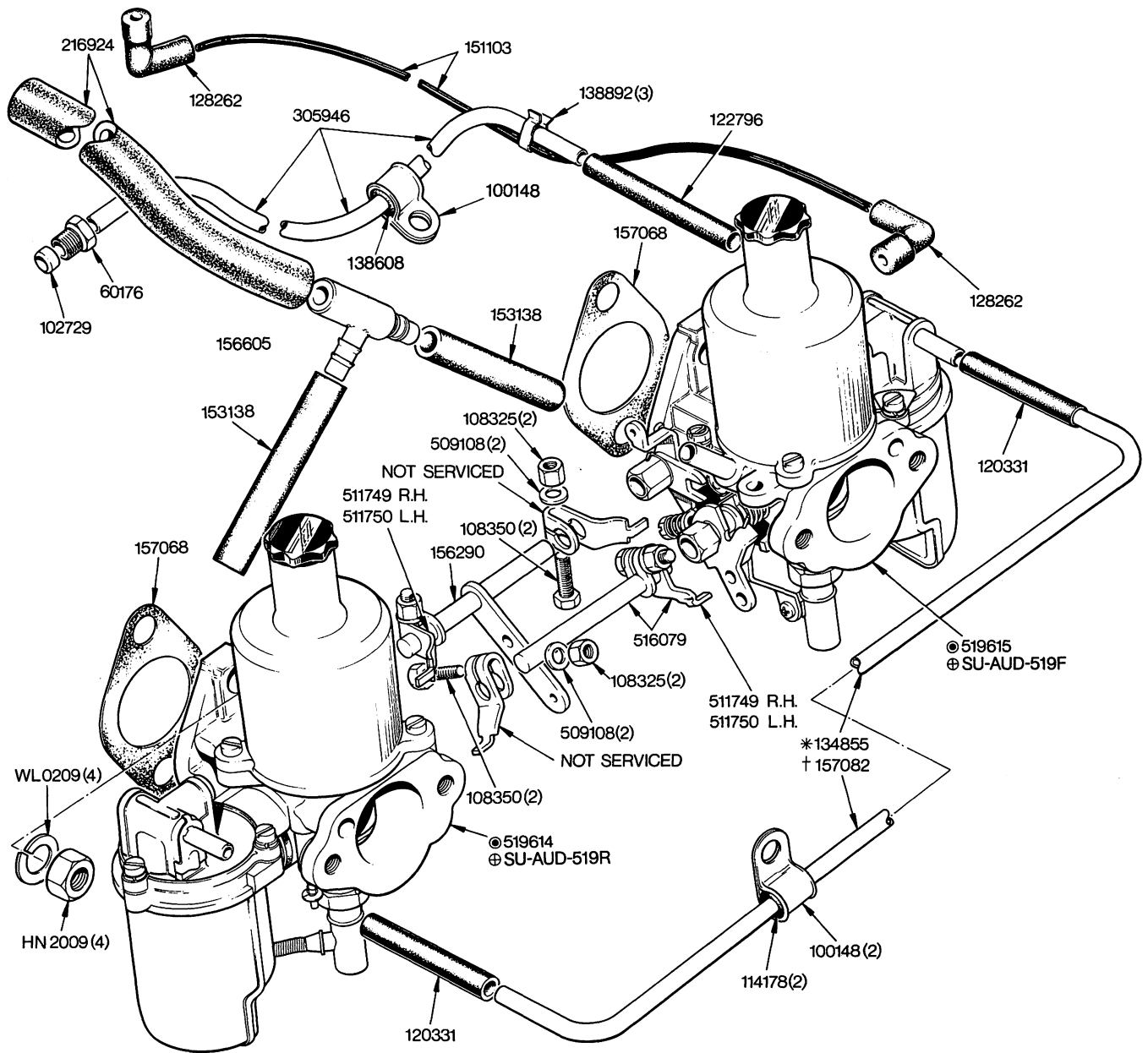
NOTE
 * Fitted up to Engine No. DM5001E only
 © Fitted from Engine No. DM5000E and future
 For Carburettor details see Plate A27
 See Plate A23 for previous breather details

1500c.c SINGLE CARB. ENGINE - Carburettor Details



NOTE
 © Fitted up to Engine No. DM5000E only
 † Fitted from Engine No. DM5001E and future

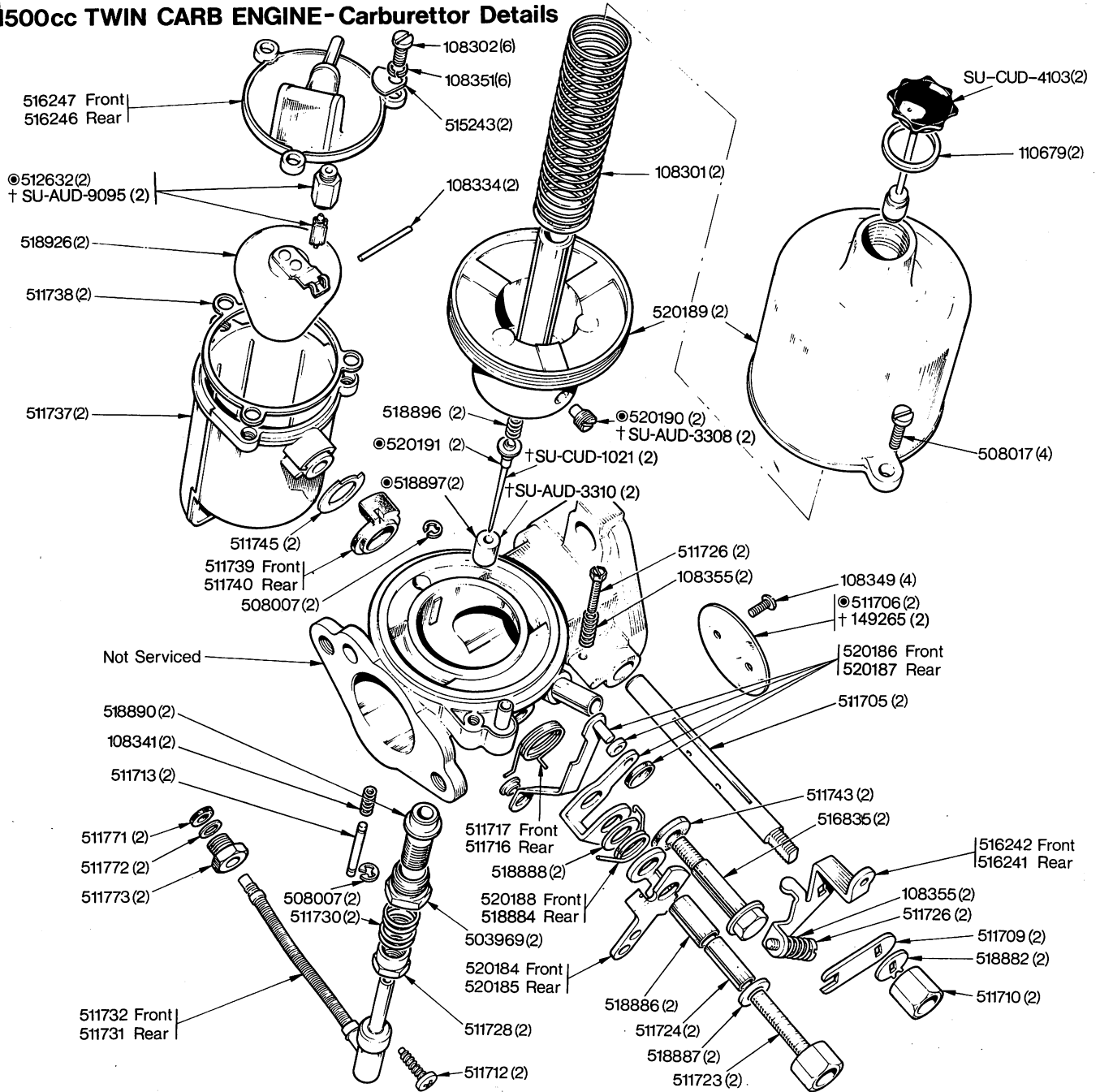
1500cc TWIN CARB ENGINE - Carburettor Assembly and Pipes



NOTE

- * Items marked thus are fitted up to approx. Commission No. ADS1099 only
 - † Items marked thus are fitted from approx. Commission No. ADS1100 and future
 - ⊙ Fitted up to Engine No. DS5000E only
 - ⊕ Fitted from Engine No. DS5001E and future
- For Carburettor details see Plate A29

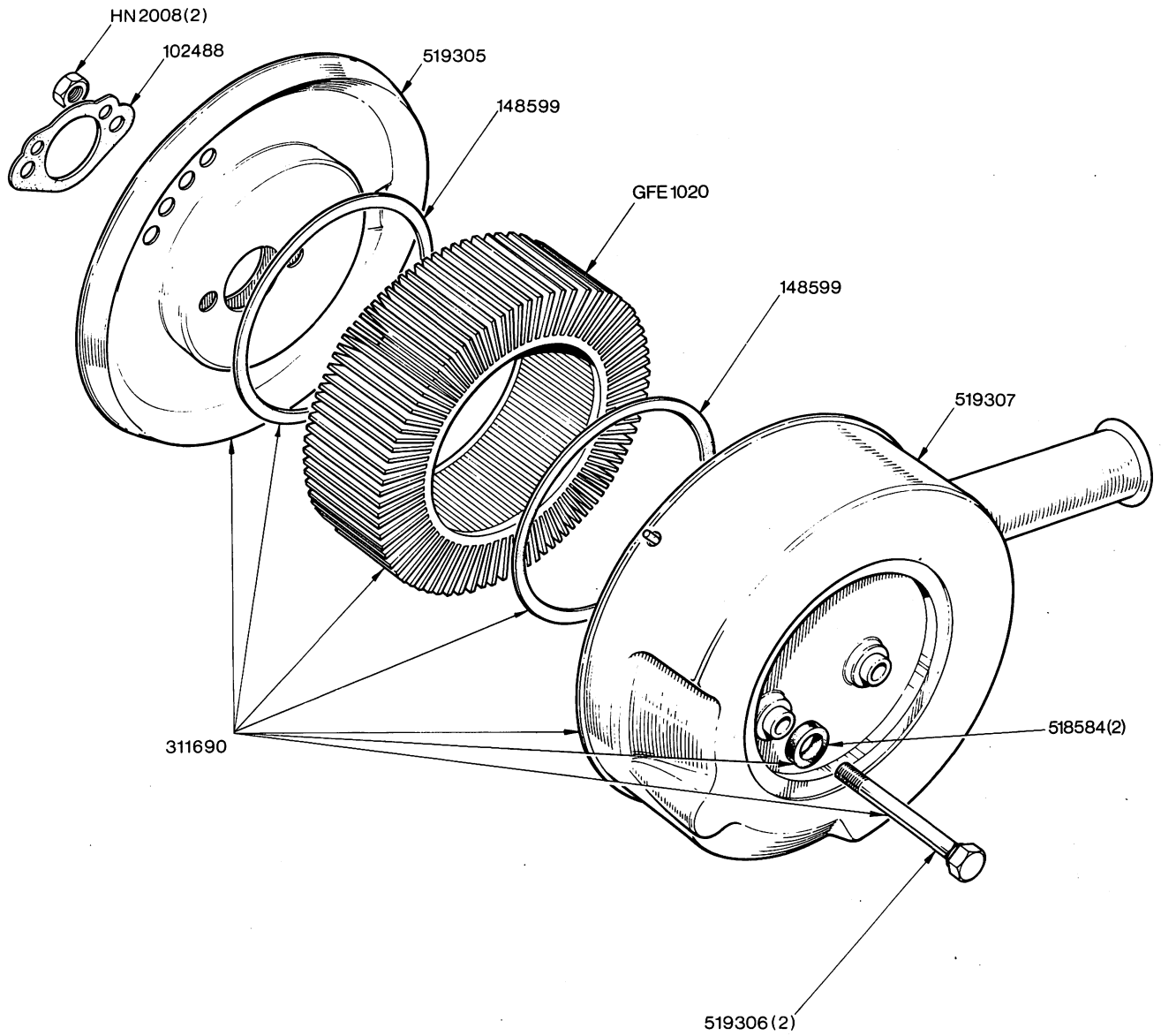
1500cc TWIN CARB ENGINE- Carburettor Details



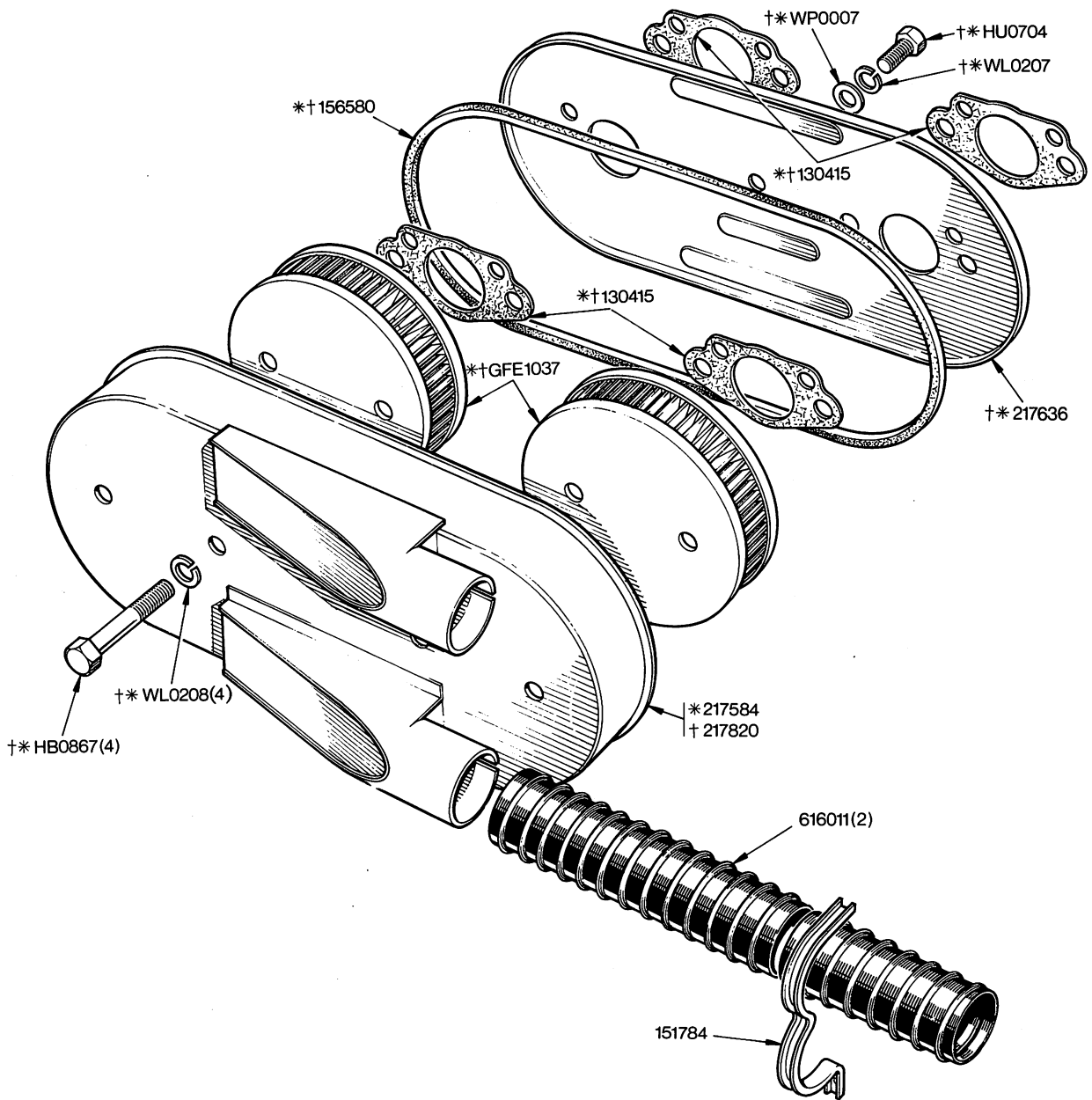
NOTE

- Fitted up to Engine No. DS5000E only
- † Fitted from Engine No. DS5001E and future

1500cc SINGLE CARB ENGINE - Air Cleaner



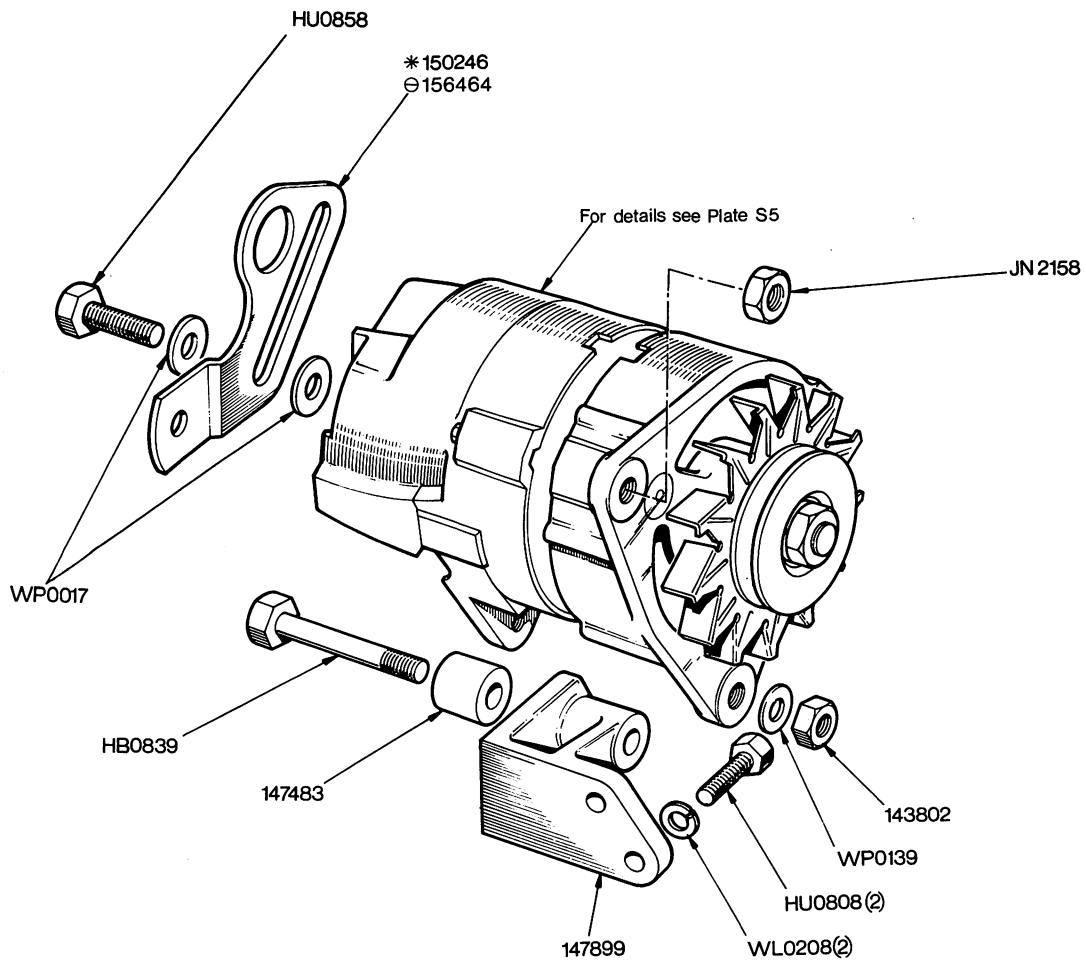
1500cc TWIN CARB ENGINE - Air Cleaner



NOTE

- | | | | |
|---------|-----------------------------------|------|---|
| *217586 | Air Cleaner and Silencer Assembly | 1off | Fitted up to approx. Commission No. ADS1099 only |
| †217822 | Air Cleaner and Silencer Assembly | 1off | Fitted from approx. Commission No. ADS1100 and future |

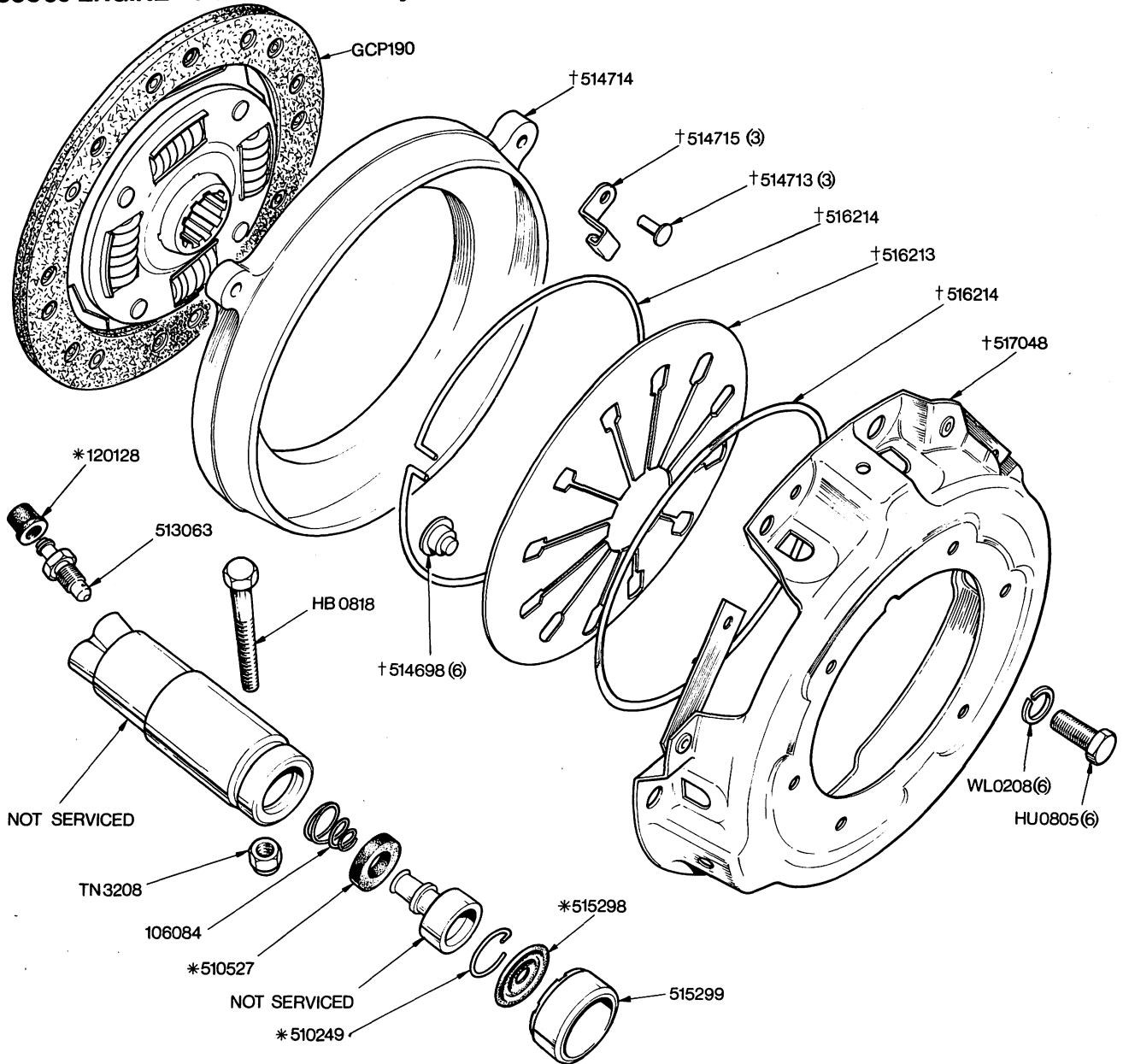
1500cc ENGINE - Alternator Mounting



NOTE

*Fitted up to Engine NoDM2066E only
Ø Fitted from Engine NoDM2067E and future

1300cc ENGINE - Clutch and Slave Cylinder



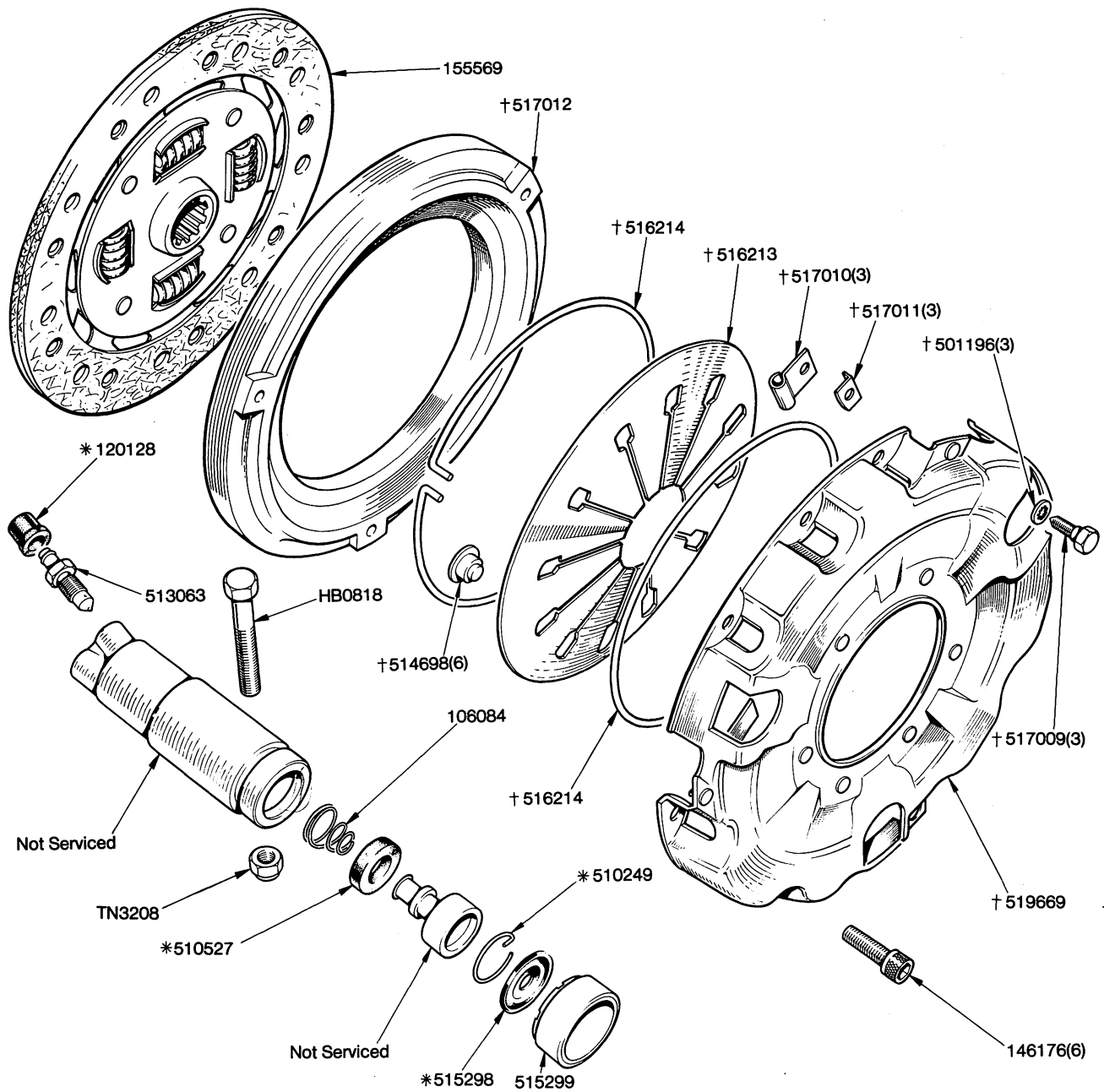
NOTE		
GCC134	CLUTCH COVER ASSEMBLY	1 off Comprising items marked thus †
519357	FACING PACKAGE	
144716	CLUTCH SLAVE CYLINDER ASSEMBLY	1 off fitted up to Commission No. ADG 2183 only
153512	CLUTCH PIPE ASSEMBLY,	} FOR USE WITH 144716
143033	ADAPTOR, SLAVE CYLINDER,	
107072	GASKET, ADAPTOR,	
155954	CLUTCH SLAVE CYLINDER ASSEMBLY	1 off fitted from Commission No. ADG 2184 and future
155956	CLUTCH PIPE ASSEMBLY FOR USE WITH 155954	
515297	SERVICE KIT (SLAVE CYLINDER)	1 off Comprising items marked thus *

TOLEDO 1300cc

PLATE B1(07-39)

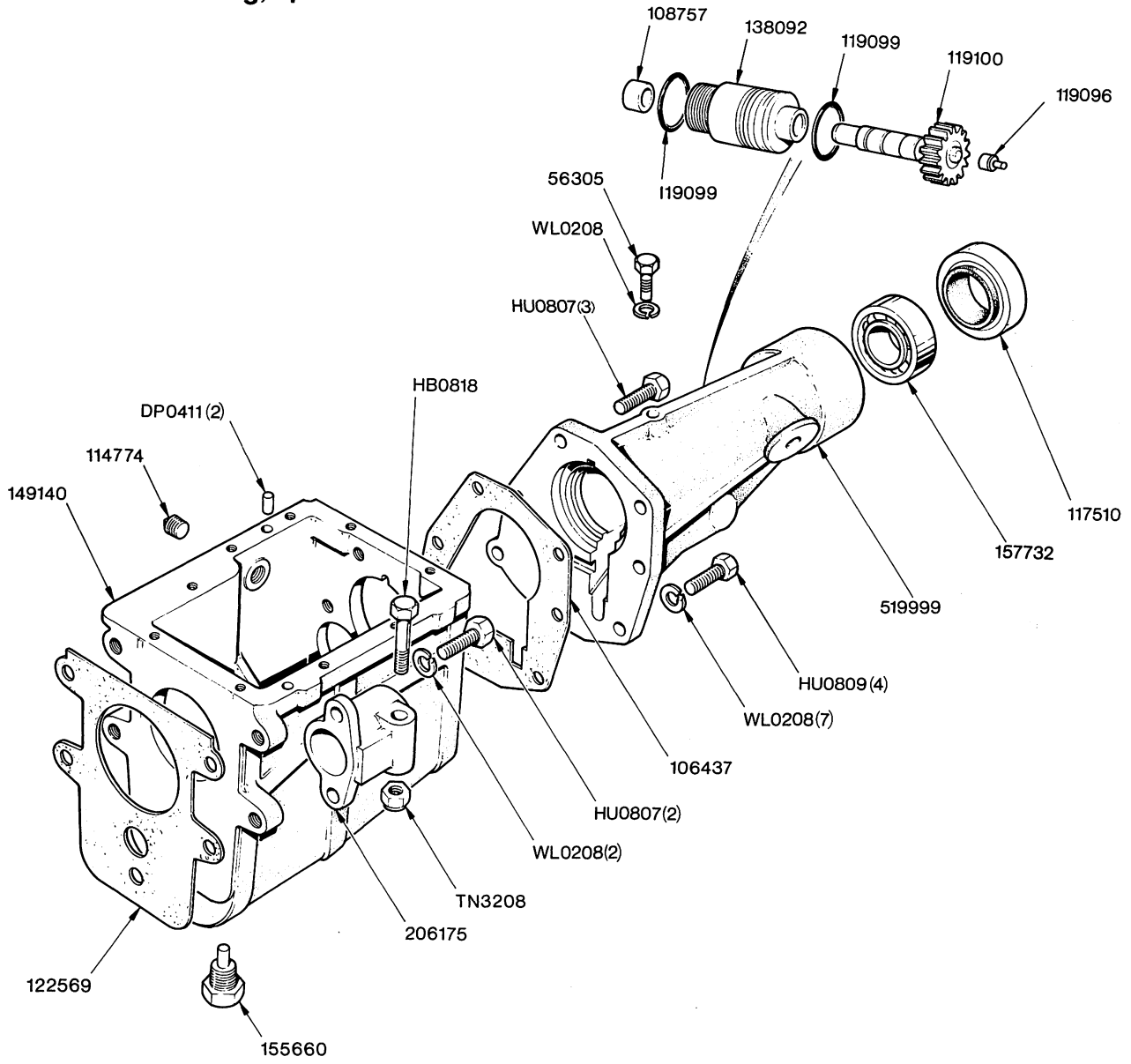
B1758/4

1500cc ENGINE - Clutch and Slave Cylinder



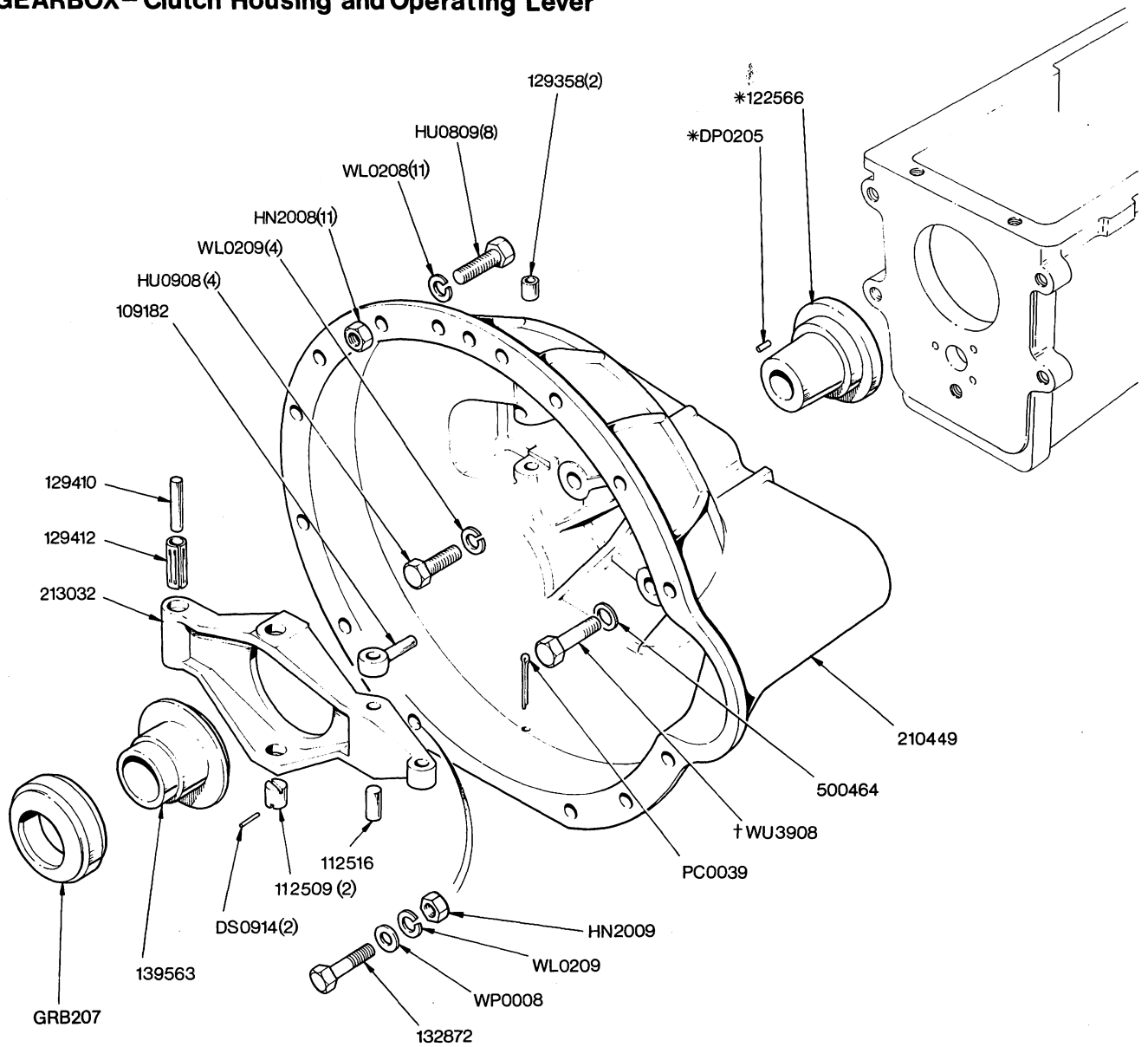
NOTE		
214538	Clutch Cover Assembly (Comprising items marked thus †)	1 off
519358	Facing Package, driven plate	1 off
155954	Clutch Slave Cylinder Assembly	1 off
515297	Service Kit (slave cylinder) (Comprising items marked thus *)	1 off

GEARBOX – Casing, Speedo Driven Gear



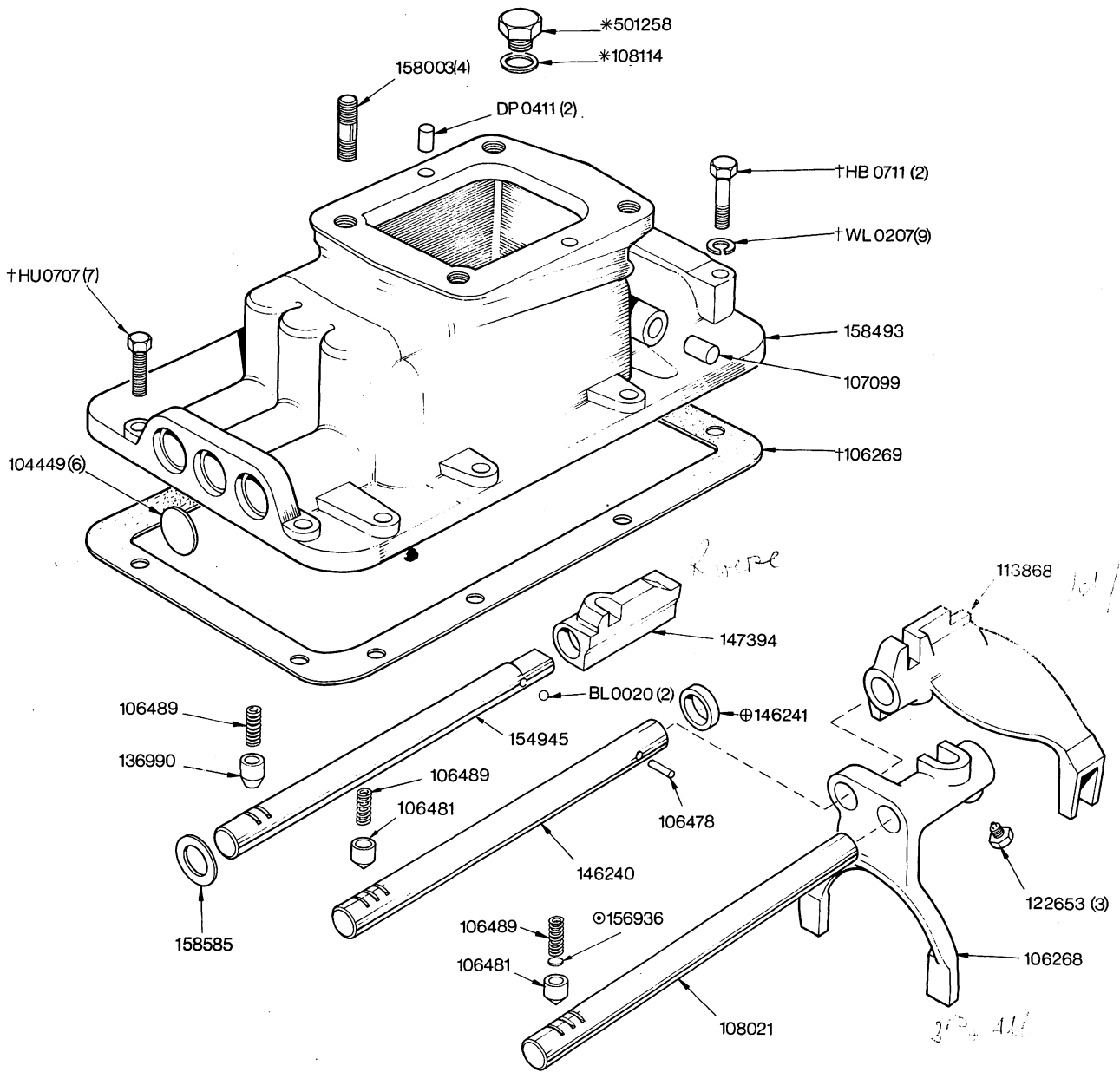
NOTE		
520426	GEARBOX ASSEMBLY (less top cover extension and hand lever assembly)	1 OFF
521069	GEARBOX ASSEMBLY (RECONDITIONED UNIT) (less top cover extension and hand lever assembly)	1 OFF

GEARBOX – Clutch Housing and Operating Lever



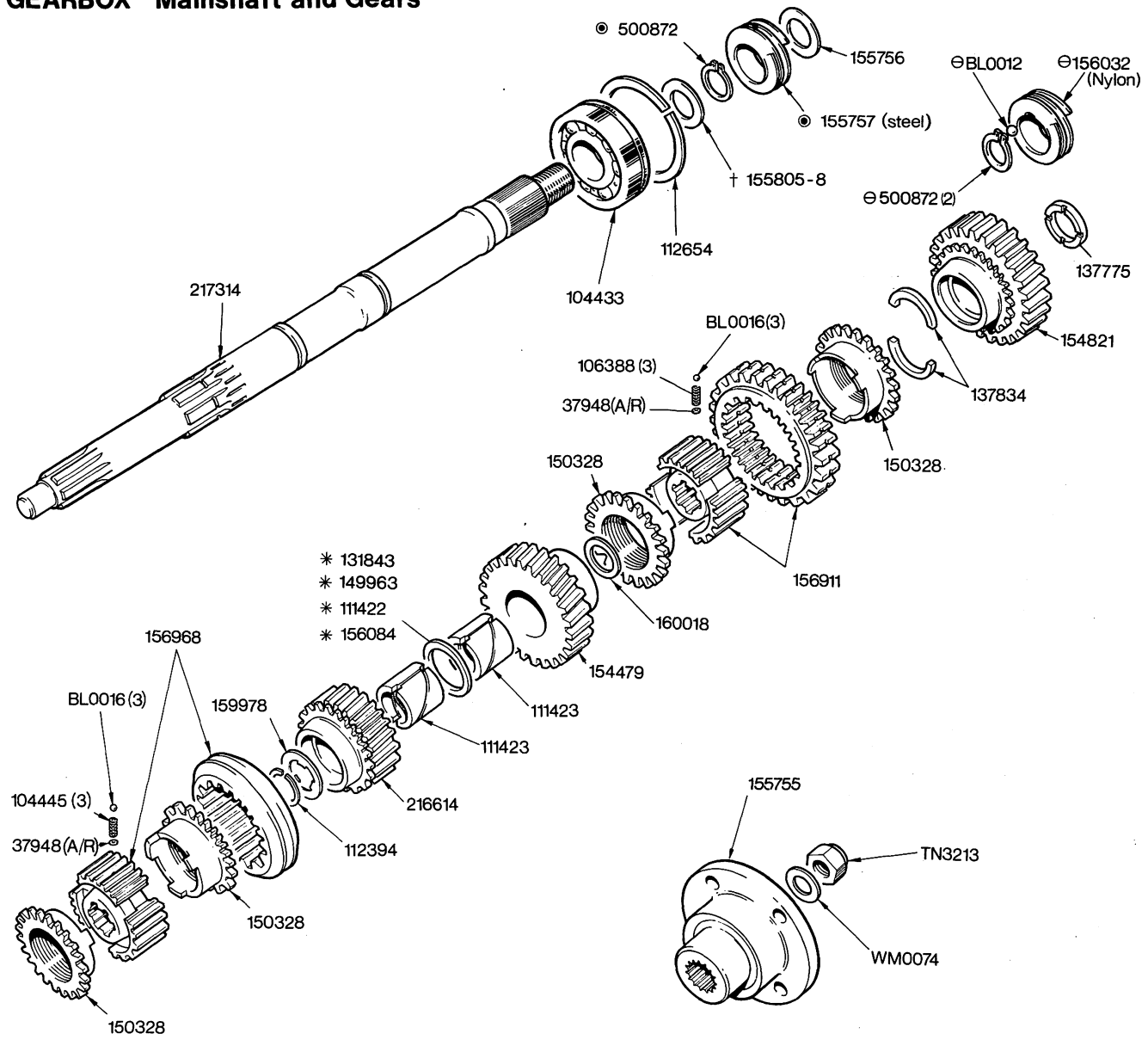
NOTE
 *Part of Clutch Housing Assembly 210449
 †156336 Alternative to WU3908

GEARBOX - Top Cover and Selectors



NOTE
 520429 TOP COVER ASSEMBLY 1off
 (Comprising all items on this plate except those marked thus †)
 * Not required when reverse light is fitted
 ⊙ Fitted up to Gearbox No. DG423 only
 ⊕ Fitted up to Gearbox No. D97126 only

GEARBOX – Mainshaft and Gears



- * 131843
- * 149963
- * 111422
- * 156084

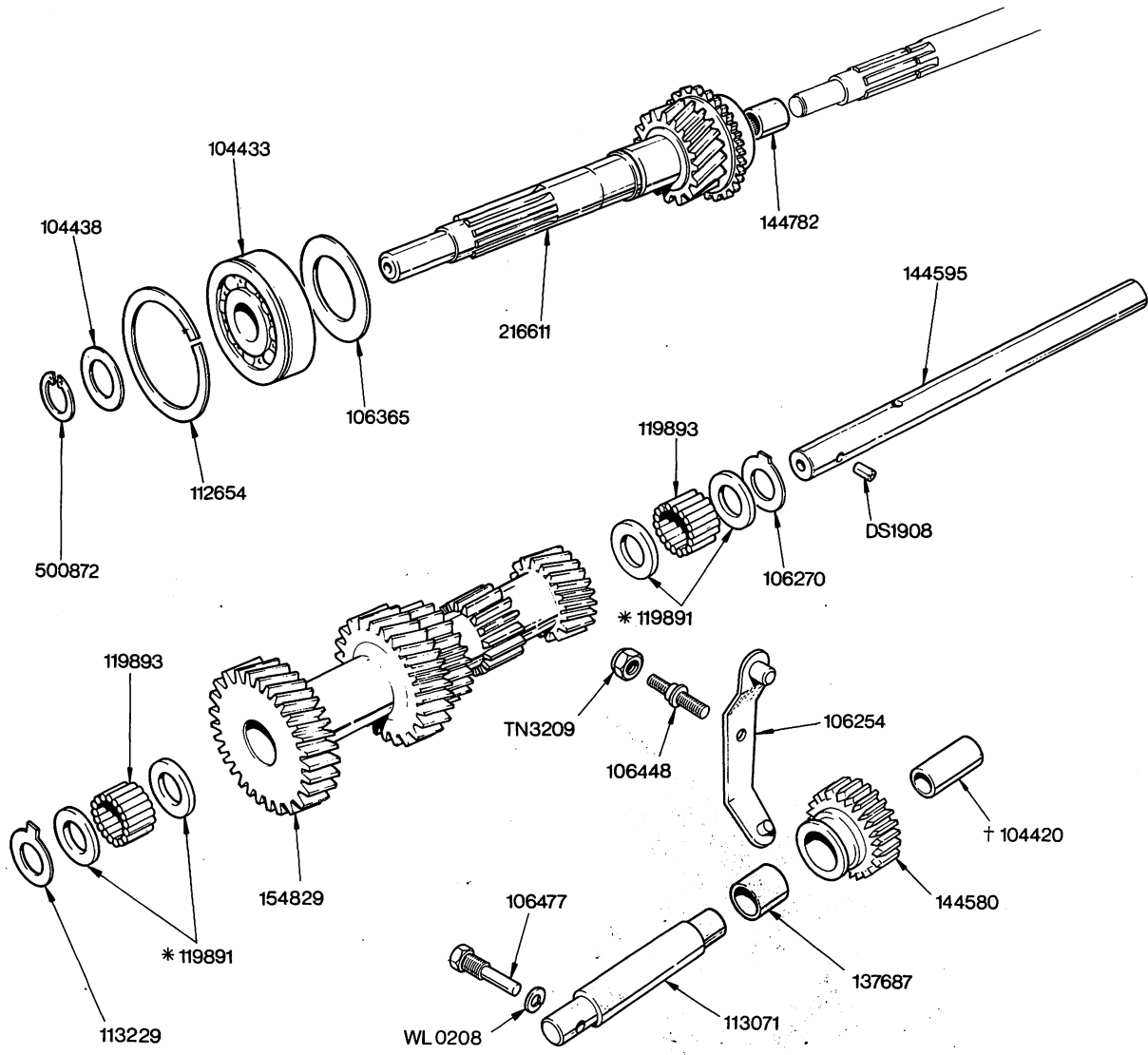
NOTE	
† 155805	Washer (.119"-.121") A/R
† 155806	Washer (.122"-.124") A/R
† 155807	Washer (.125"-.127") A/R
† 155808	Washer (.128"-.130") A/R
} Between centre bearing and circlip	
* 111422	Washer Thrust (.152"-.154")
* 149963	Washer Thrust (.1565"-.1585")
* 131843	Washer Thrust (.161"-.163")
* 156084	Washer Thrust (.165"-.167" coloured Orange)
◎	Fitted up to Gearbox No DG1582 only
⊖	Fitted from Gearbox No DG1583 and future

TOLEDO

PLATE B6(07-46)

B1763/4

GEARBOX - Constant Pinion, Countershaft and Reverse Shaft Gears

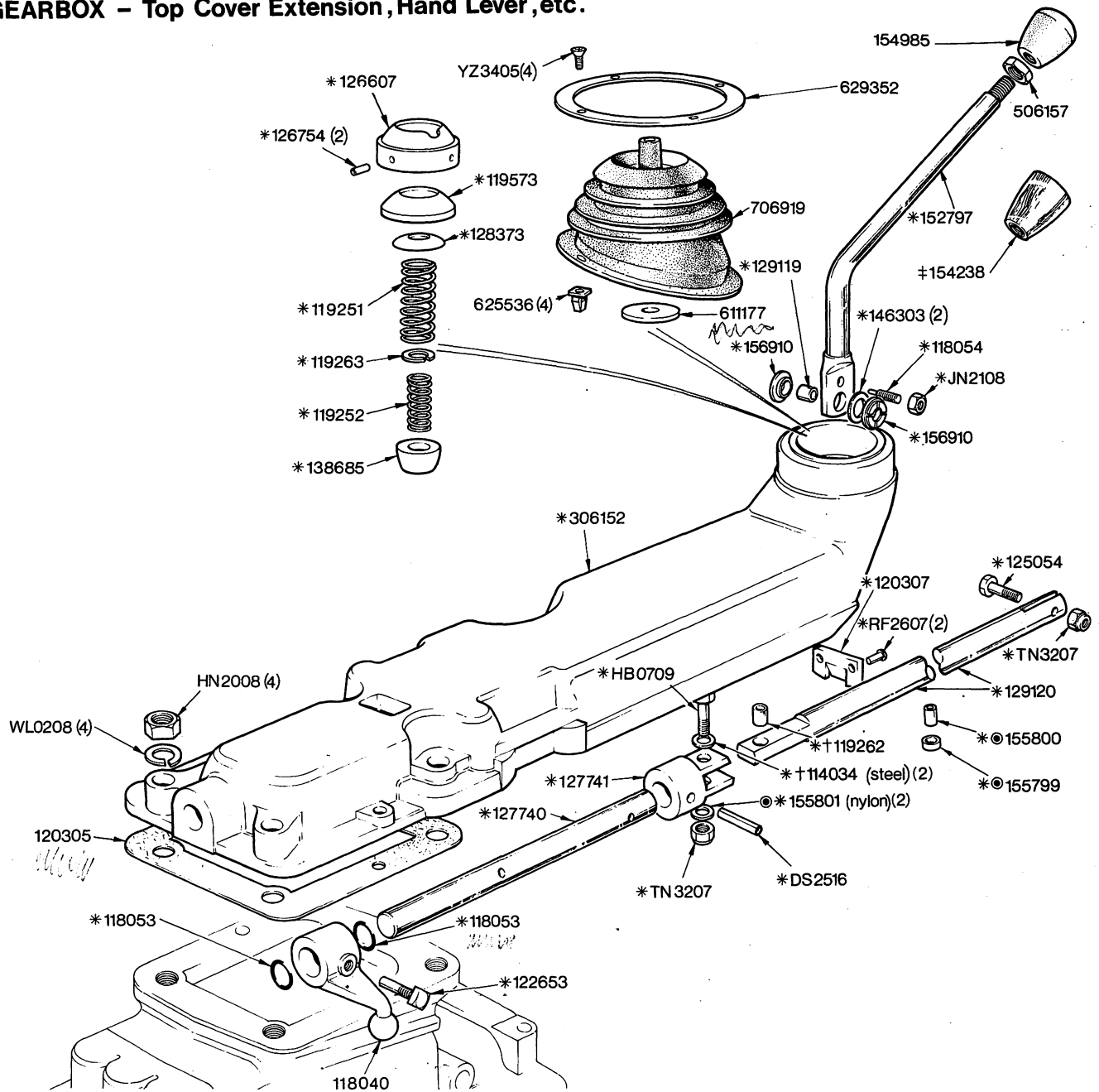


NOTE

* Part of Cluster Assembly 154829

† Part of Gear Assembly 144580

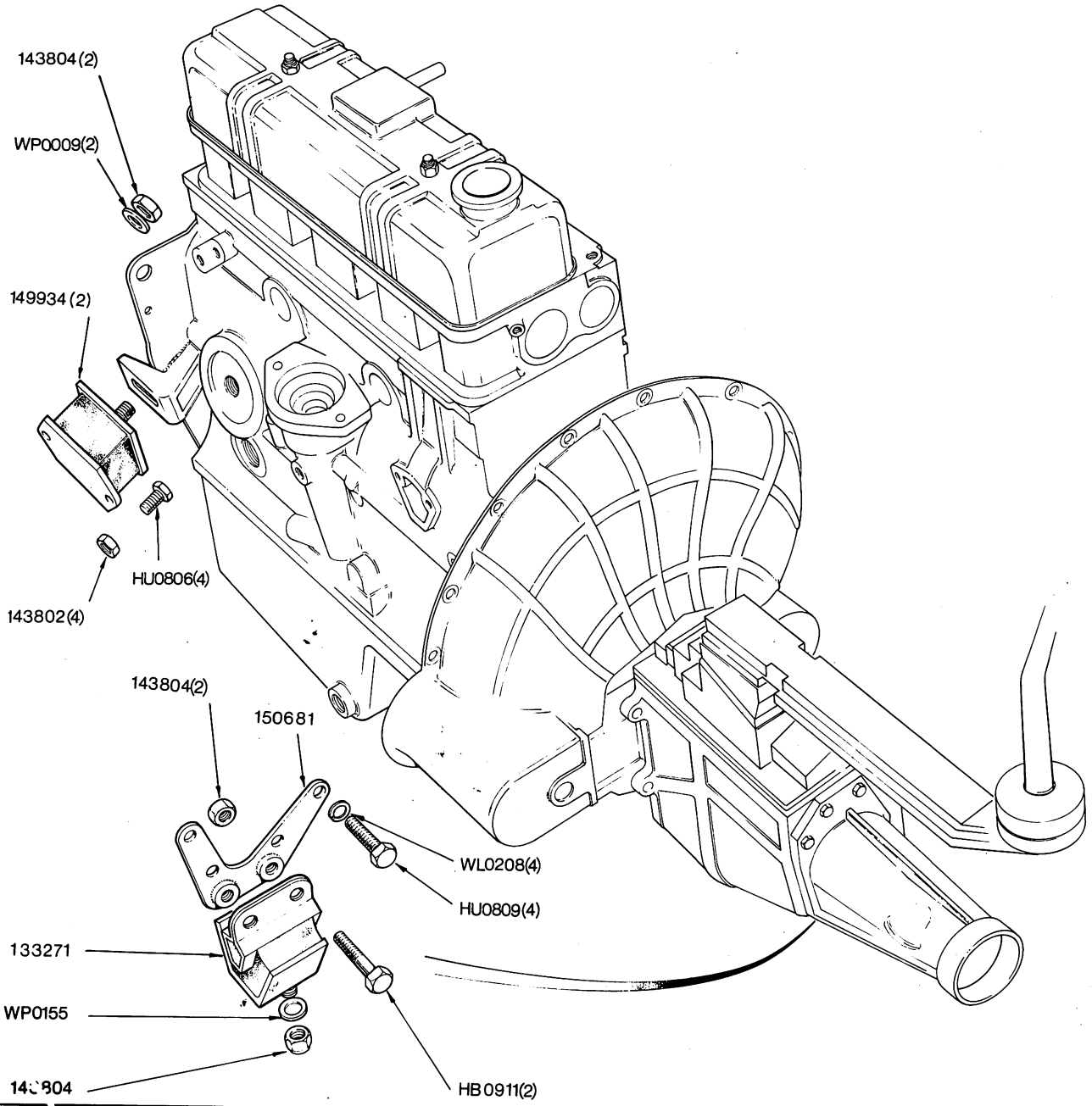
GEARBOX – Top Cover Extension, Hand Lever, etc.



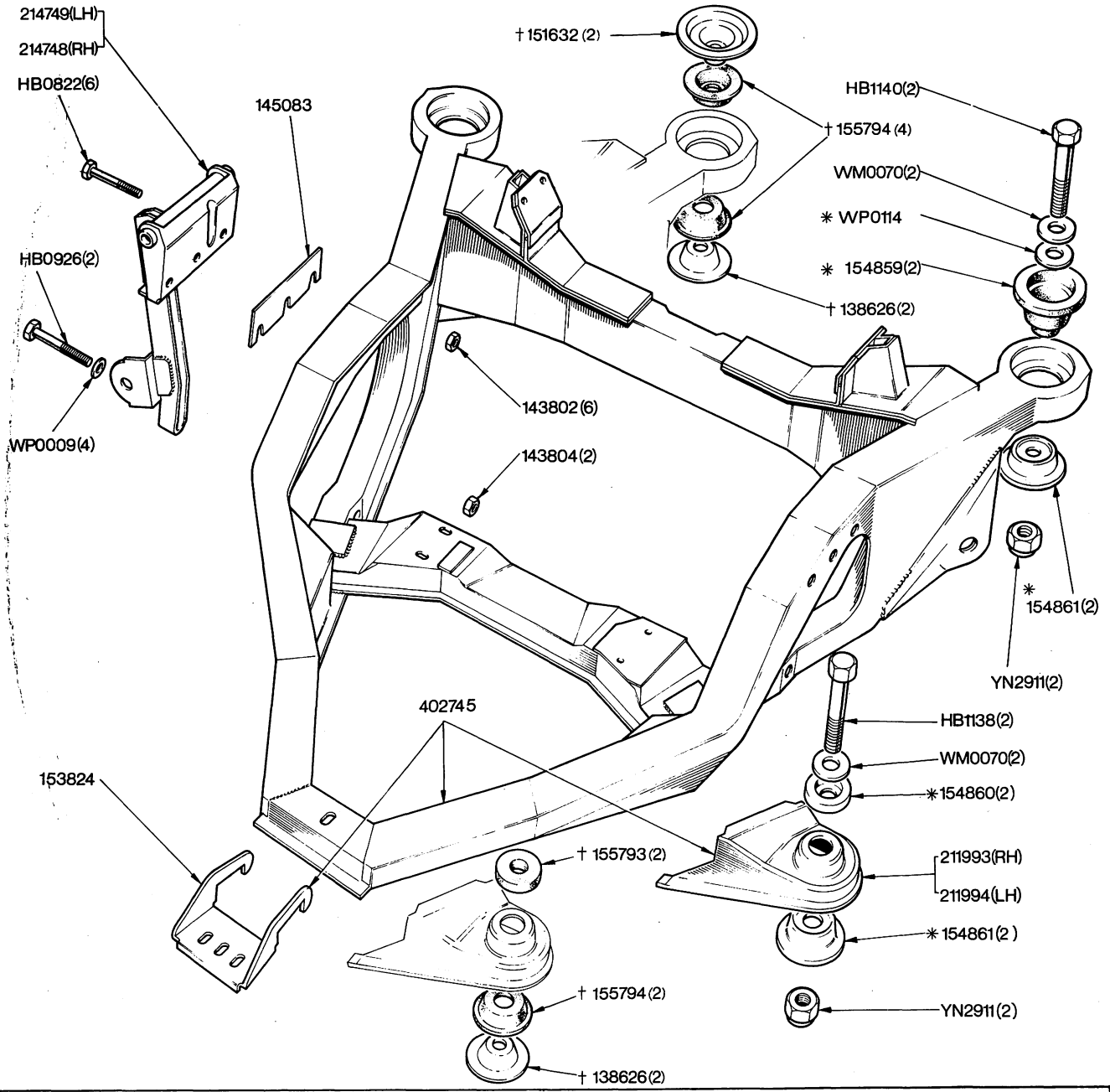
NOTE
 518879 Top Cover Extension and Hand Lever Assembly 1 off
 (Comprising items indicated *)
 Details indicated † are alternative fitment in sets to items indicated ©
 ‡ Special order only

TOLEDO PLATE B8 (07-48) B1765/3

ENGINE MOUNTING



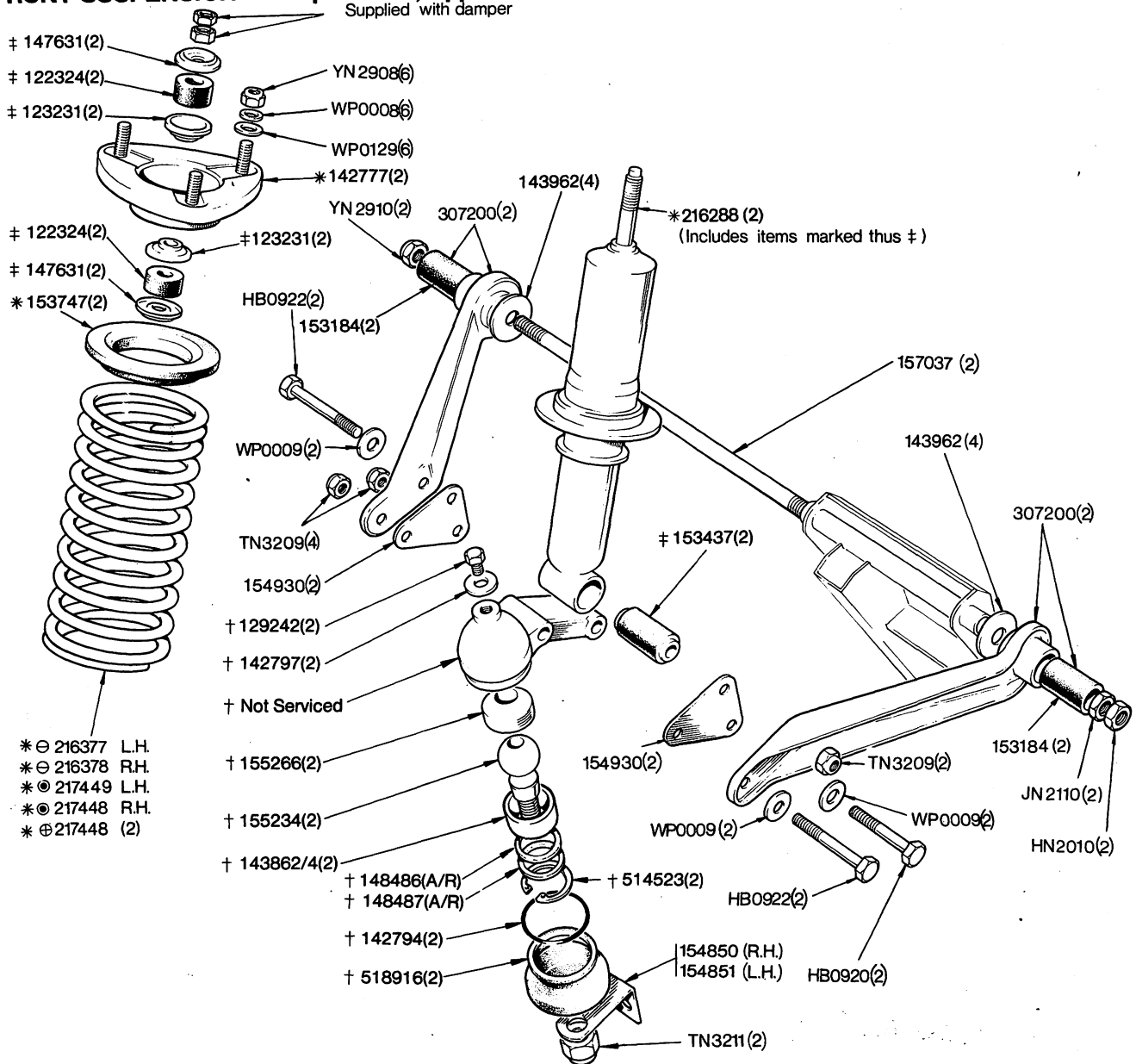
FRONT SUB-FRAME



NOTE
 Items marked thus * are fitted up to Commission No ADG 102 only
 Items marked thus † are fitted from Commission No ADG 103 and future

FRONT SUSPENSION - Damper Strut, Upper Wishbone Arm and Ball Joint

Supplied with damper



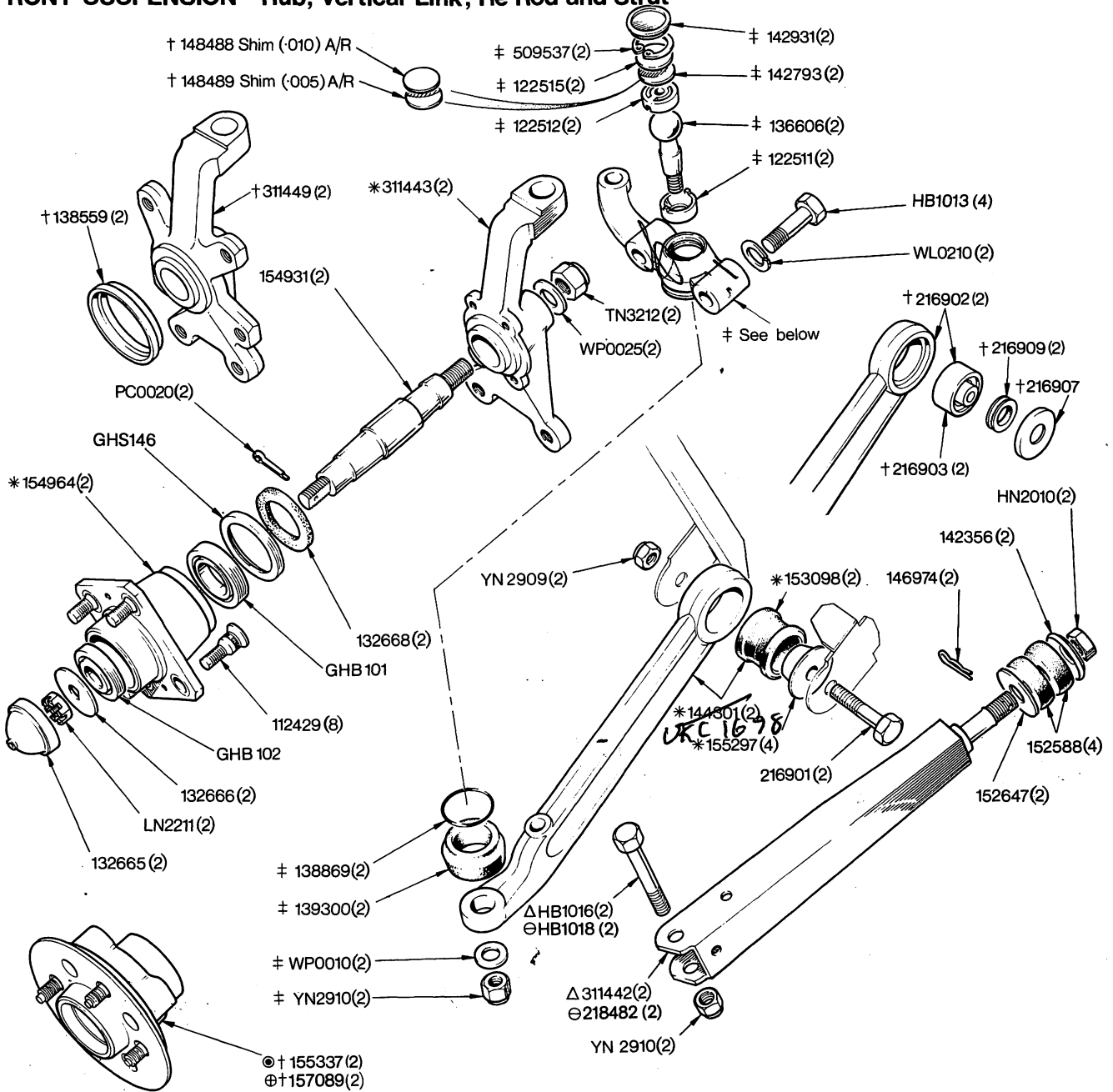
NOTE		311316	Front Suspension Unit R.H.} Drum Brakes	1 off
⊖ Fitted up to Commission No	{ ADG11511 (2Door) only ADS 647 (4Door)	311317	Front Suspension Unit L.H.} Only	1 off
⊙ Fitted from Commission No	{ ADG11512 (2Door) and future. LHS only ADS 648 (4Door)	520051	Vertical Link and Hub Assembly R.H.} Disc Brakes	1 off
⊕ Fitted from Commission No	{ ADG11512 (2Door) and future. RHS only ADS 648 (4Door)	520052	Vertical Link and Hub Assembly L.H.} Only	1 off
⊖ 216820	Front road Spring and Damper Assembly R.H.	216900	Upper Wishbone Joint Assembly	Comprising items marked thus †
⊖ 216942	Front road Spring and Damper Assembly L.H.	143862	Socket Lower (-407/-404)	2 off
⊙ 217512	Front road Spring and Damper Assembly R.H.	143863	Socket Lower (-403/-400)	2 off
⊙ 217513	Front road Spring and Damper Assembly L.H.	143864	Socket Lower (-399/-396)	2 off
⊕ 217513	Front road Spring and Damper Assembly			
	Comprising items marked thus *			
	If fitted in pairs 217513(2) or 217448(2) R.H.S. and 217512-3 or 217448-9 L.H.S. may be used for all replacements.			

TOLEDO

PLATE C2(07-54)

B1767/4

FRONT SUSPENSION - Hub, Vertical Link, Tie Rod and Strut



NOTE

- 217986 Tie Rod Lever and Ball Joint Assembly R.H. 1off
- 217987 Tie Rod Lever and Ball Joint Assembly L.H. 1off
- 216896 Tie Rod Lever and Ball Joint Assembly R.H. 1off
- 216897 Tie Rod Lever and Ball Joint Assembly L.H. 1off
- 516107 Loctite

For Front Brake Assembly see Plate L1 and L2
 For Disc Brake Assembly see Plate L3

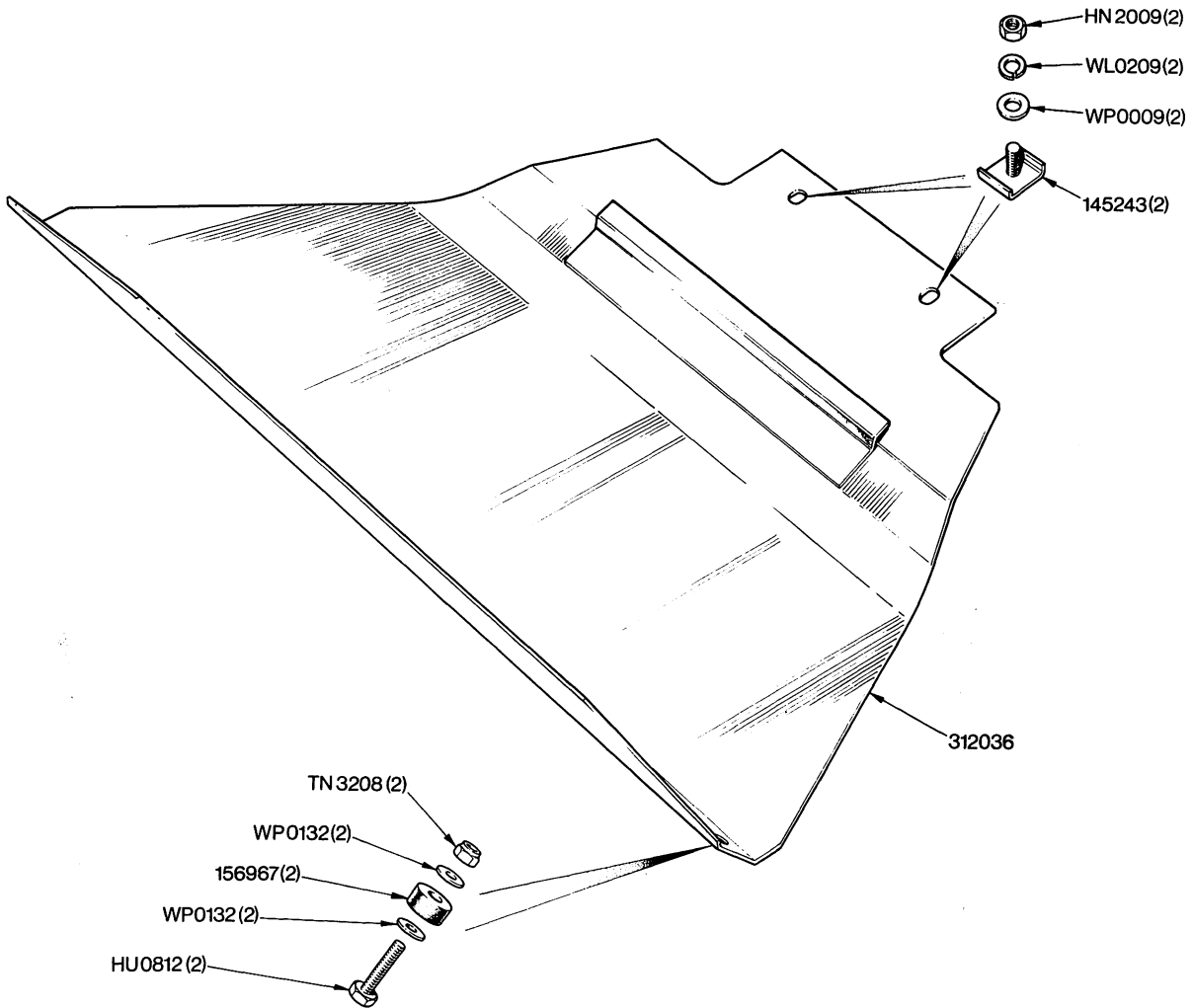
- * Drum Brakes only
- † Disc Brakes only

- Alternative to 216896-7
 - Alternative to 217986-7
- Comprising items marked thus †

© Fitted up to Commission No. ADS603 only
 Θ Fitted from Commission No. ADS604 and future

Δ Fitted up to Commission No. ADG26618, ADF32616, ADM5038, ADS5391 only
 Θ Fitted from Commission No. ADG26619, ADF32617, ADM5039, ADS5392 and future.

SKID PLATE



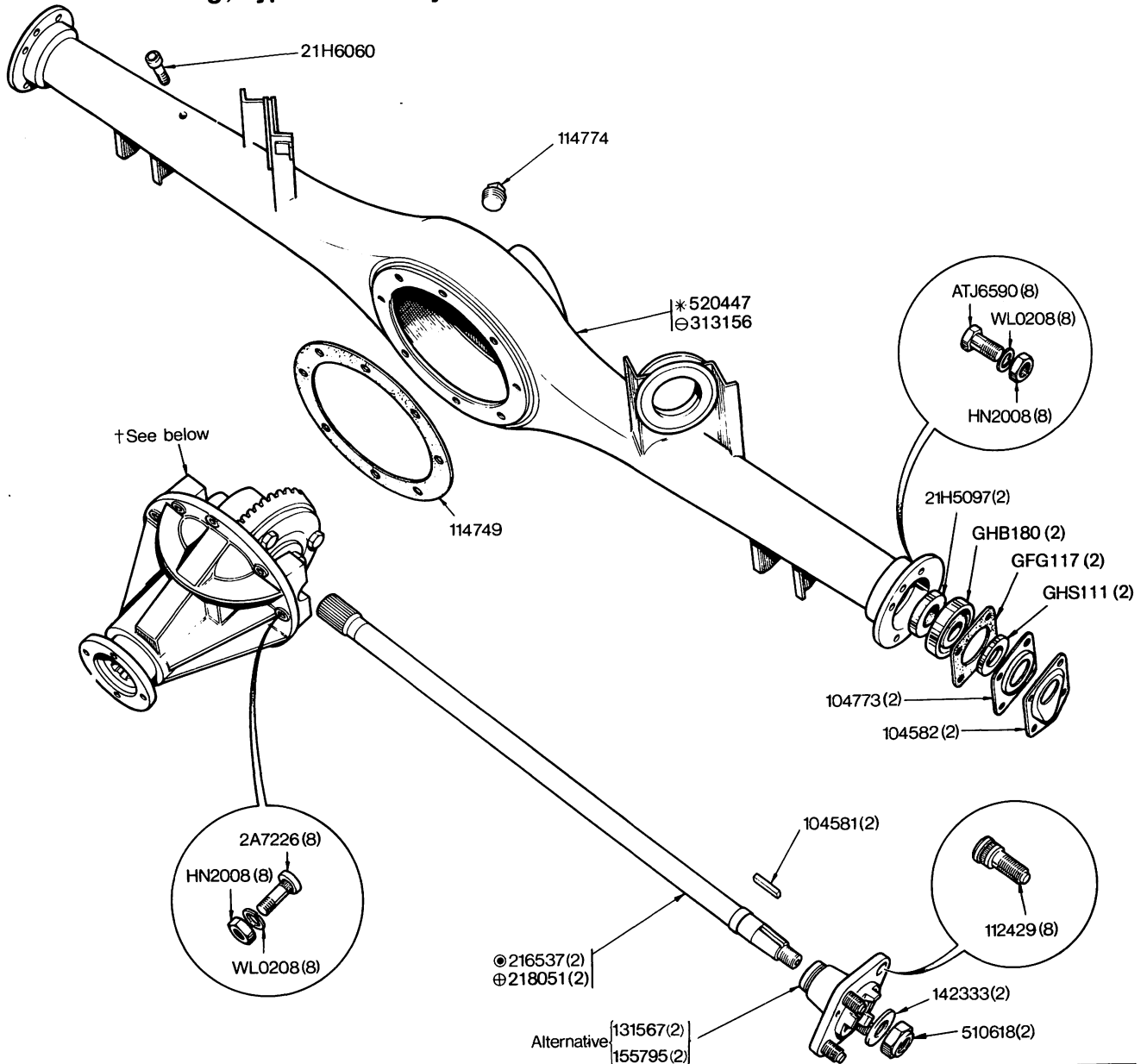
NOTE
The above details are special orders only

TOLEDO

PLATE C4(07-56)

B1986/3

REAR AXLE - Casing, Hypoid Assembly and Shaft



NOTE

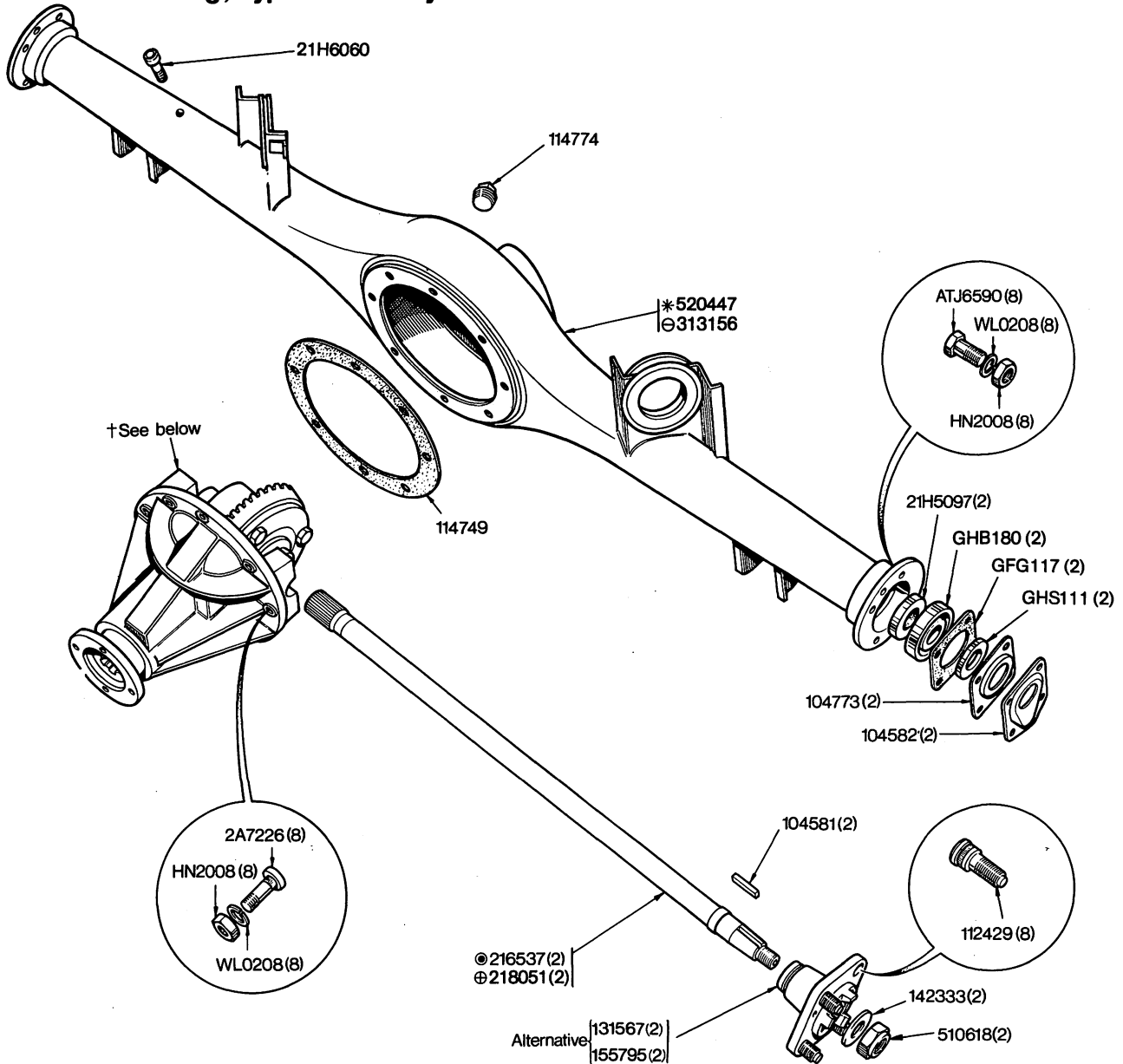
518911	Rear Axle Assembly 4.11:1 Ratio (Less shafts hubs and brake units)	} Fitted up to Axle No. DG 4000 only
† 216343	Hypoid Housing (Complete with Gears) 4.11:1 Ratio	
† 519772	Hypoid Housing (reconditioned - Complete with Gears) 4.11:1 Ratio (Comprising details on Plate D2)	
519129	Rear Axle Assembly 4.11:1 Ratio (less shafts hubs and brake units)	} Fitted from Axle No. DG 4001 and future
† 217081	Hypoid Housing (Complete with Gears) 4.11:1 Ratio	
† 519775	Hypoid Housing (Reconditioned - Complete with Gears) 4.11:1 Ratio (Comprising details of Plate D2)	

- ⊙ Fitted up to Axle No. only
- ⊕ Fitted from Axle No. and future (May be used for all replacements)
- * Fitted up to Axle No. only
- ⊖ Fitted from Axle No. and future (May be used for all replacements)

TOLEDO 1300.c.c.

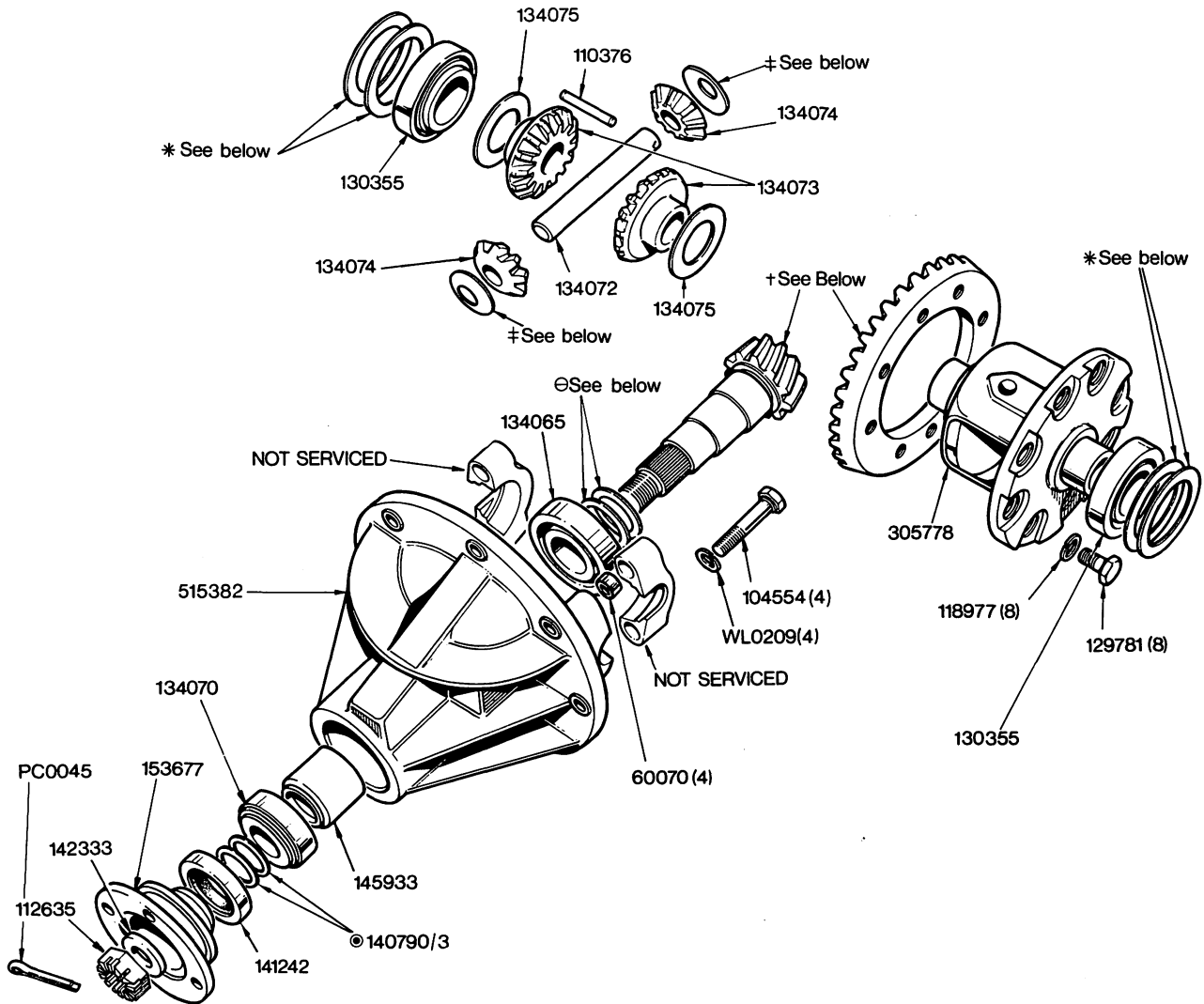
PLATE D1(07-59)

REAR AXLE - Casing, Hypoid Assembly and Shaft



NOTE		
518969	Rear Axle Assembly 3.89:1 Ratio (Less shafts hubs and brake units)	} Fitted up to Axle No. DM1000 only
† 216342	Hypoid Housing (Complete with Gears) 3.89:1 Ratio	
† 519771	Hypoid Housing (reconditioned - Complete with Gears) 3.89:1 Ratio (Comprising details on Plate D2)	
519130	Rear Axle Assembly 3.89:1 Ratio (less shafts hubs and brake units)	} Fitted from Axle No. DM1001 and future
† 217080	Hypoid Housing (Complete with Gears) 3.89:1 Ratio	
† 519774	Hypoid Housing (Reconditioned - Complete with Gears) 3.89:1 Ratio (Comprising details on Plate D2)	
⊙ Fitted up to Axle No.	only	
⊕ Fitted from Axle No.	and future (May be used for all replacements)	
* Fitted up to Axle No	only	
⊖ Fitted from Axle No	and future (May be used for all replacements)	
TOLEDO 1500c.c.		PLATE D1a(07-60)

REAR AXLE - Differential Details - Fitted up to Axle Nos DG4000 (1300cc), DM 1000 (1500cc)



NOTE

The details on this Plate are fitted up to Axle No.s DG4000 (1300cc) DM1000 (1500cc) only (see Plate D3 for future)

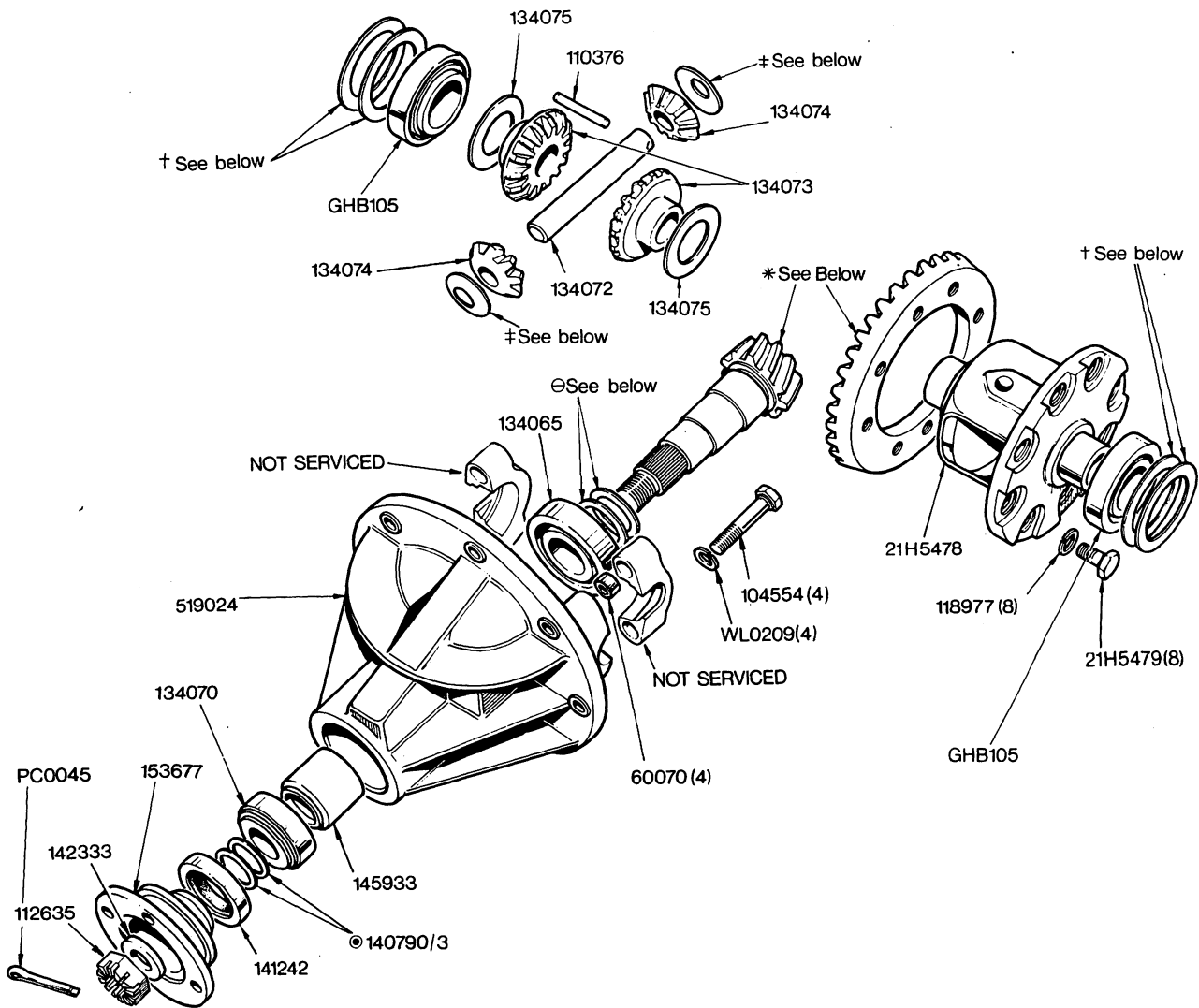
+ 153679 CROWN WHEEL AND PINION ASSY (3-89:1 RATIO - 1500cc ENGINE)	‡ 138440 WASHER THRUST (.027")	147251 WASHER THRUST (.037")
+ 153680 CROWN WHEEL AND PINION ASSY (4-11:1 RATIO - 1300cc ENGINE)	147249 WASHER THRUST (.029")	138442 WASHER THRUST (.039")
	134076 WASHER THRUST (.030"-0.032")	148805 WASHER THRUST (.041")
	147250 WASHER THRUST (.033")	147252 WASHER THRUST (.043")
	138441 WASHER THRUST (.035")	
* 123813 SHIM (.009")	⊖ 145918 SHIM (.075")	145922 SHIM (.081")
123814 SHIM (.013")	145919 SHIM (.0765")	148102 SHIM (.082")
123815 SHIM (.014")	148099 SHIM (.077")	145923 SHIM (.0825")
123816 SHIM (.016")	145920 SHIM (.078")	145924 SHIM (.084")
123817 SHIM (.019")	148100 SHIM (.079")	145925 SHIM (.0855")
	145921 SHIM (.0795")	148104 SHIM (.085")
	148101 SHIM (.080")	145925 SHIM (.0855")
⊙ 140790 SHIM (.030")		148105 SHIM (.086")
140791 SHIM (.010")		145926 SHIM (.087")
140792 SHIM (.005")		145927 SHIM (.0885")
140793 SHIM (.003")		145928 SHIM (.090")
		145929 SHIM (.0915")
		145930 SHIM (.093")
		145931 SHIM (.0945")
		145932 SHIM (.096")

TOLEDO

PLATE D2 (07-61)

B1771/4

REAR AXLE - Differential Details - Fitted from Axle Nos. DG 4001 (1300cc), DM 1001 (1500cc)



NOTE

The details on this Plate are fitted from Axle No.s DG4001 (1300cc) DM1001 (1500cc) and future (see Plate D2 for previous)

* 518843 CROWN WHEEL AND PINION ASSY
(4.11:1 RATIO-1300cc ENGINE)

* 518844 CROWN WHEEL AND PINION ASSY
(3.89:1 RATIO-1500cc ENGINE)

† 154921 SHIM (.0092"-.0098")
154925 SHIM (.019"-.021")
156082 SHIM (.0025"-.0035") } A/R
156083 SHIM (.0045"-.0055")

⊙ 140790 SHIM (.030")
140791 SHIM (.010") } A/R
140792 SHIM (.005")
140793 SHIM (.003")

‡ 138440 WASHER THRUST (.027") 147251 WASHER THRUST (.037")
147249 WASHER THRUST (.029") 138442 WASHER THRUST (.039")
134076 WASHER THRUST (.030"-.032") 148805 WASHER THRUST (.041") } A/R
147250 WASHER THRUST (.033") 147252 WASHER THRUST (.043")
138441 WASHER THRUST (.035")

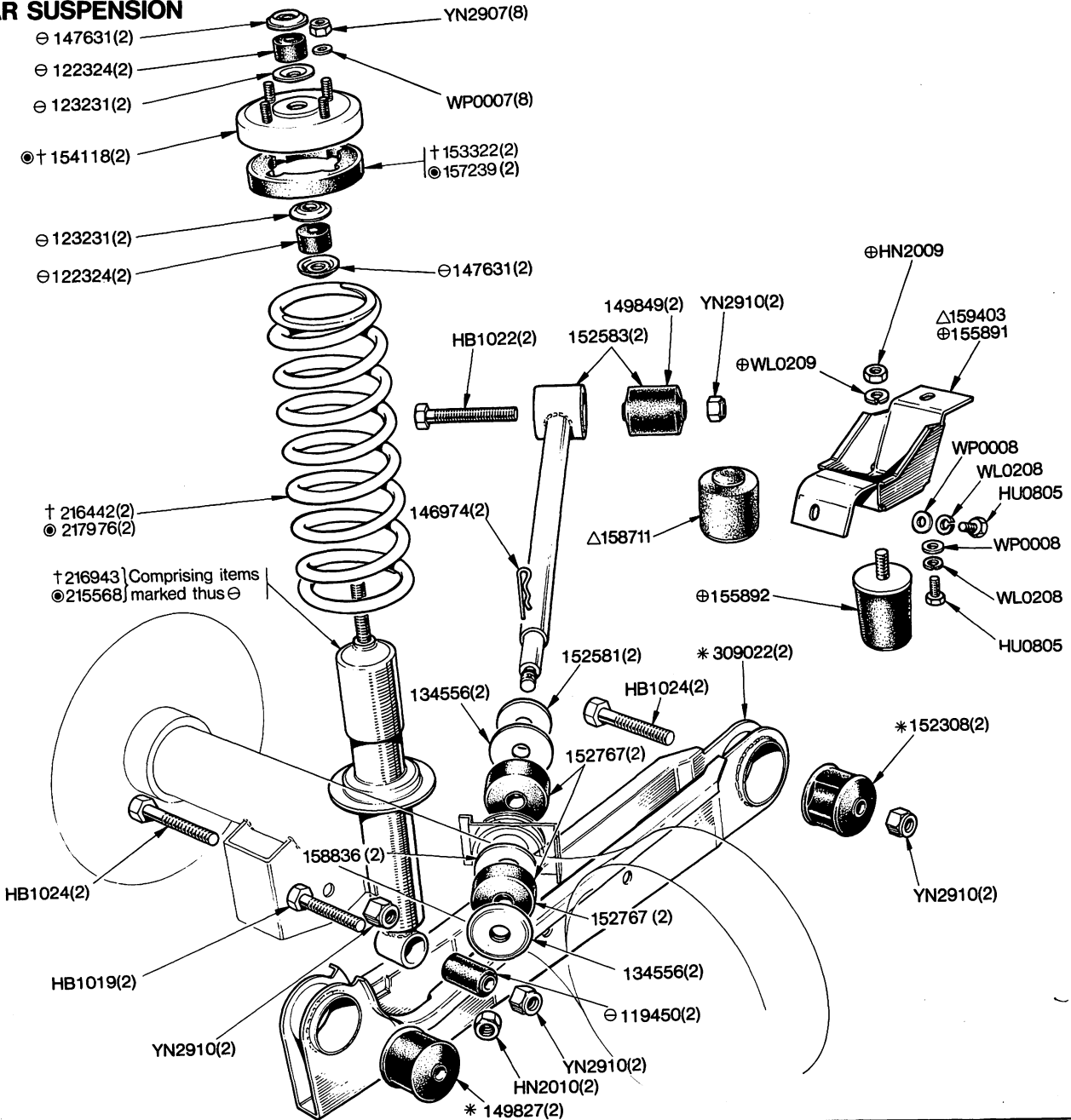
⊖ 145918 SHIM (.075") 145922 SHIM (.081") 148105 SHIM (.086")
145919 SHIM (.0765") 148102 SHIM (.082") 145926 SHIM (.087")
148099 SHIM (.077") 145923 SHIM (.0825") 145927 SHIM (.0885")
145920 SHIM (.078") 148103 SHIM (.083") 145928 SHIM (.090")
148100 SHIM (.079") 145924 SHIM (.084") 145929 SHIM (.0915") } A/R
145921 SHIM (.0795") 148104 SHIM (.085") 145930 SHIM (.093")
148101 SHIM (.080") 145925 SHIM (.0855") 145931 SHIM (.0945")
145932 SHIM (.096")

TOLEDO

PLATE D3 (07-62)

B2664

REAR SUSPENSION



NOTE:

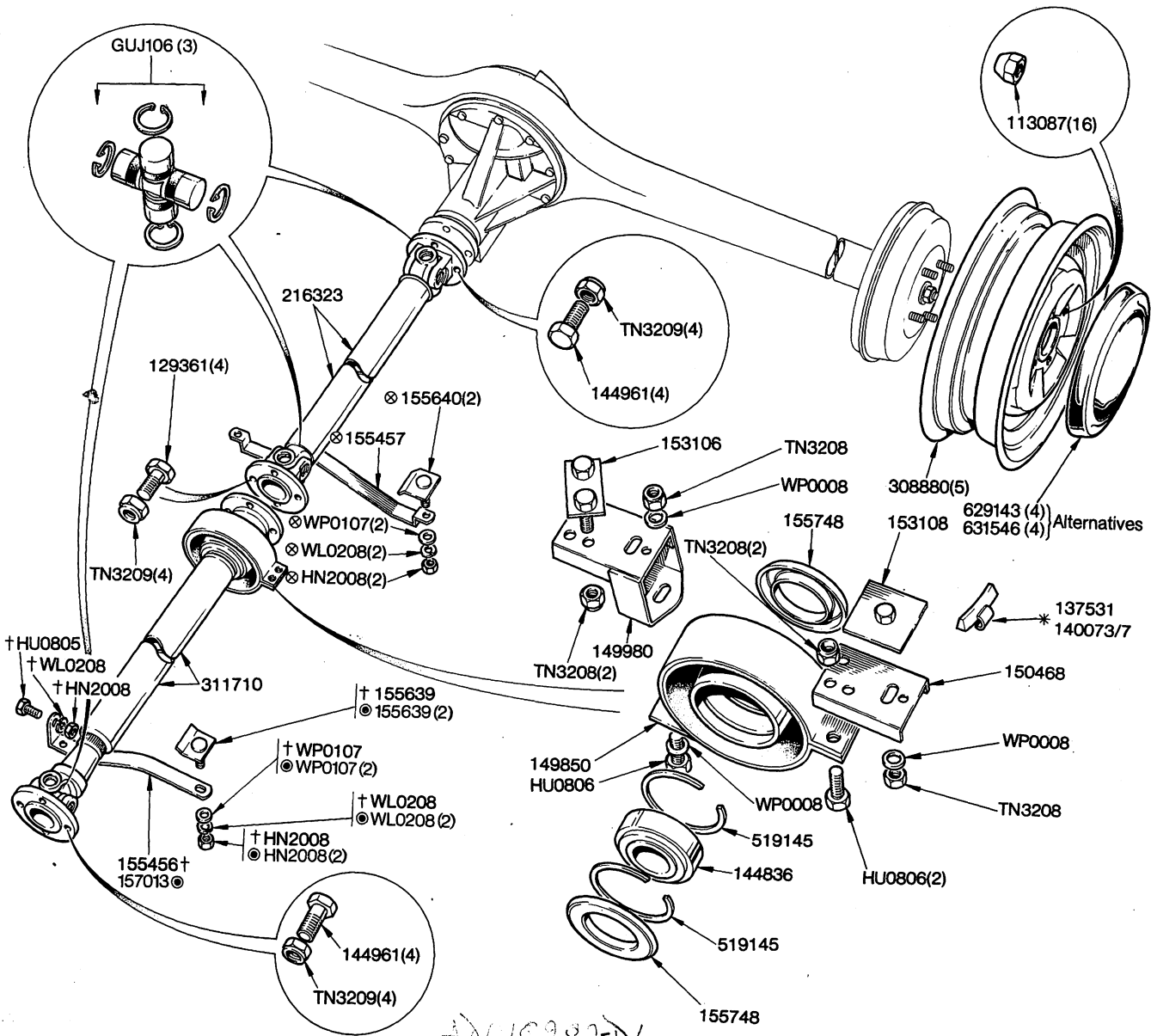
309022	Lower Link and Bush Assembly (Comprising items marked thus *)	2 off	
216941	Rear Road Spring and Damper Assembly (Comprising items marked thus †)	2 off	} Fitted up to Trim Body Nos T17850DG, T1926DK only
218012	Rear Road Spring and Damper Assembly (comprising of items marked thus ●)	2 off	

⊕ Fitted up to Commission No only
 Δ Fitted from Commission No and future (NOTE: If 158711 is fitted in conjunction with 159403 may be used for all replacements)

TOLEDO **PLATE E1 (07-63)**

B1917/4

PROPELLOR SHAFT AND ROAD WHEELS



ADG15282-DL

NOTE

The details on this Plate are fitted up to Commission No. ADG 25392 (2 Door 1300cc) ADF27621 (4 Door 1300cc) ADM 3048 (2 Door 1500cc) ADS 1722 (4 Door 1500cc)

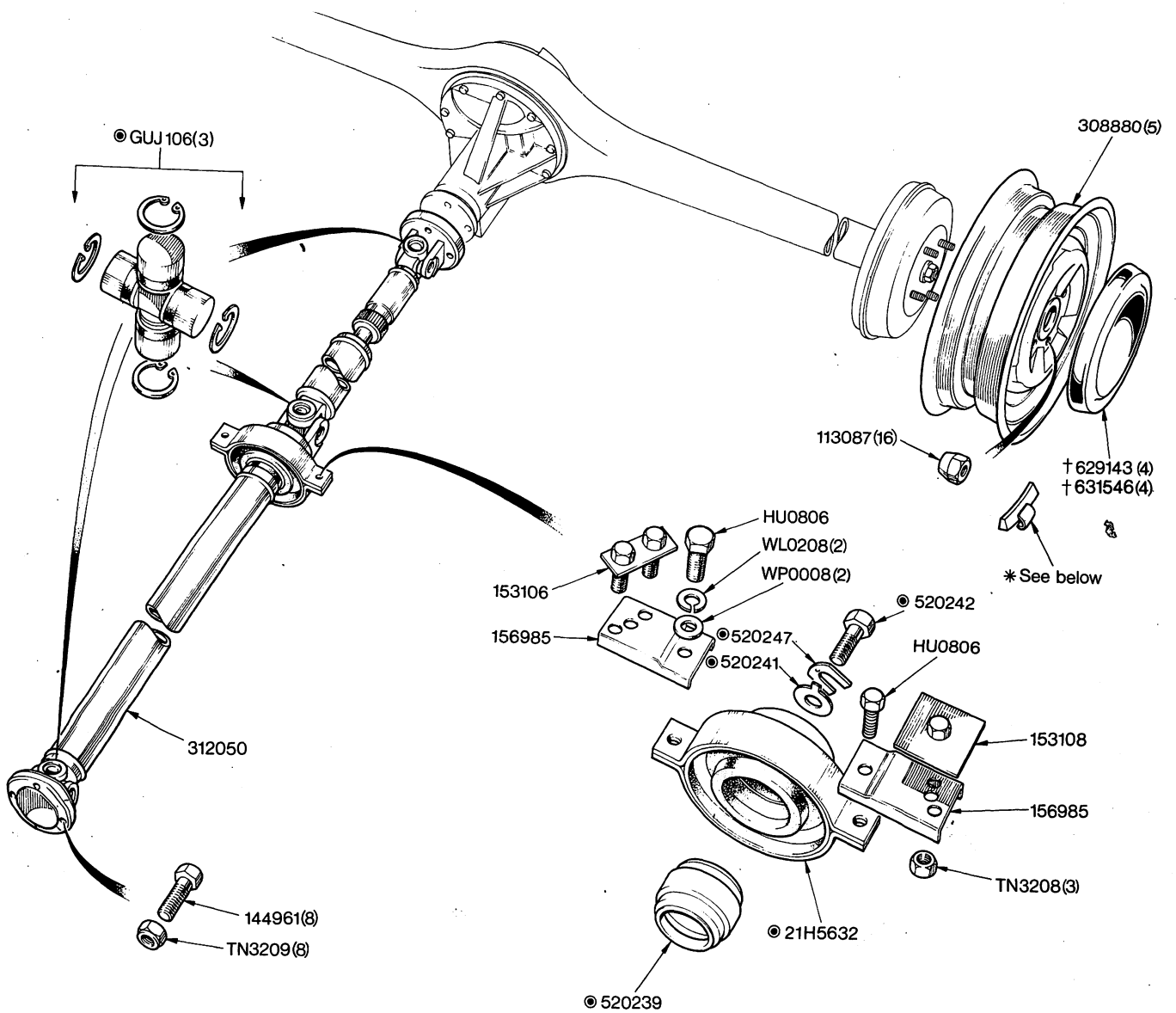
- *137531 Weight, balance (½oz)
 - 140073 Weight, balance (1oz)
 - 140074 Weight, balance (1½ oz)
 - 140075 Weight, balance (2oz)
 - 140076 Weight, balance (2½oz)
 - 140077 Weight, balance (3oz)
- } A/R

† Fitted up to Body No. 8677 DG only

⊙ Fitted from Body No. 8678 DG up to Trim Body Nos T18001 DG (2 Door) T983 DK (4 Door) only

⊗ Fitted up to Trim Body Nos T18001 DG (2 Door) T983 DK (4 Door) only

PROPELLOR SHAFT AND ROAD WHEELS



NOTE

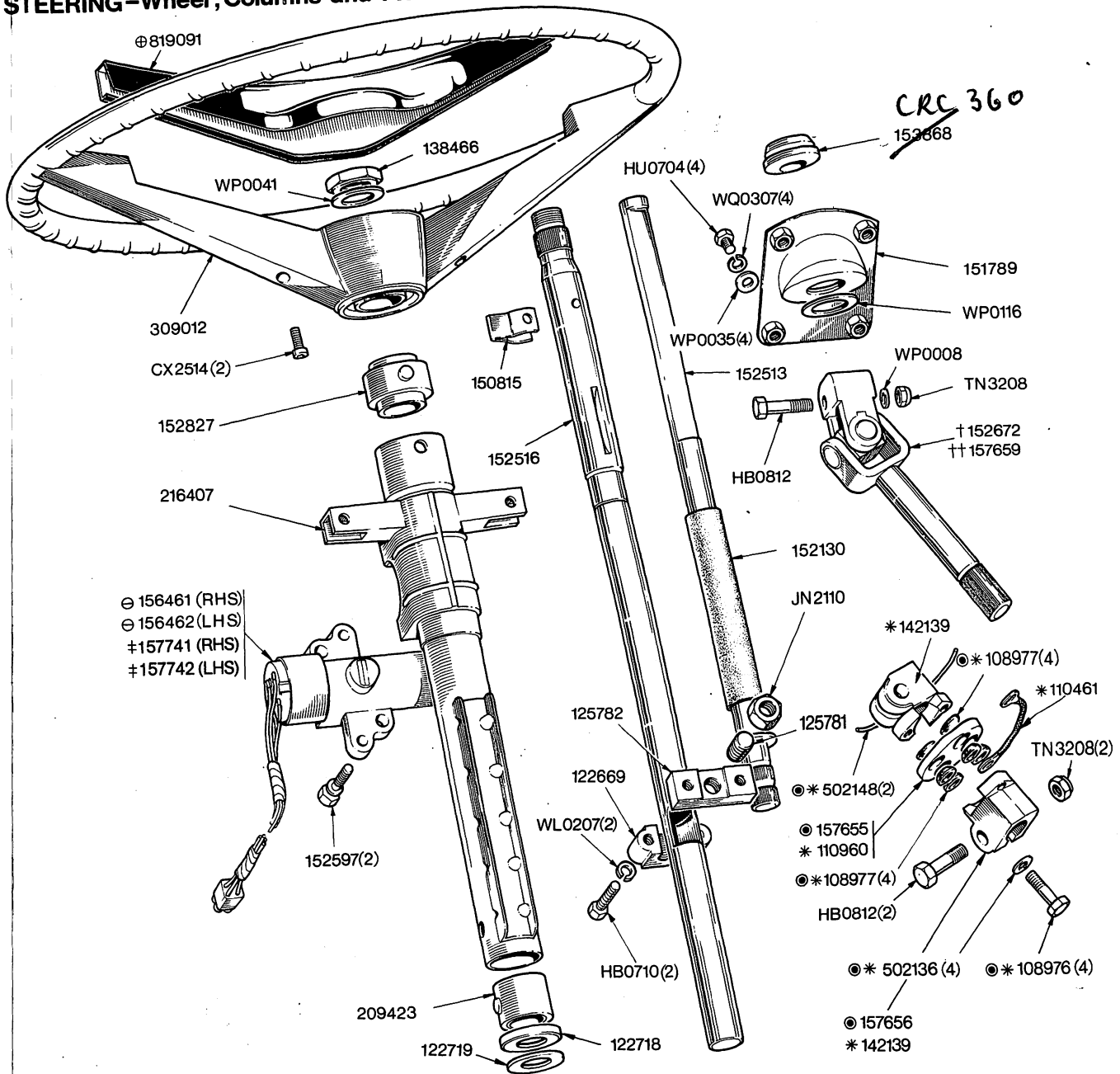
The details on this plate are fitted from Commission No. ADG25393 (2 Door 1300cc) ADF27622 (4 Door 1300cc) ADM 3049 (2 Door 1500cc) ADS 1723 (4 Door 1500cc)

- * 137531 Balance Weight (1/2oz.)
- * 140073 Balance Weight (1oz.)
- * 140074 Balance Weight (1 1/2oz.)
- * 140075 Balance Weight (2oz.)
- * 140076 Balance Weight (2 1/2oz.)
- * 140077 Balance Weight (3oz.)

† Alternatives

312050 Propellor Shaft (comprising items marked ©)

STEERING-Wheel, Columns and Flexible Joints



CRC 360

152868

NOTE

142140 Flexible Joint Assembly 1off. Comprising all items marked thus* Fitted up to Commission No ADG28592, ADF35364, ADM5167, ADS5475 only

FAM 1718

142137 Flexible Joint Assembly 1off. Comprising all items marked thus© Fitted from Commission No ADG28593, ADF35365, ADM5168, ADS5476 and future

† Fitted up to Commission No ADG28592, ADF35364, ADM5167, ADS5475 only

†† Fitted from Commission No ADG28593, ADF35365, ADM5168, ADS5476 and future

Latest details may be used for all replacements

⊕ 820931 (alternative fitment to 819091)

⊖ Wilmot Breeden Type } Alternatives
 ‡ C. E. Marshall Type }

⊕ 820711 Lockset Assembly R.H.S.

⊖ 820712 Lockset Assembly L.H.S.

‡ 577241 Lockset Assembly R.H.S.

‡ 577242 Lockset Assembly L.H.S.

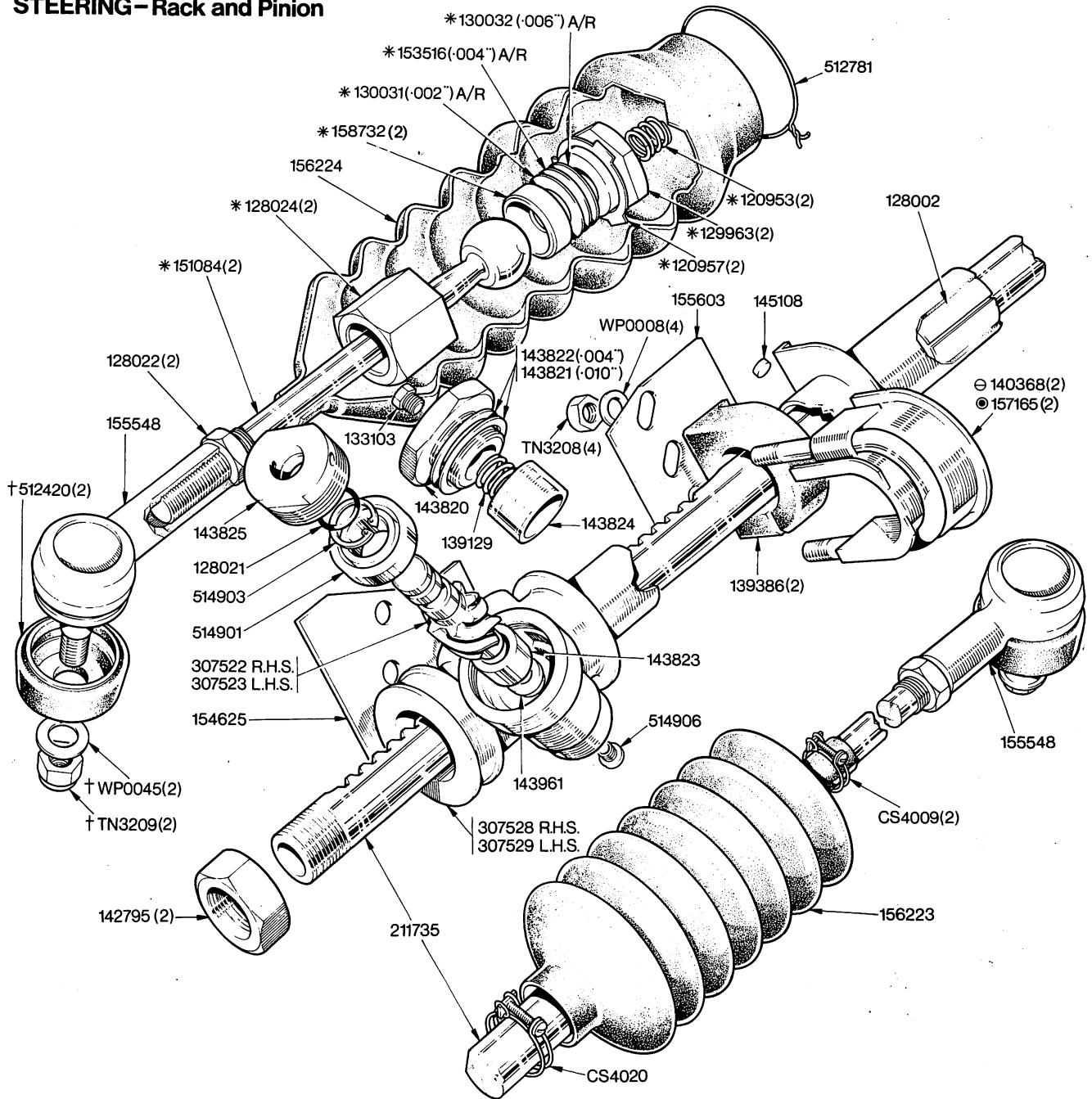
(Above details comprise Steering Column Lock and Front Door Lock)

TOLEDO

PLATE F1 (07-67)

B1936/4

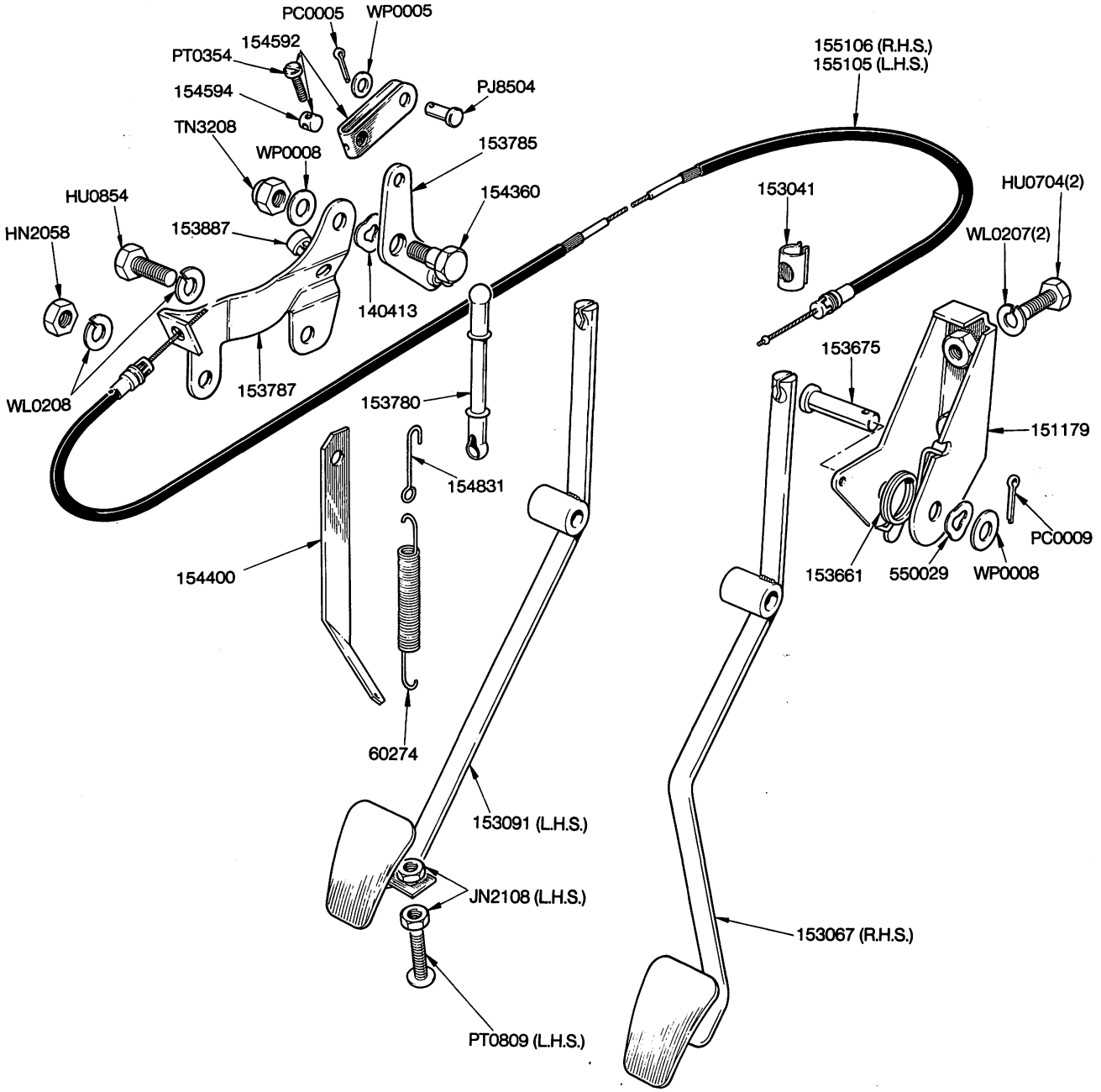
STEERING - Rack and Pinion



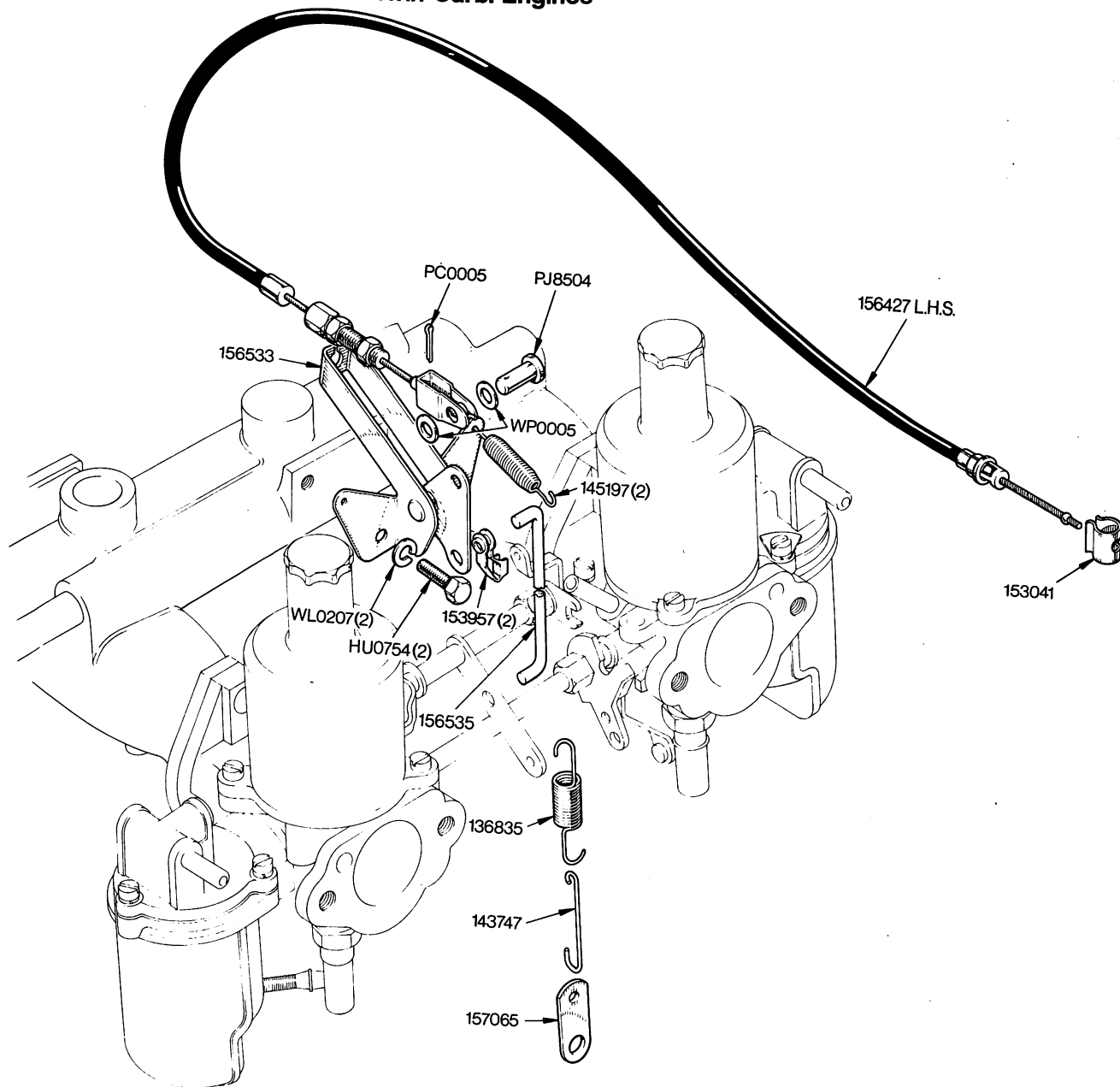
NOTE

308752 Rack & Pinion Assembly R.H.S. } Comprising all details on this plate
 308753 Rack & Pinion Assembly L.H.S. }
 151085 Inner Ball Joint Assembly 2off Comprising items marked thus *
 155548 Outer Ball Joint Assembly 2off Comprising items marked thus †
 ⊖ Fitted up to commission No ADG1079 only
 ⊙ Fitted from commission No ADG1080 and future (may be used for all replacements)

ACCELERATION CONTROL - Single Carb Engines



ACCELERATION CONTROL - Twin Carb. Engines



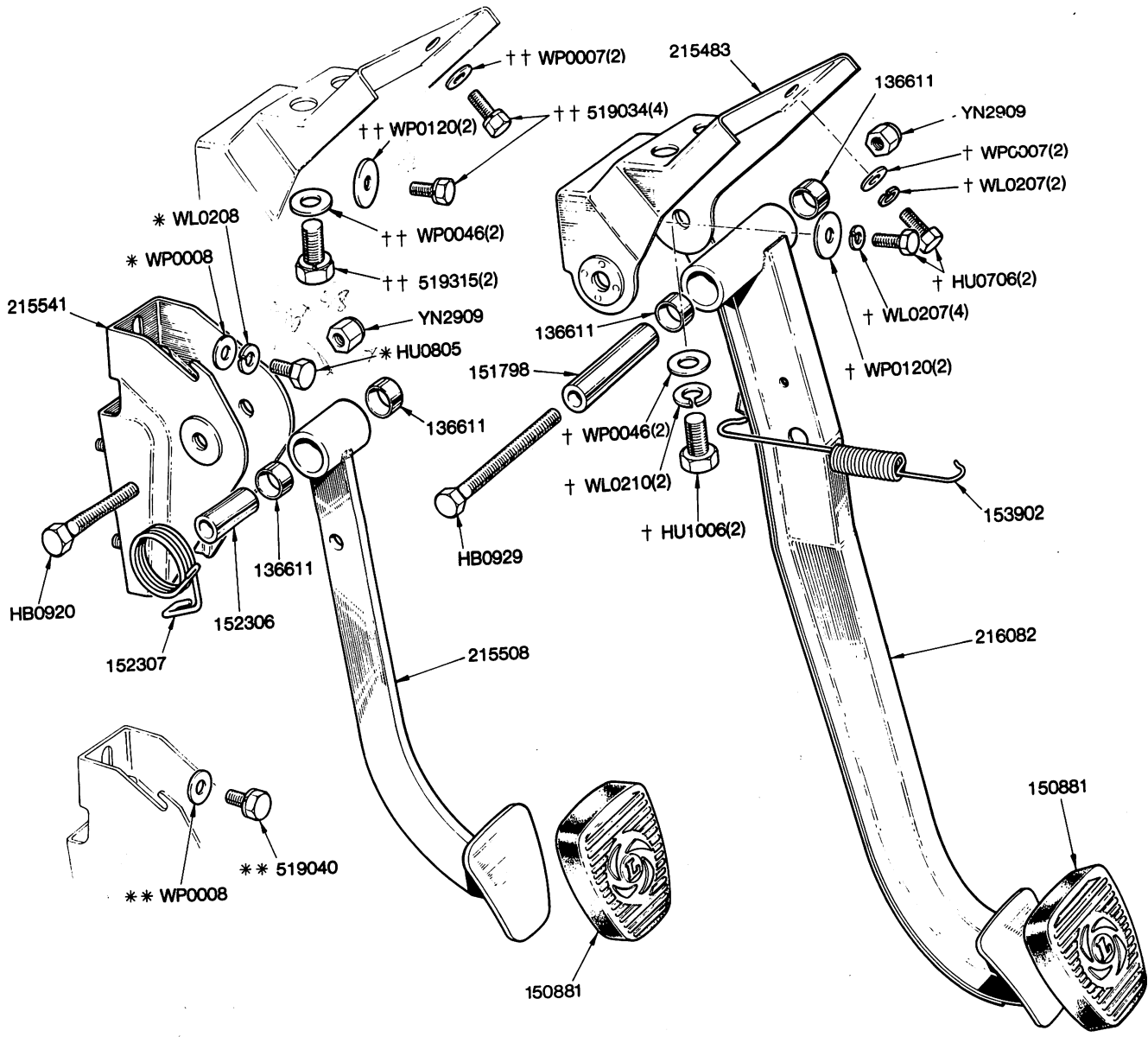
NOTE
For Accelerator Pedal Details see Plate G1

TOLEDO

PLATE G2 (07-72)

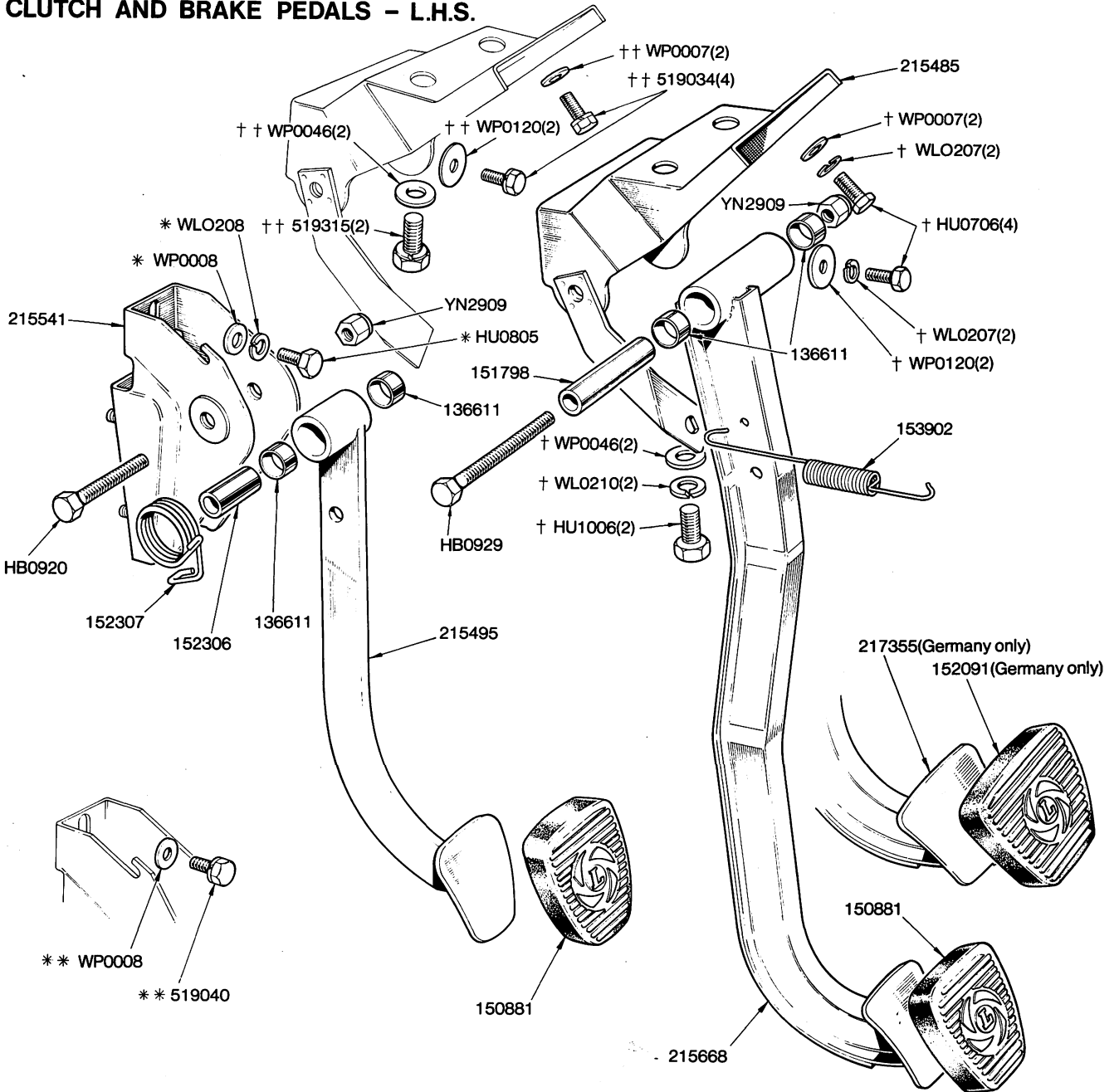
B1934/3

CLUTCH AND BRAKE PEDALS - R.H.S.



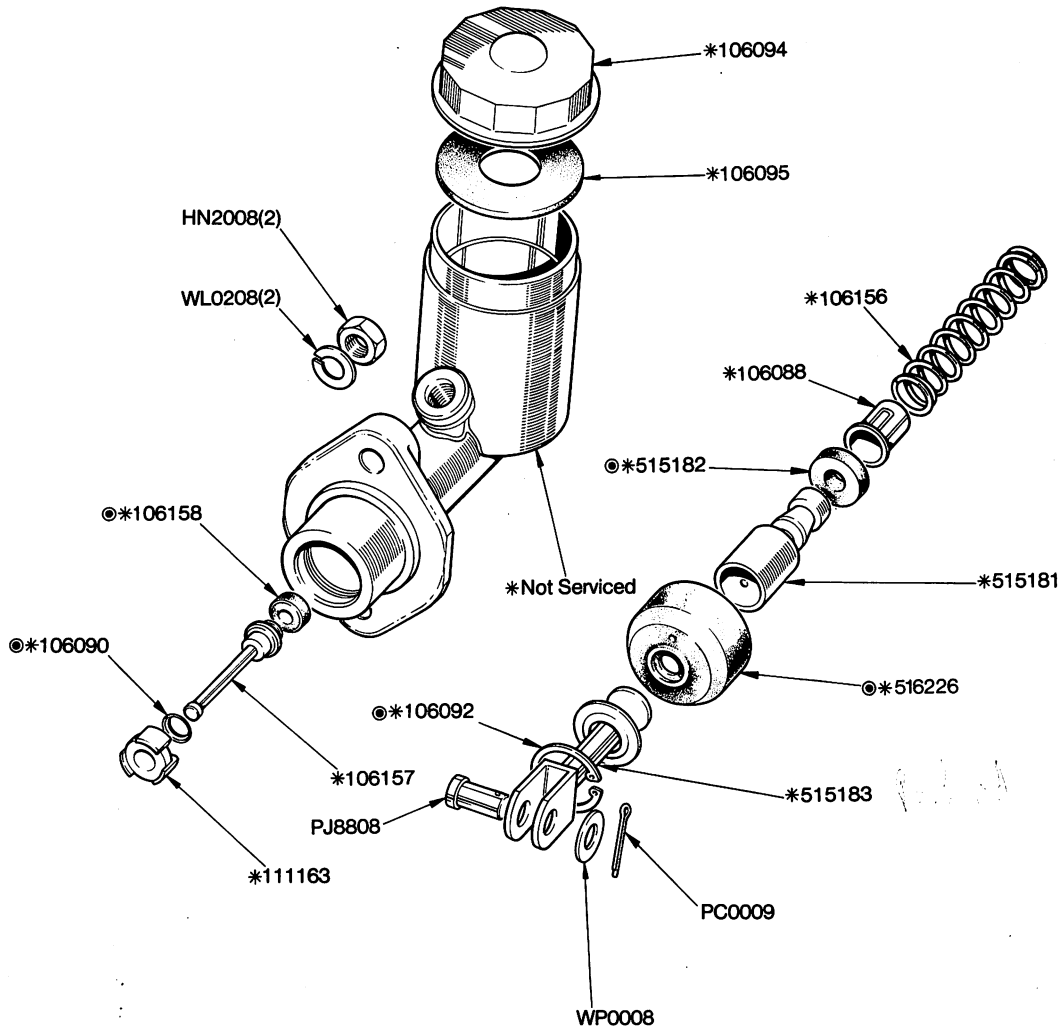
NOTE:-
 Items marked thus ** are alternative fitments to items marked *
 Items marked thus † † are alternative fitments to items marked †

CLUTCH AND BRAKE PEDALS - L.H.S.



NOTE:-
 Items marked thus ** are alternative fitments to items marked thus *
 Items marked thus ++ are alternative fitments to items marked thus +

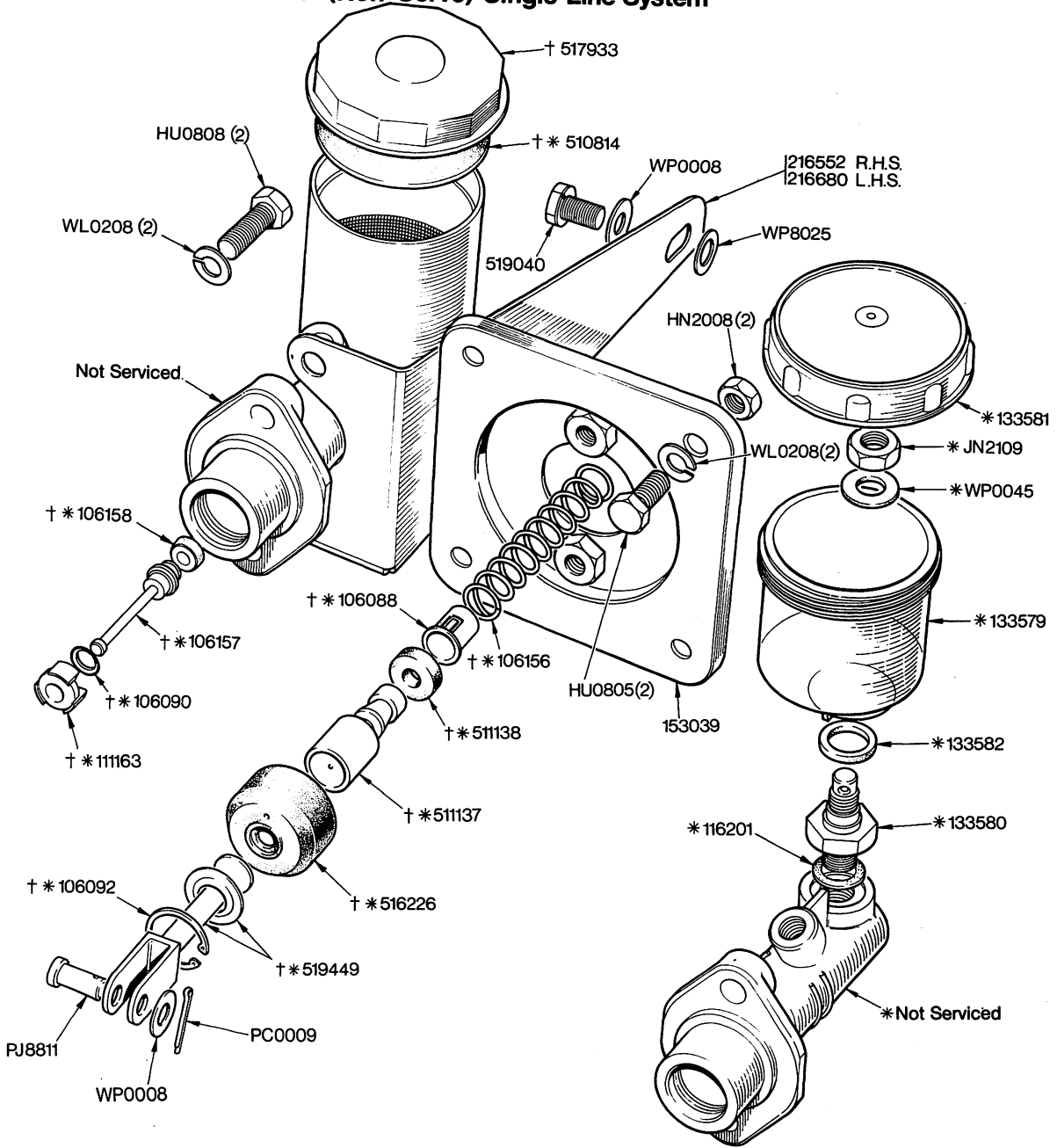
CLUTCH MASTER CYLINDER



NOTE

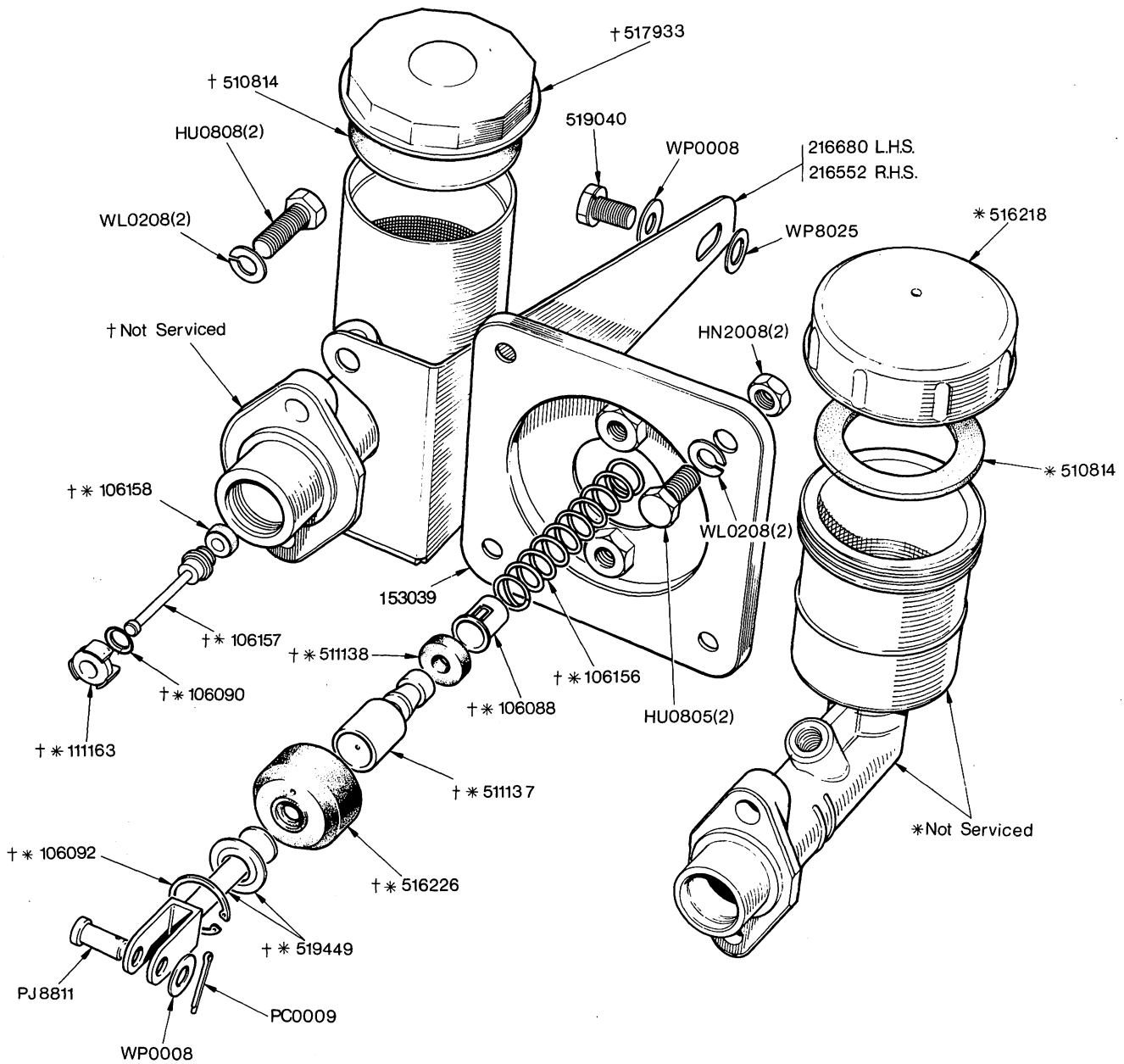
138928	Clutch Master Cylinder Assembly	1 off (Comprising details indicated thus *)
505100	Clutch Master Cylinder Repair Kit	1 off (Comprising details indicated thus ◎)

BRAKE MASTER CYLINDER-(Non-Servo) Single Line System



153301	Brake Master Cylinder Assembly (Comprising items marked thus †)	1off	} Normal fitment
217192	Brake Master Cylinder Assembly (Comprising items marked thus *)	1off	
NOTE			
Single braking system fitted up to Trim Body No T15210G only. See Plate J3 for future.			
521154	Service Kit (for 153301 Master Cylinder)		
521155	Service Kit (for 217192 Master Cylinder)		

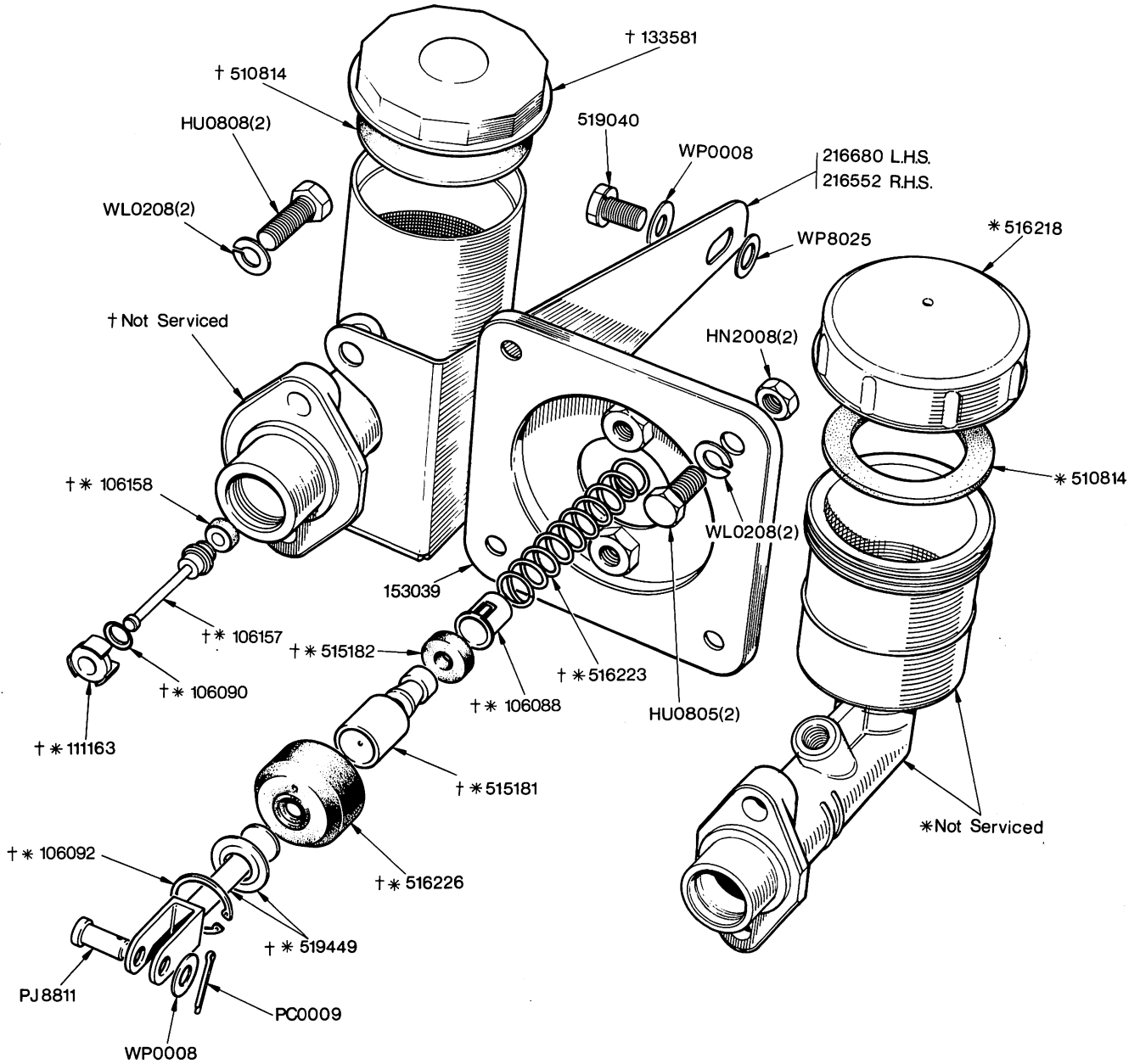
BRAKE MASTER CYLINDER (NON-SERVO) - Single Line System



NOTE

- 153301 Brake Master Cylinder Assembly R.H.S. 1 off
(Comprising items marked thus †)
- 311990 Brake Master Cylinder Assembly L.H.S.
(Comprising items marked thus *)
- Single Braking System fitted from trimmed Body No. T.1522 DG
up to trimmed Body No. T19713DG (2 Door) T6041DK (4 Door) only
(See Plate J2 for previous and J4 for future fitment).
- 521154 Service Kit (R.H.S. Master Cylinder)
- 521155 Service Kit (L.H.S. Master Cylinder)

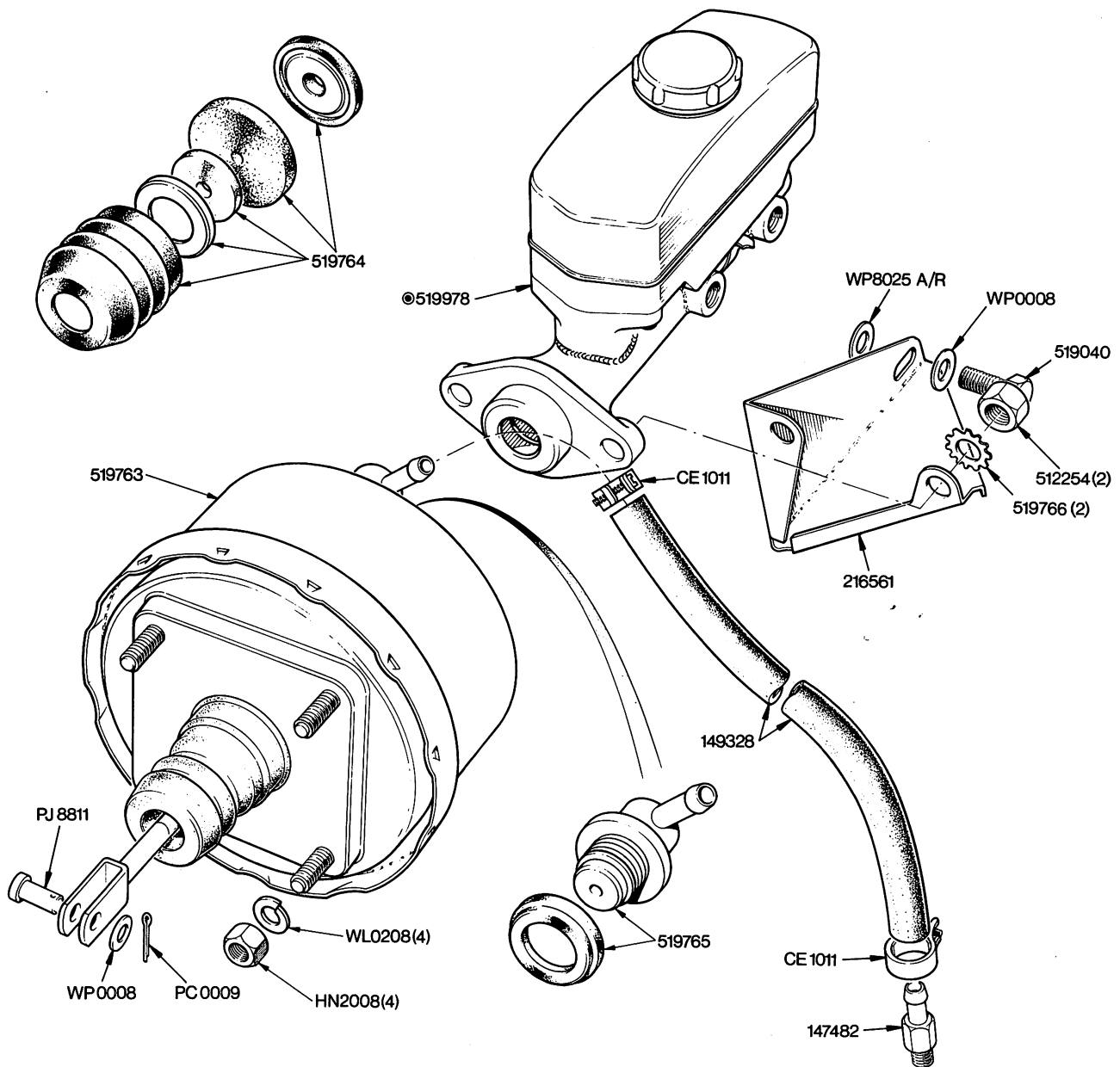
BRAKE MASTER CYLINDER (NON-SERVO) - Single Line System



NOTE

- 157503 BRAKE MASTER CYLINDER - R.H.S. (Comprising items marked thus †)
- 157504 BRAKE MASTER CYLINDER - L.H.S. (Comprising items marked thus *)
- Single Braking System fitted from Trimmed Body No's T19714 DG (2 Door) T6042 DK (4 Door) and future
- (May be used for all replacements)
- See Plate J3 for previous fitment
- 505100 Service Kit 1off

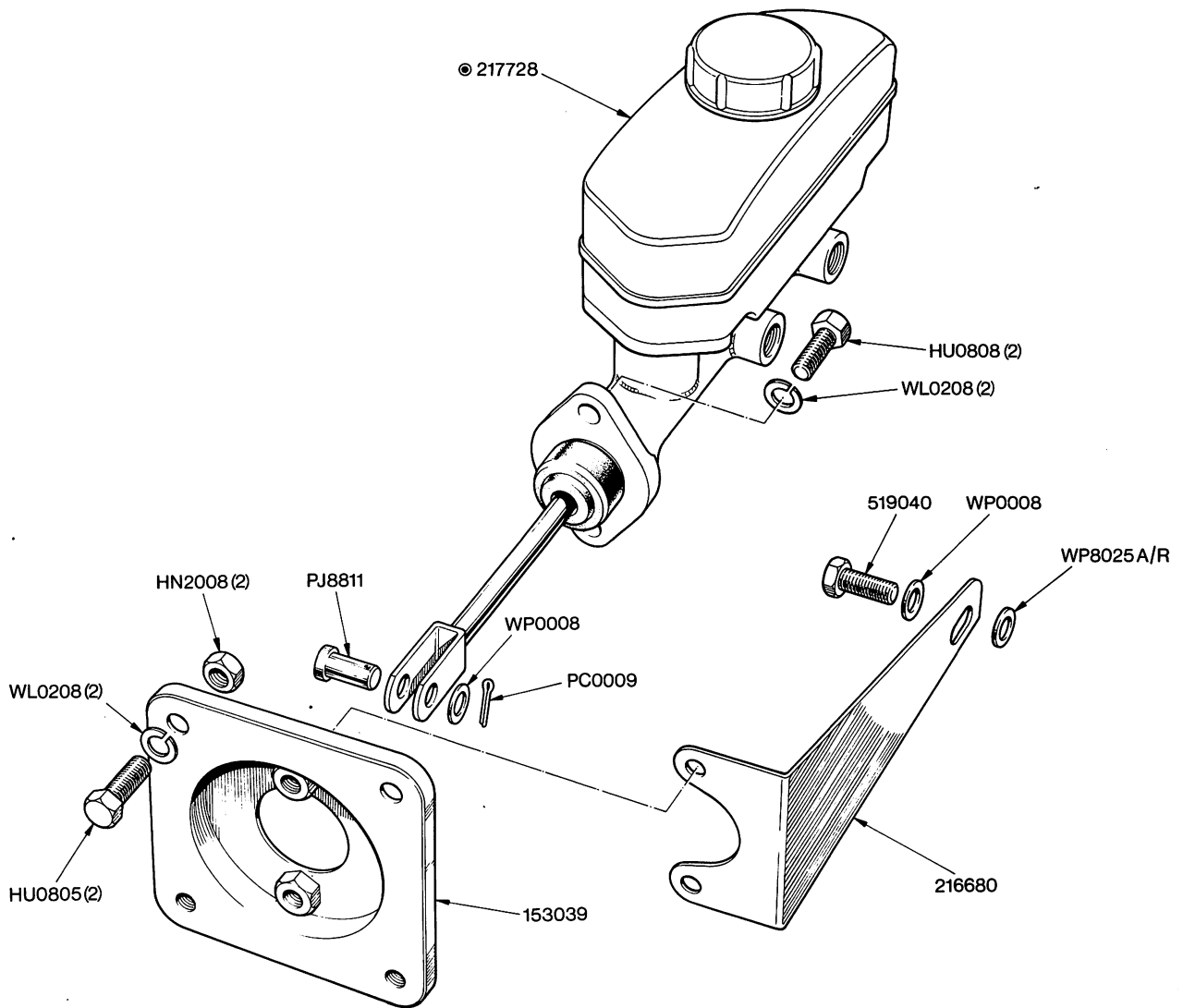
BRAKE MASTER CYLINDER AND SERVO-Tandem Line System



NOTE

519764 Minor Service Kit 1off
 519765 Non Return Valve Kit 1off
 ©For break down details of 519978 see Plate J8

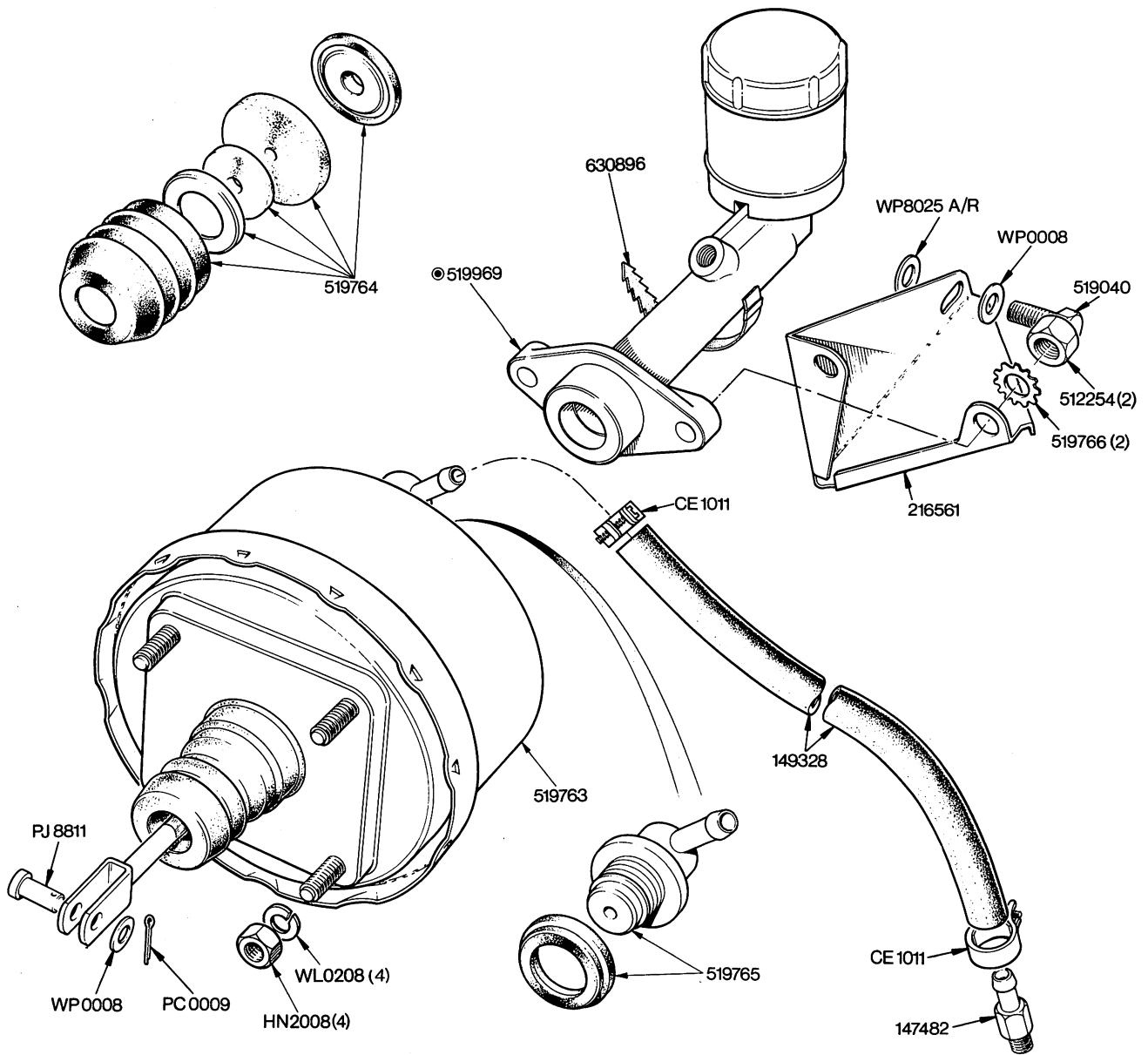
BRAKE MASTER CYLINDER (NON-SERVO) TANDEM LINE SYSTEM



Note

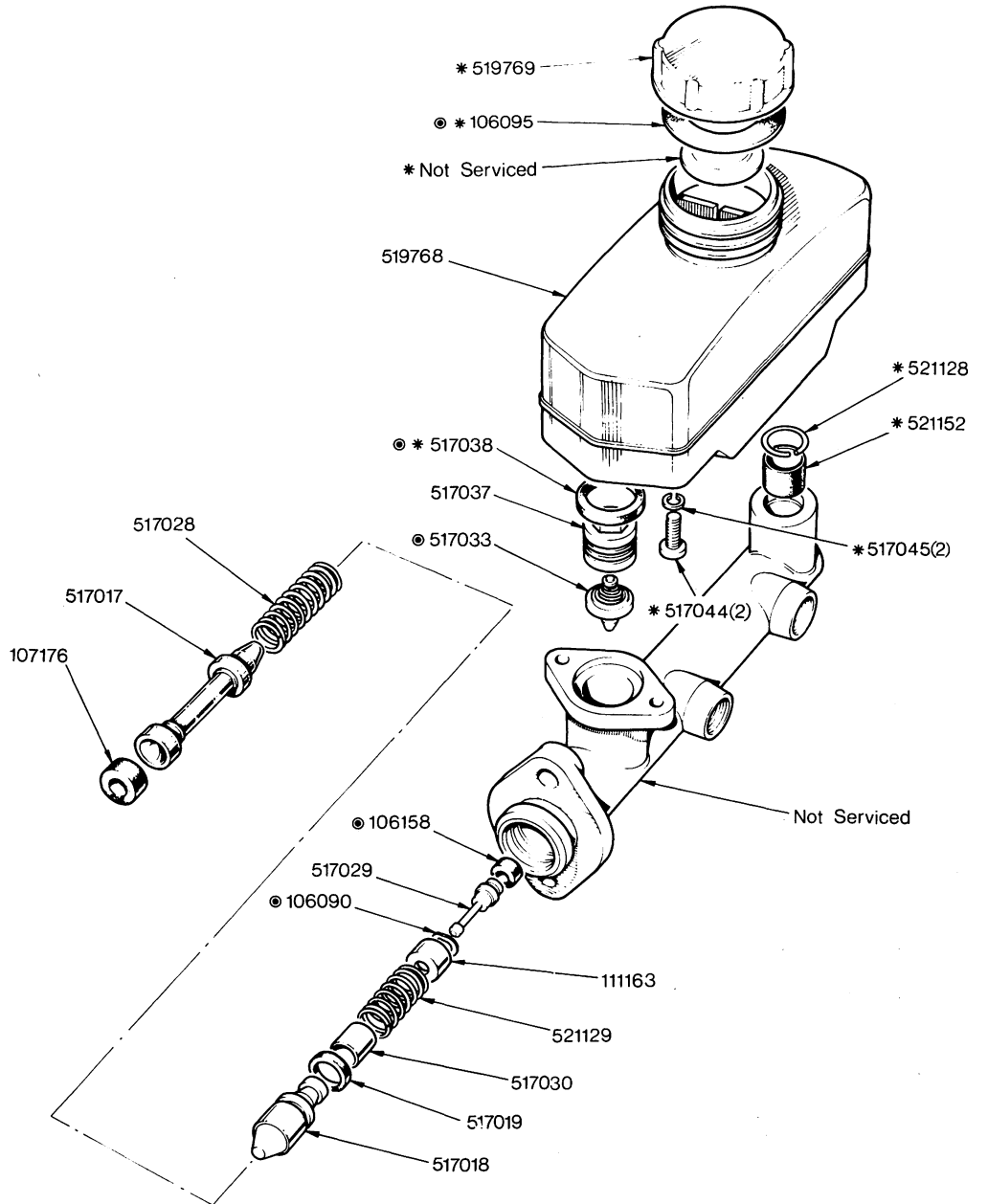
© For Breakdown details of 217728 see Plate J9

BRAKE MASTER CYLINDER AND SERVO - Single Line System - Twin Carb Model Only



NOTE
 519764 Minor Repair Kit 1off
 519765 Non-Return Valve Kit 1off
 ©For break down details of 519969 see Plate J10

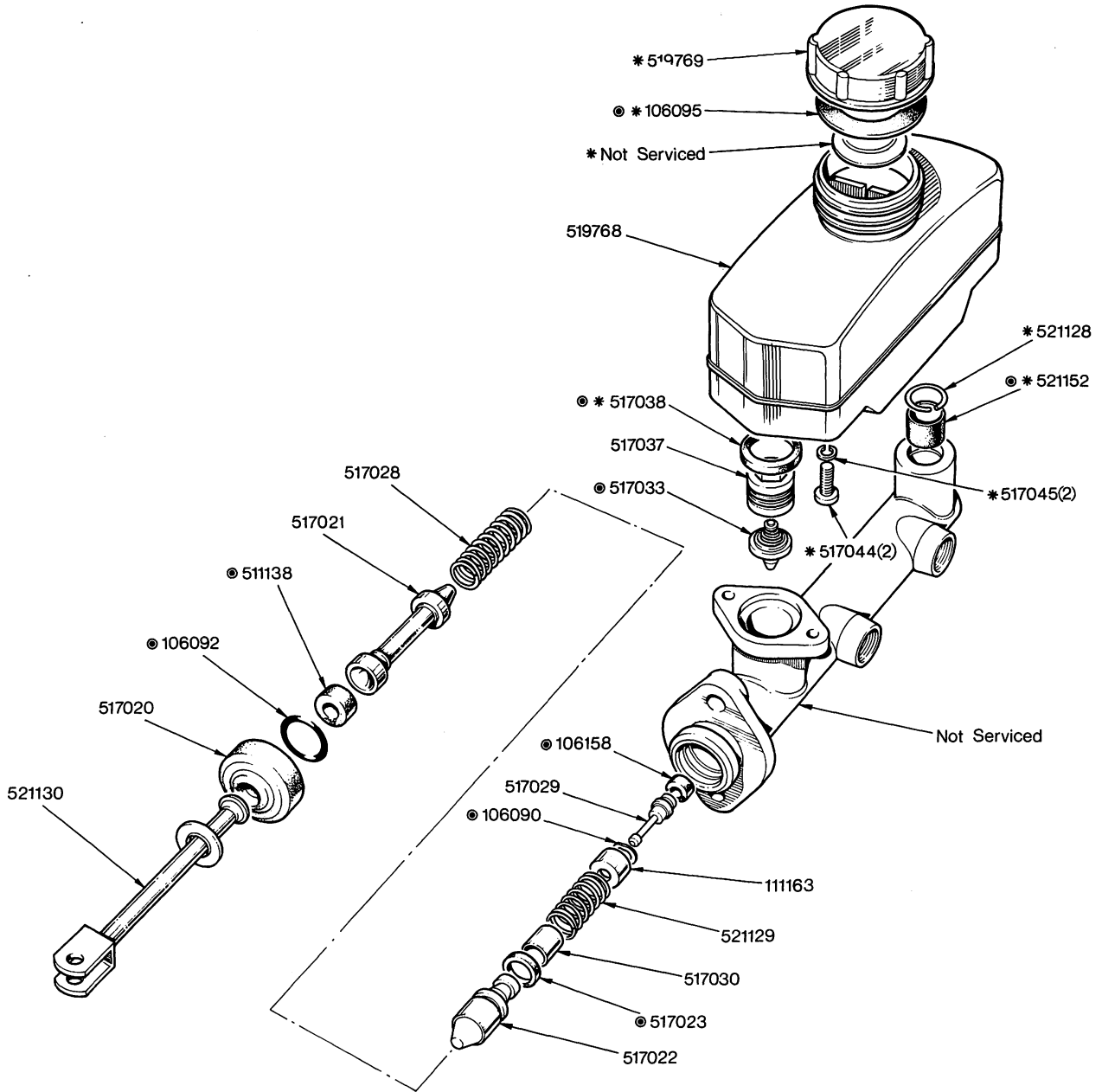
MASTER BRAKE CYLINDER (SERVO ASSISTED) – Tandem Line System



NOTE

519978 Brake Master Cylinder 1off (Comprising all details on this plate)
 Items indicated * are part of 519768 Reservoir Kit
 521157 Service Kit 1off (Comprising items indicated ◎)

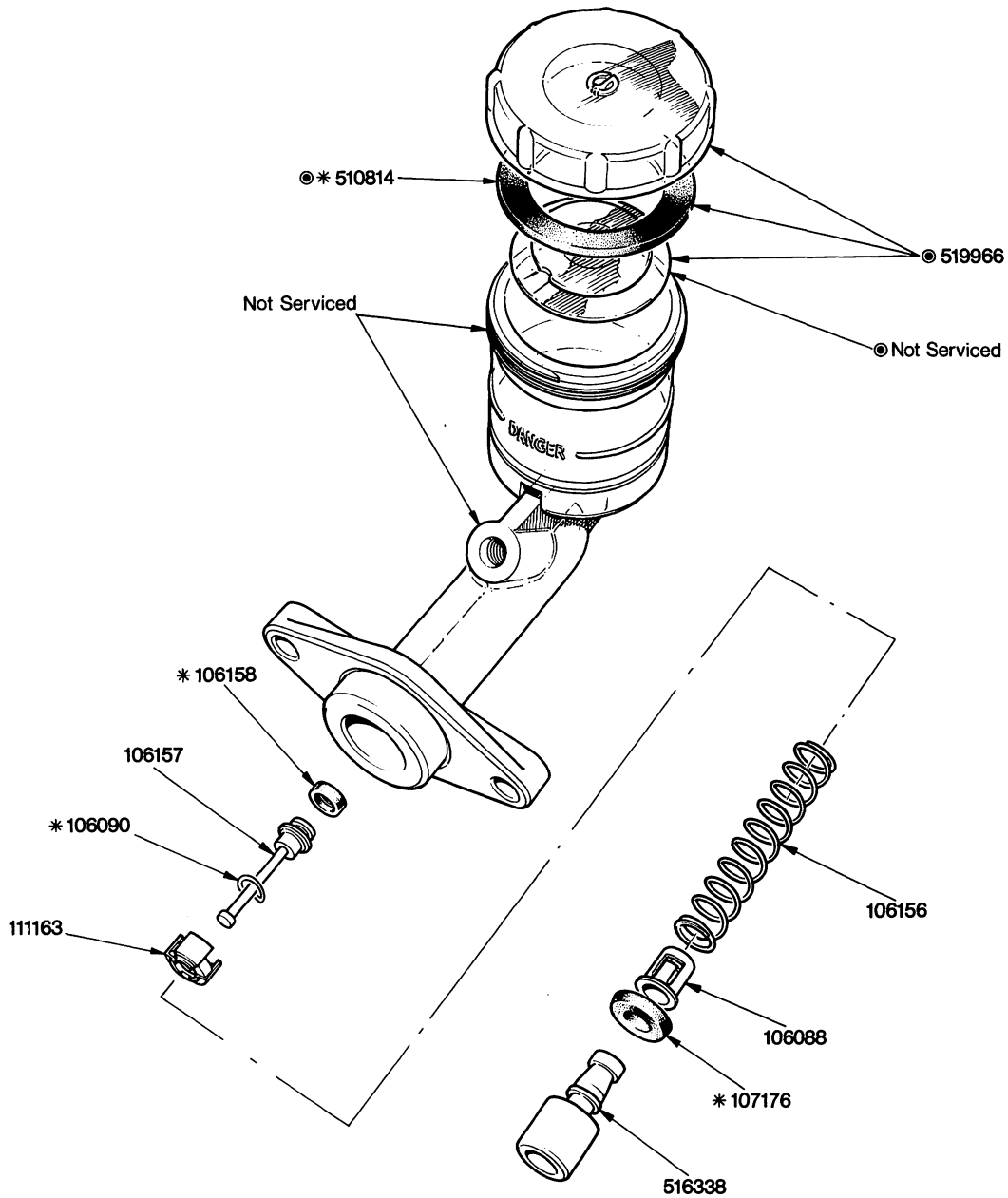
BRAKE MASTER CYLINDER (Non Servo)-Tandem Line System



NOTE

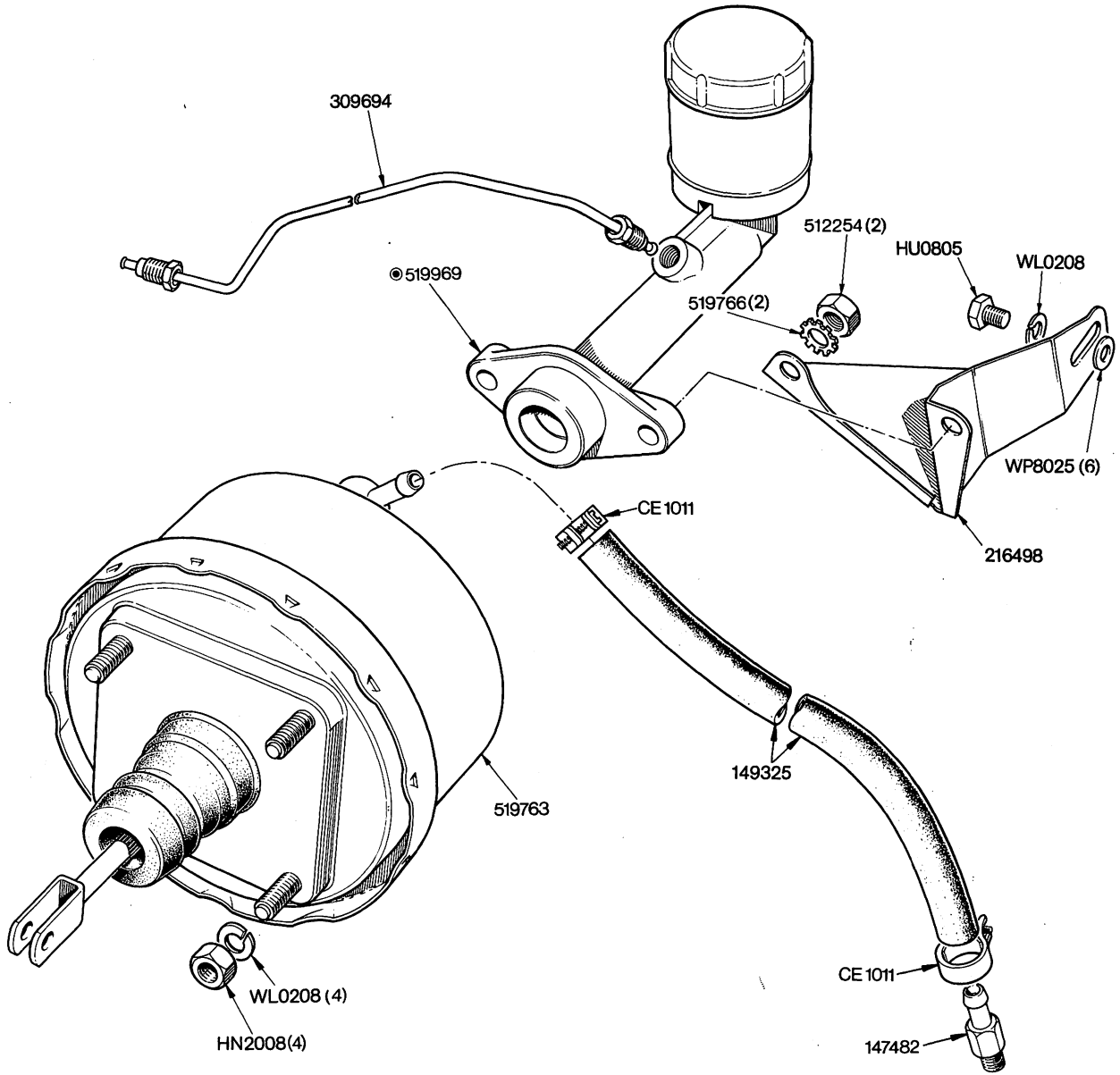
217728 Brake Master Cylinder 1off (Comprising all details on this plate)
 Items indicated * are part of 519768 Reservoir Kit
 521131 Service Kit 1off (Comprising items indicated ●)

BRAKE MASTER CYLINDER (SERVO ASSISTED) – Single Line System.



NOTE
 519969 Brake Master Cylinder. 1 off
 (Comprising all details on this plate.)
 521156 Service Kit. 1 off
 (Comprising items marked *.)
 Items marked © are part of Filler Cap Assembly © 519966.

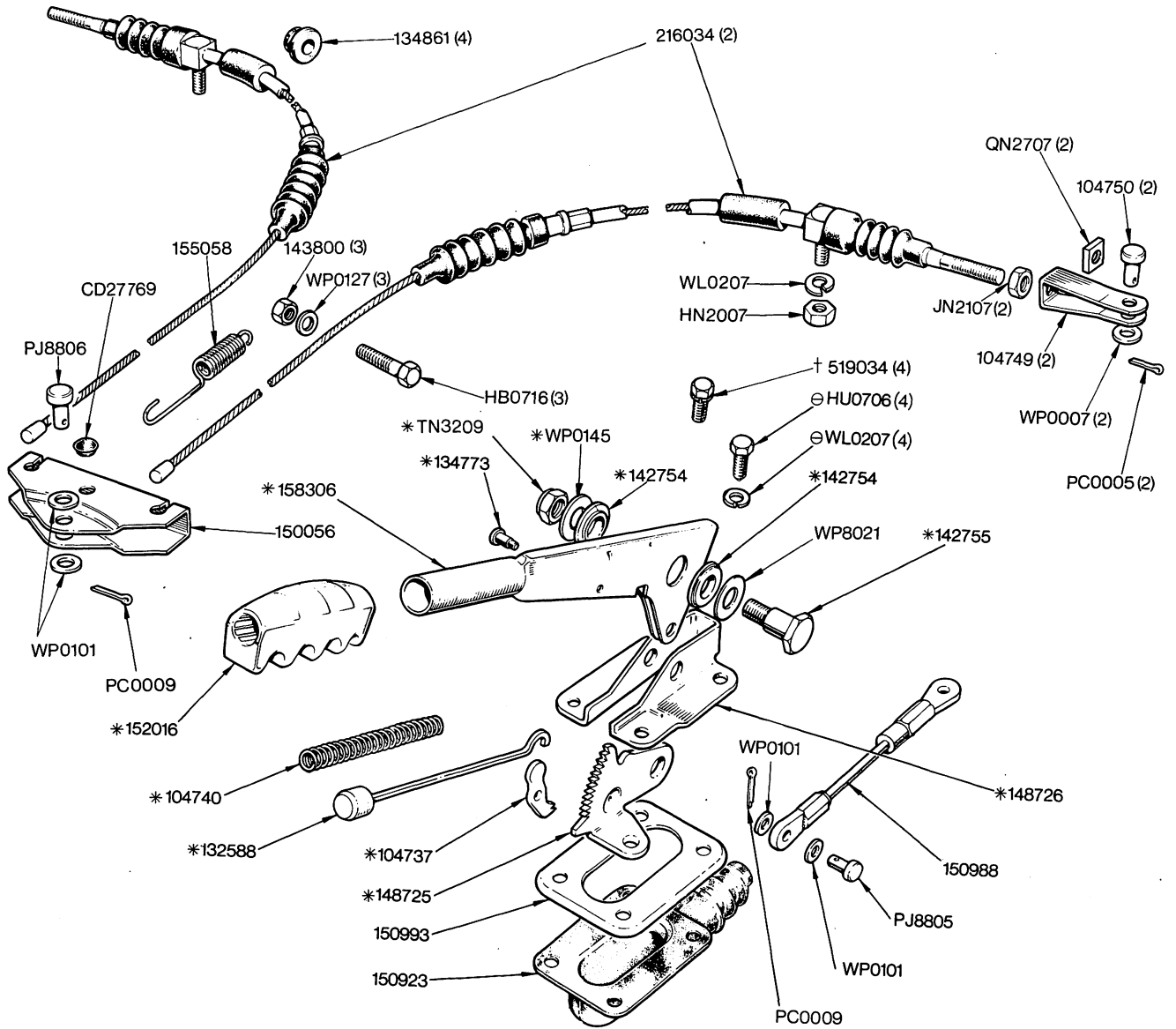
BRAKE SERVO CONVERSION KIT - Single Line System



NOTE

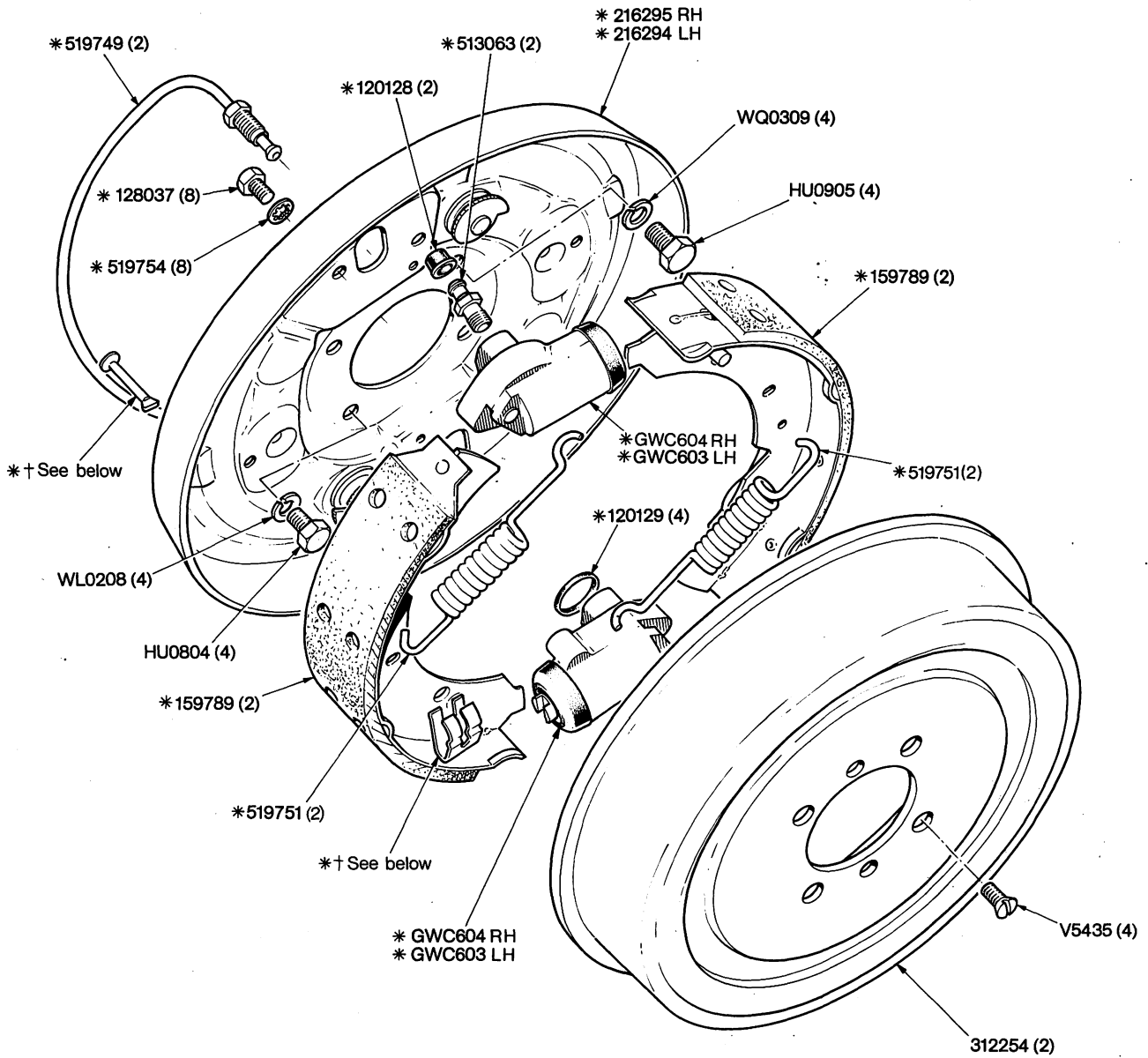
159574 Brake Servo Conversion Kit 1 off
(comprising all details on this Plate)
©For break down details of 519969 see Plate J10

HANDBRAKE



NOTE
 152962 Handbrake Assembly 1off. Comprising items marked thus *
 ⊖ Alternative to items marked thus †
 † Alternative to items marked thus ⊖

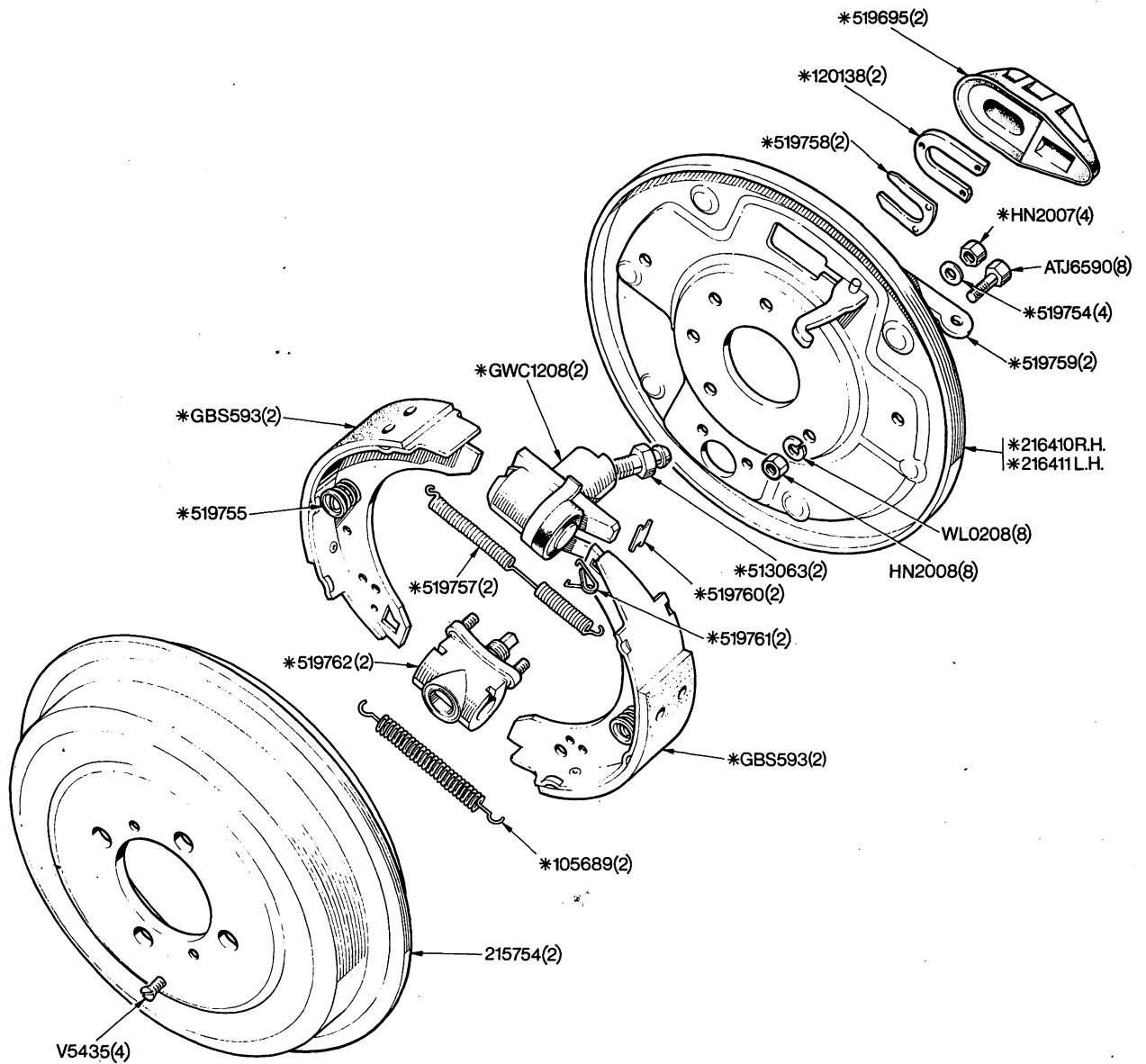
FRONT DRUM BRAKE



NOTE

216297	Front Brake Assembly R.H.	1 off	} (With Don 242 linings marked LK)	} (comprising items marked thus *)
216296	Front Brake assembly L.H.	1 off		
TKC0196	Front Brake Assembly R.H.	1 off	} (With Don 266 linings marked UN. May be used for all replacements if fitted in pairs.)	
TKC0195	Front Brake Assembly L.H.	1 off		
UKC0766	Service Kit (Wheel Cylinder)	1 off		
† 519748	Steady Rest Kit	1 off		

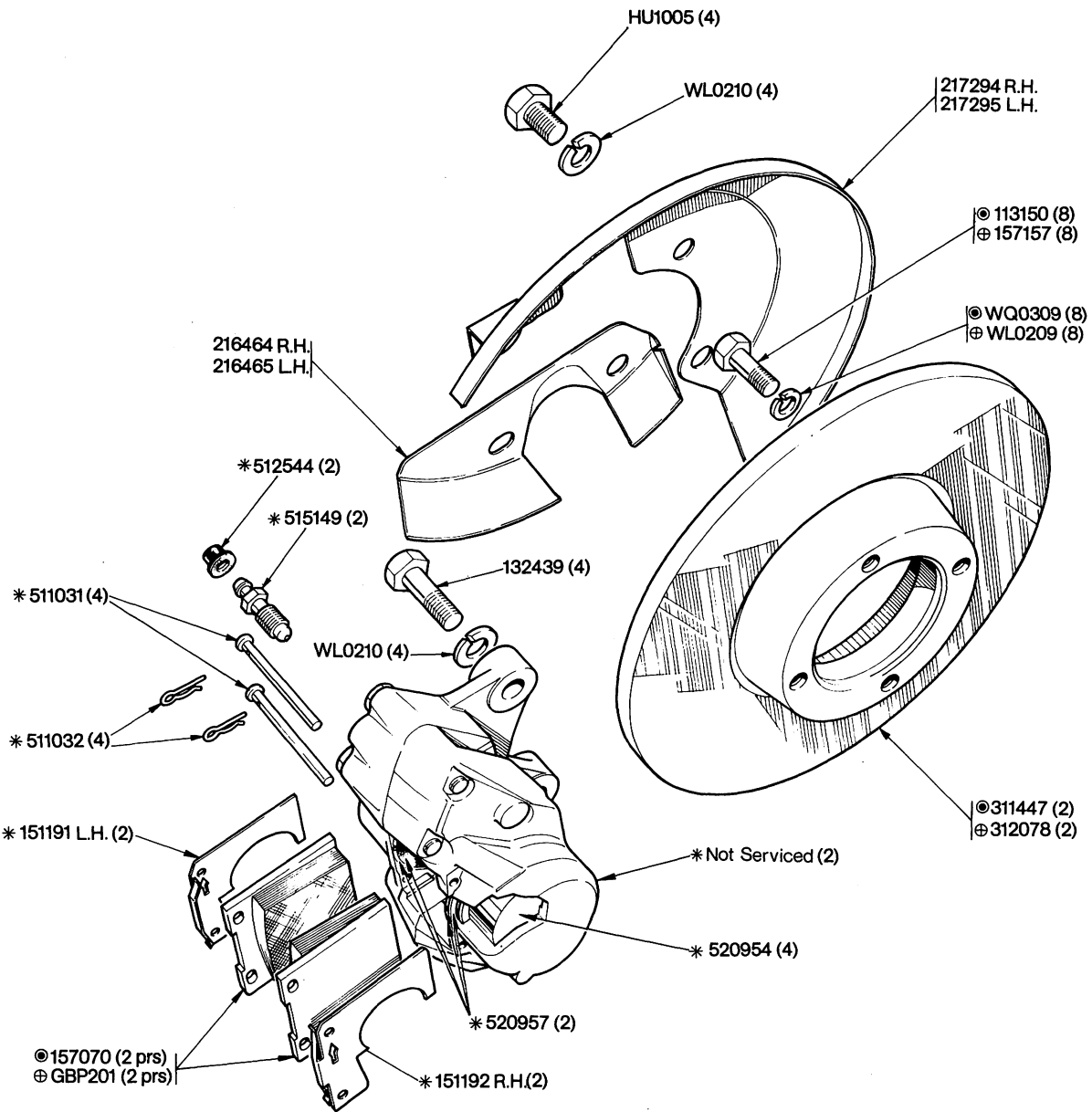
REAR BRAKE- (Manual Adjusting)



NOTE

Above Brakes are fitted on vehicles with Front Drum Brakes (see Plate L1)
 216408 Rear Brake Assembly R.H. 1 off } (comprising items marked thus *)
 216409 Rear Brake Assembly L.H. 1 off }
 507865 Service Kit (Wheel Cylinder) 1 off
 520965 Rear Brake Shoe Lining Pack 1 off

FRONT DISC BRAKE



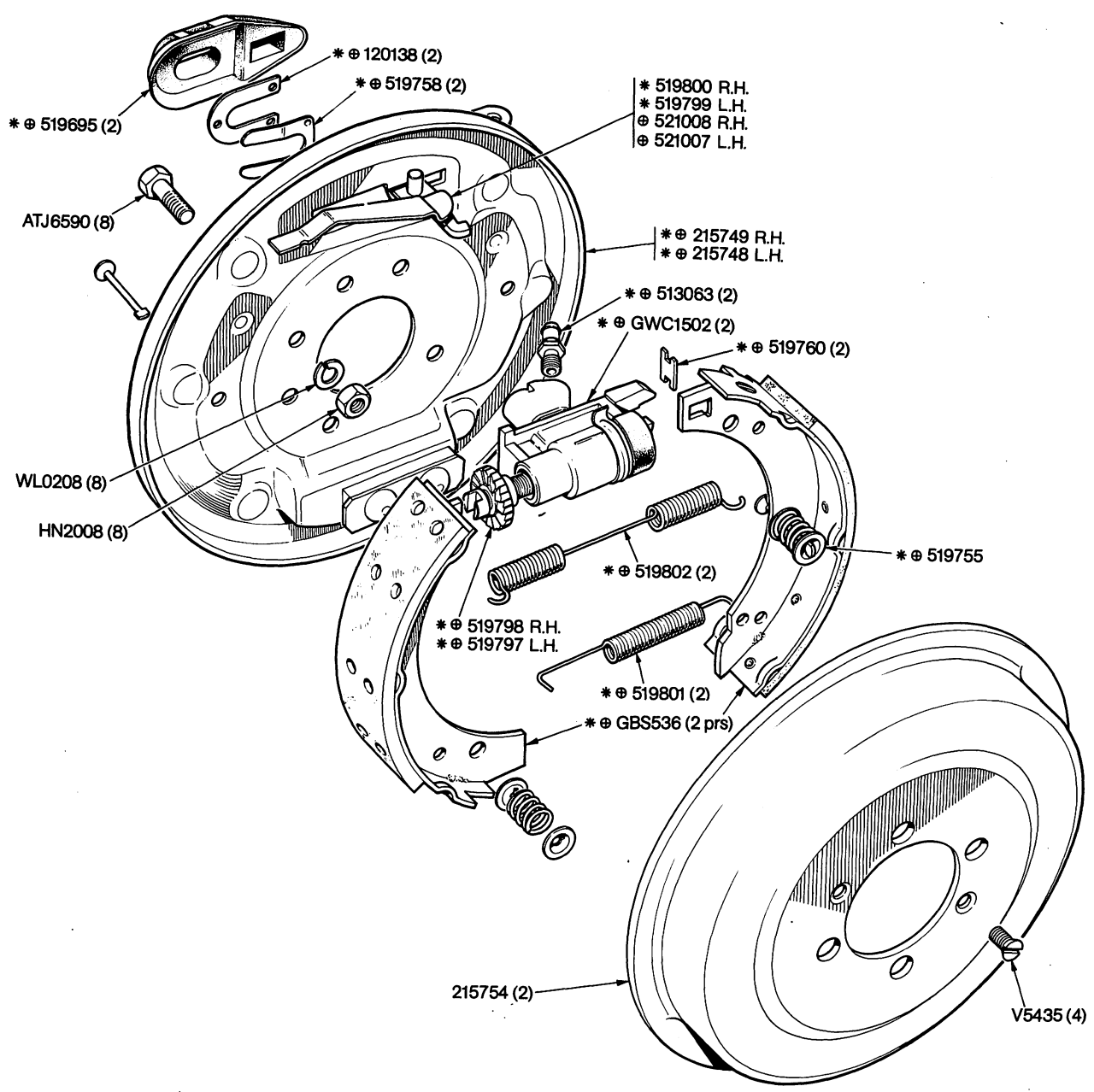
Note

159136 Front Brake Caliper R.H. } (comprising details marked thus *) 1 off
 159137 Front Brake Caliper L.H. } 1 off

⊙ Fitted up to Commission No. ADS603 only

⊕ Fitted from Commission No. ADS604 and future

REAR BRAKE Self Adjusting

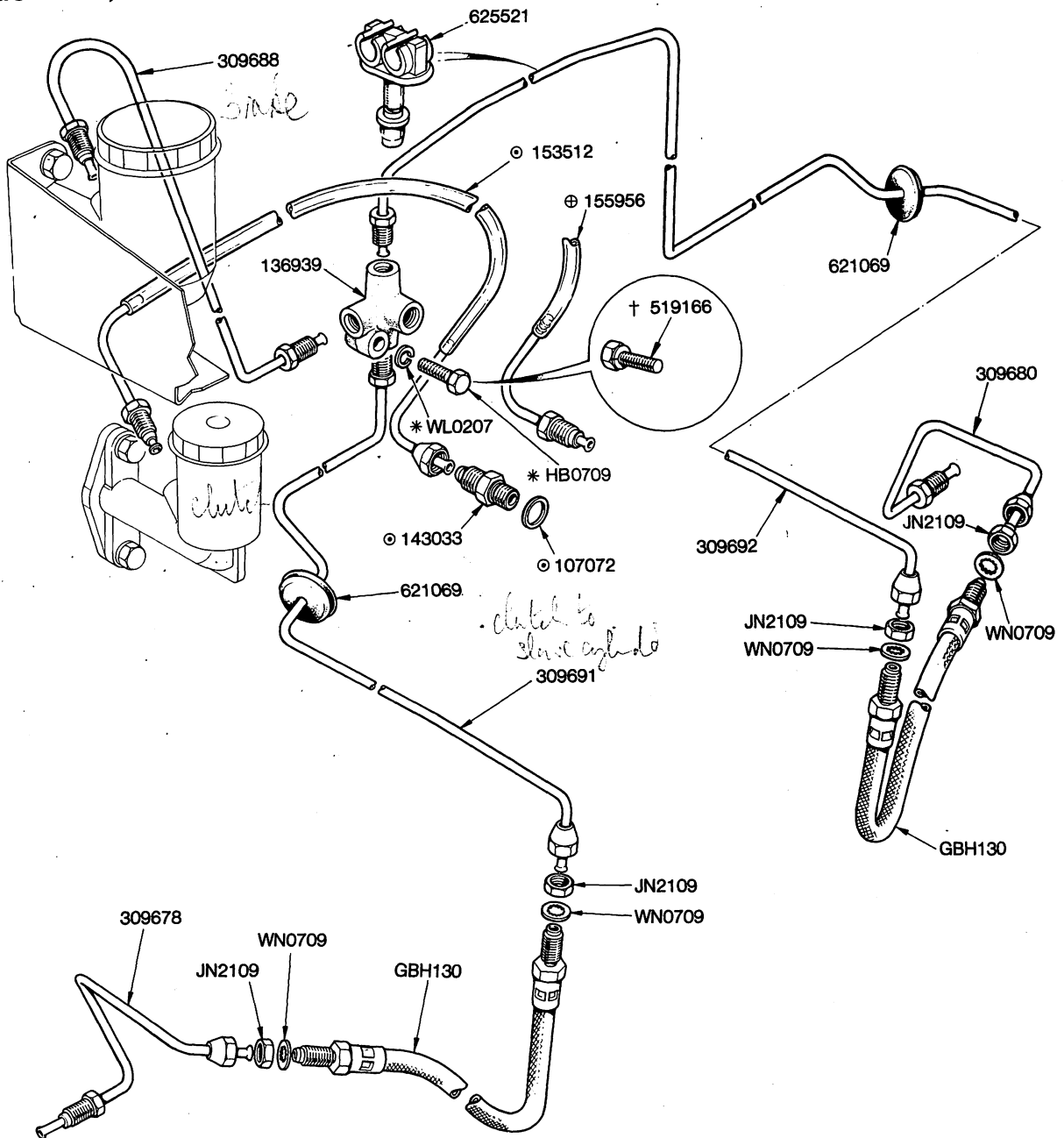


Note:- Above Brakes are fitted on vehicles with Front Disc Brakes (see Plate L3)

UKC0765	Service Kit (Wheel Cylinder)	1 off		
520963	Rear Brake Shoe Lining Pack	1 off		
215782	Rear Brake Assembly R.H.	1 off	} Fitted up to Commission No.	only
215781	Rear Brake Assembly L.H. (comprising items marked thus *)	1 off		
218758	Rear Brake Assembly R.H.	1 off	} Fitted from Commission No.	and future
218757	Rear Brake Assembly L.H. (comprising items marked thus ⊕)	1 off		

TOLEDO PLATE L4 (08-07) B2669

HYDRAULIC PIPES, FRONT-R.H.S.-Single Line System.



NOTE

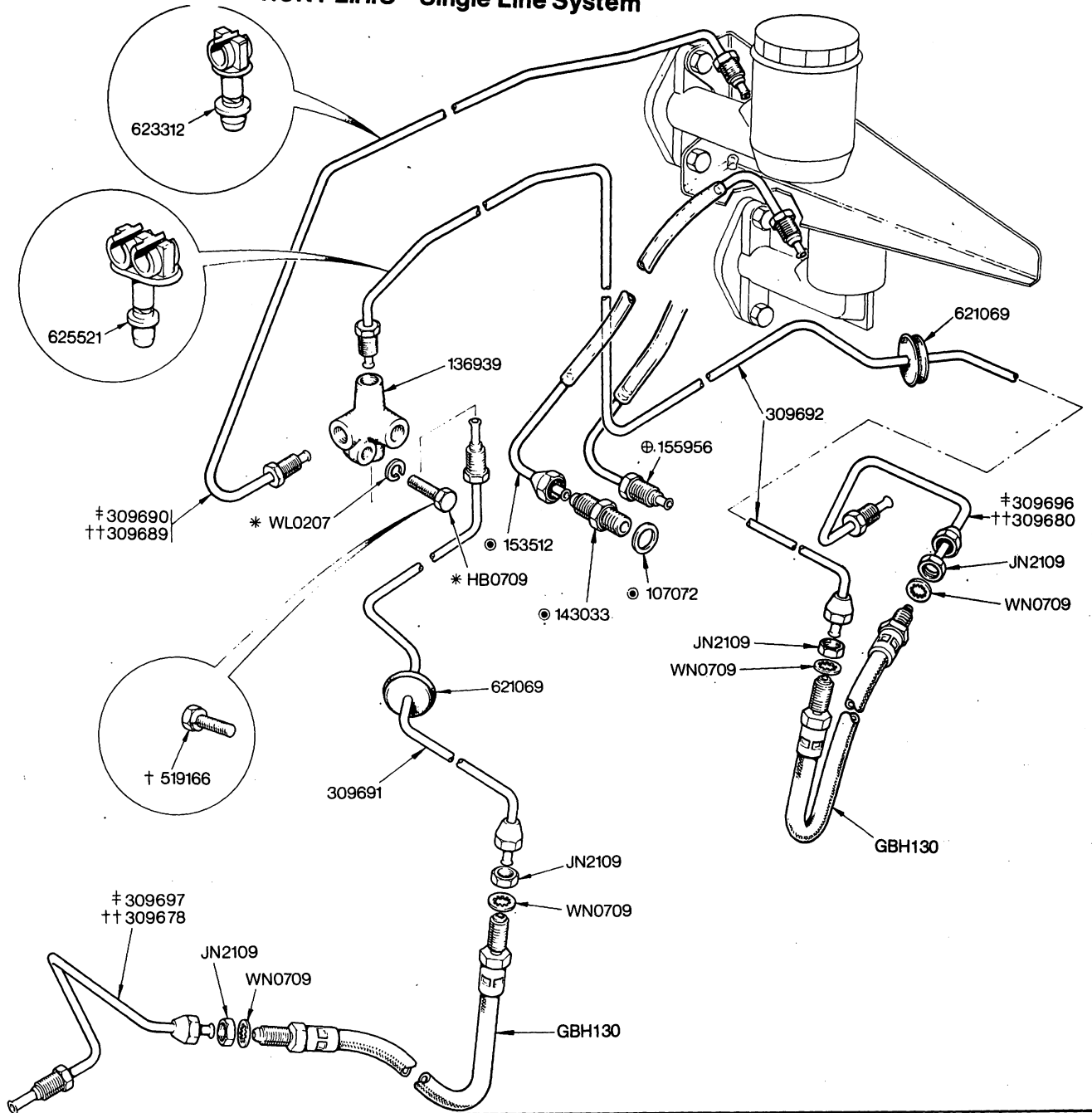
- * Alternative to 519166
- † Alternative to HB0709 and WL0207
- ⊙ Fitted up to Commission No. ADG2183 on 1300cc Vehicles only
- ⊕ Fitted from Commission No. ADG2184 and future on 1300cc Vehicles and on all 1500cc Vehicles

TOLEDO

PLATE M1 (08-08)

B1923/4

HYDRAULIC PIPES - FRONT L.H.S - Single Line System

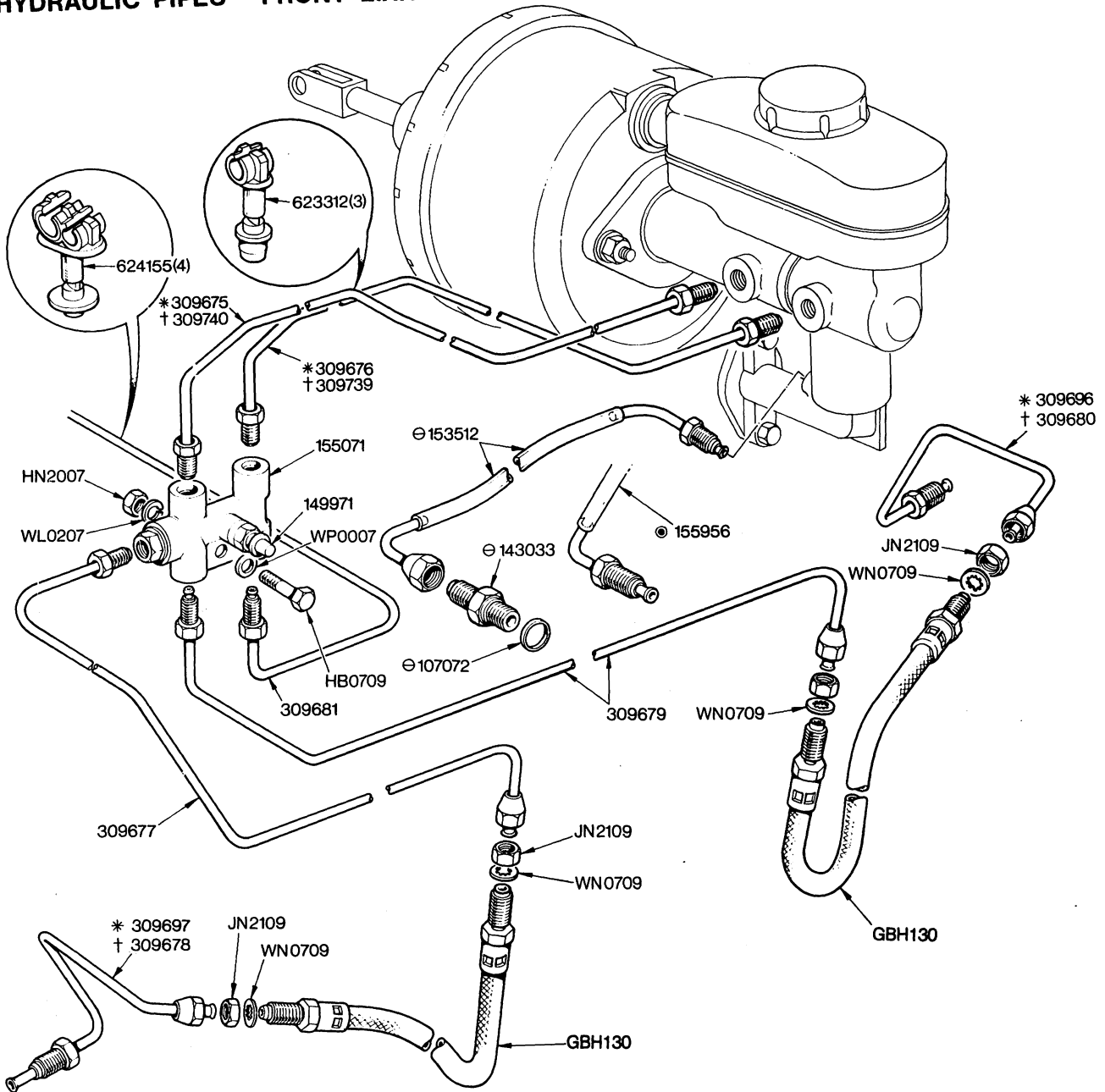


NOTE

- * Alternative to 519166
- † Alternative to HB0709 and WL0207
- © Fitted up to Commission No. ADG2183 on 1300cc Vehicles only
- ⊕ Fitted from Commission No. ADG2184 and future on 1300cc Vehicles and on all 1500cc
- †† Drum Brakes only
- ‡ Disc Brakes, Twin Carb Four Door model only

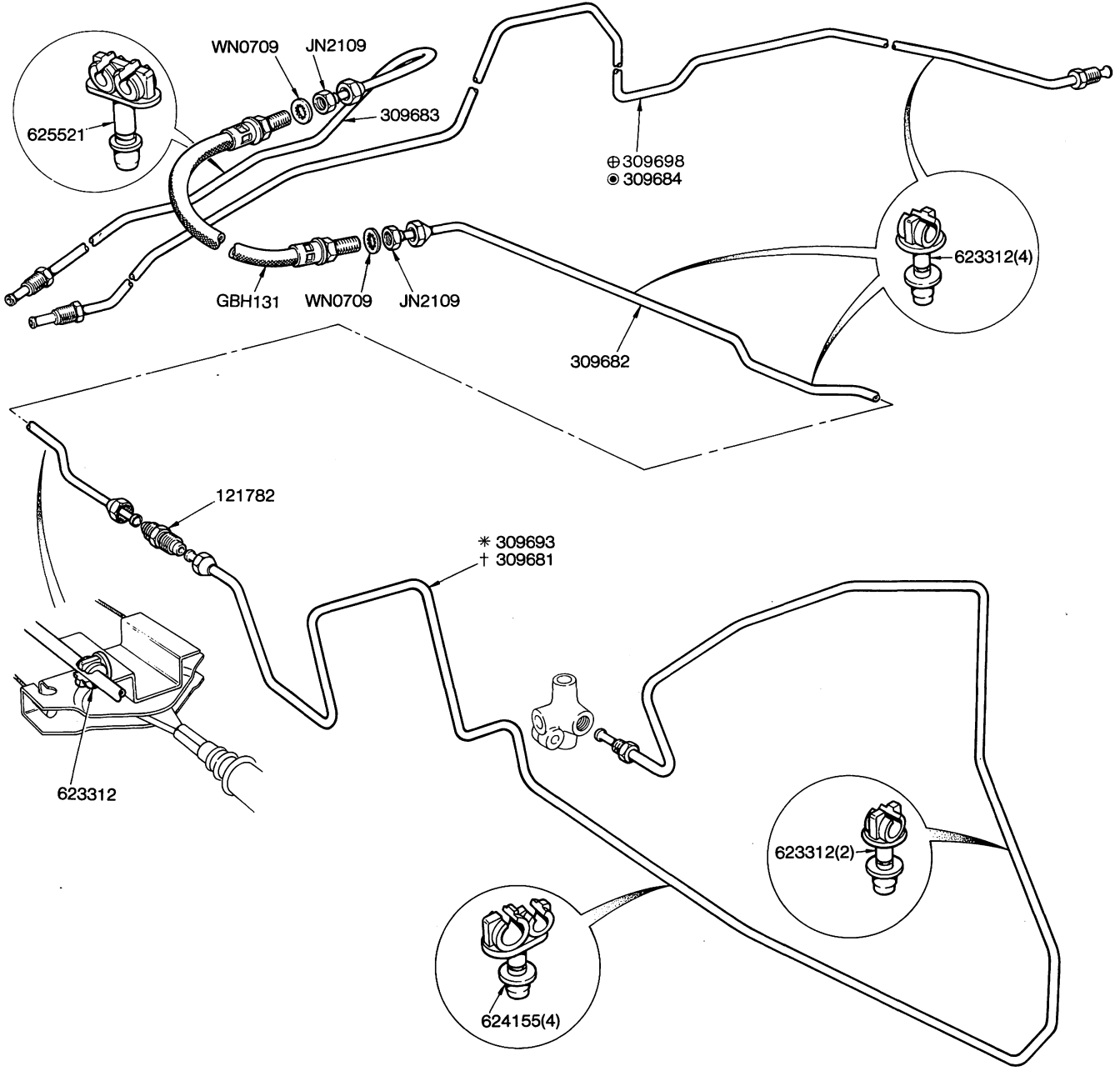
TOLEDO **PLATE M2 (08-09)** **B1924/4**

HYDRAULIC PIPES - FRONT L.H.S. - Tandem Line System



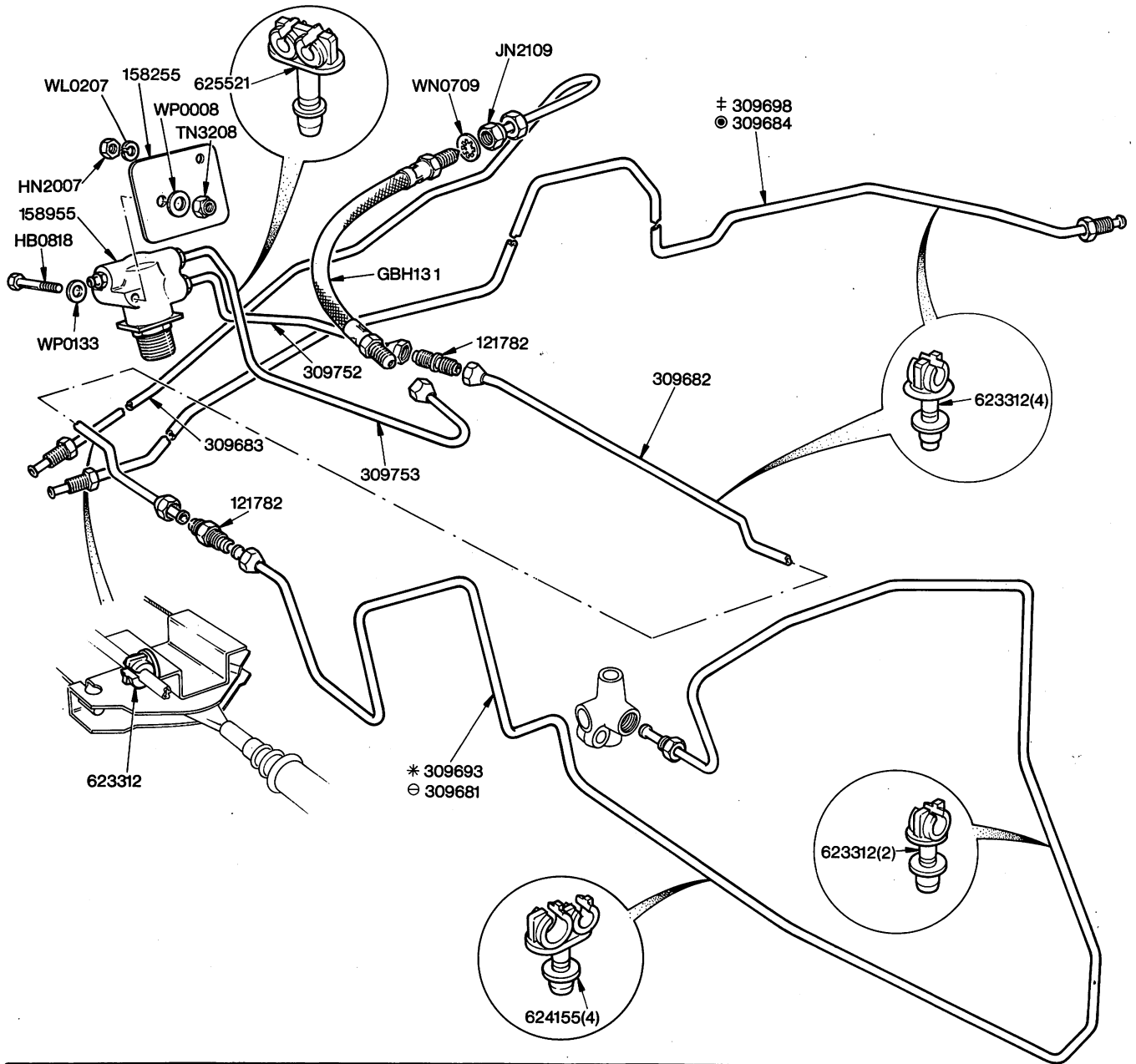
NOTE
 † Drum Brakes only
 * Disc Brakes only
 ⊖ Fitted up to Commission No. ADG2183 only on 1300cc vehicles.
 ⊙ Fitted from Commission No. ADG2184 and future on 1300cc vehicles.
 and on all 1500cc vehicles.

HYDRAULIC PIPES – Rear (All markets except Denmark)



NOTE
 * Single Braking System only
 † Tandem Braking System only.
 ⊙ Front Drum Brake Vehicles
 ⊕ Front Disc Brake Vehicles
 See Plate M5 for details for Denmark

HYDRAULIC PIPES—Rear (Denmark Only)



NOTE

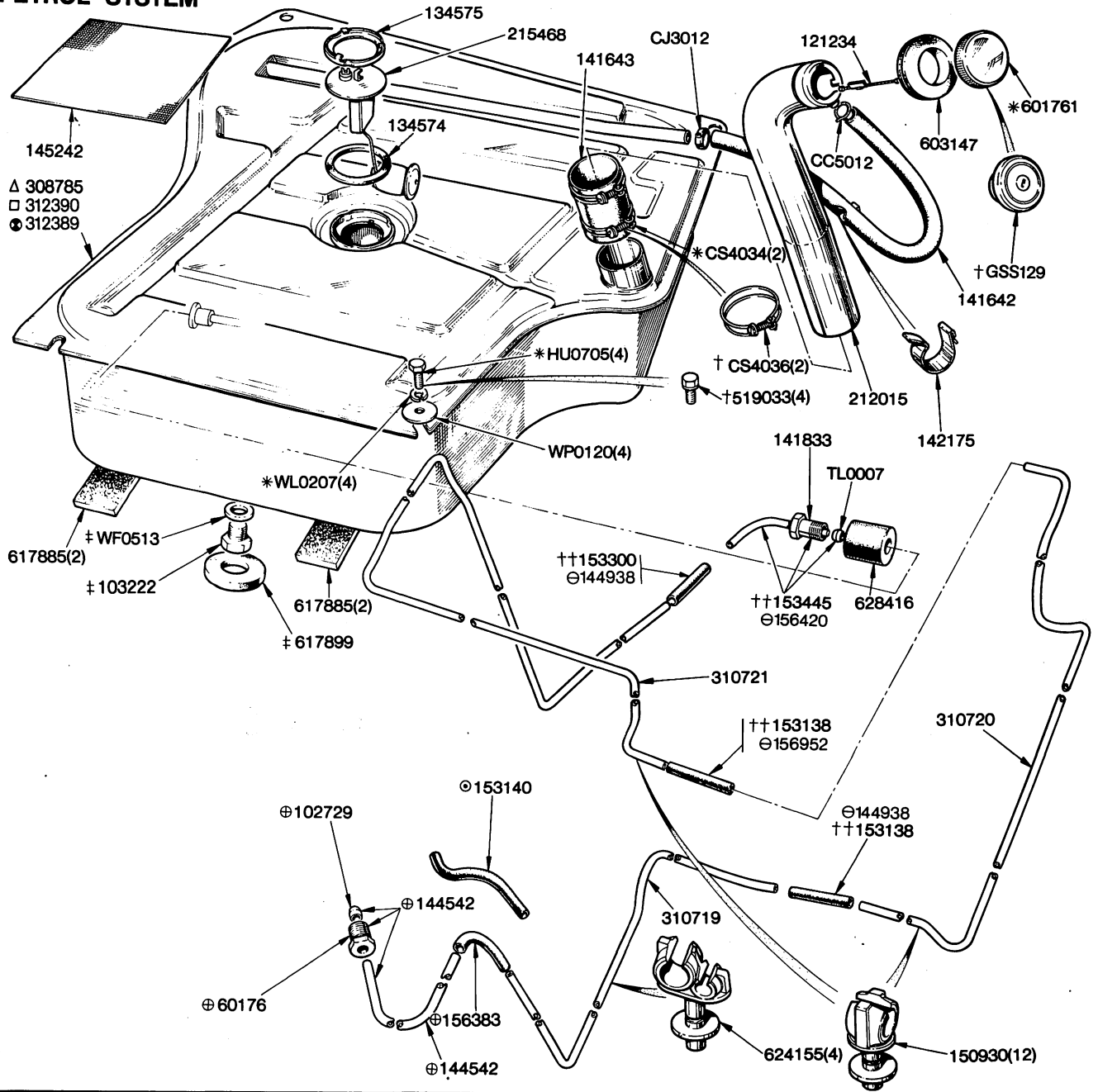
- * Single Braking System only
- ⊖ Tandem Braking System only
- ⊙ Front Drum Brake Vehicles
- ‡ Front Disc Brake Vehicles

TOLEDO

PLATEM5(08-12)

B2513/2

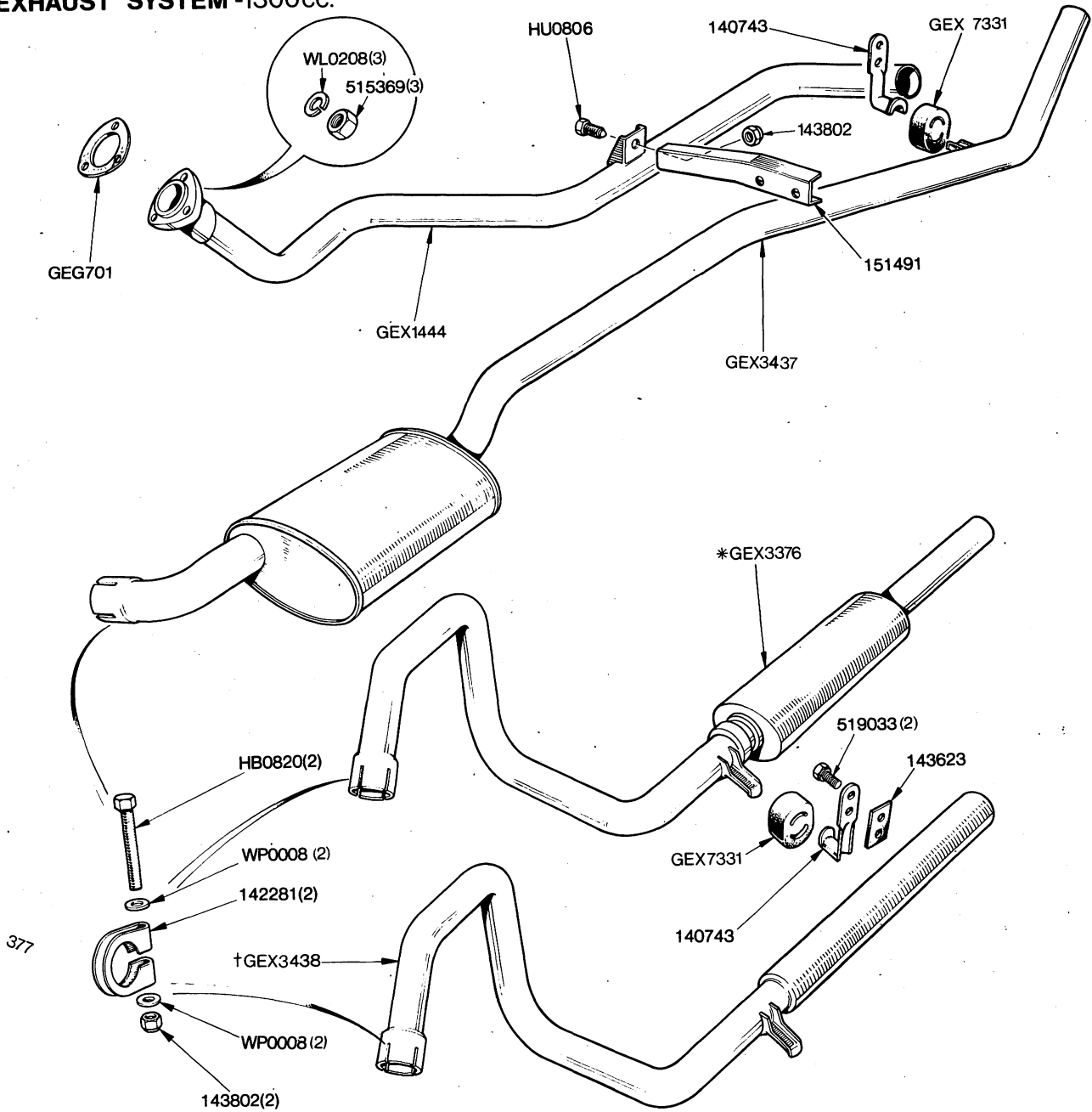
PETROL SYSTEM



NOTE:-

- Details marked thus † are alternative fitment to details marked *
- Detail marked thus Θ is only required when single Carburettor is fitted
- Details marked thus ⊕ are only required when Twin Carburettors are fitted
- †† Fitted up to Trimmed Body No. T2796 DG only
- Θ Fitted from Trimmed Body No. T2797 DG and future
(Latest condition if used in sets can be used for all replacements)
- Δ Fitted up to Trim Body No T18780DG (2 Door), T3661DK (4 Door) only
- Fitted from Trim Body No T18781DG (2 Door), T3662DK (4 Door) and future
- Germany only
- ‡ not required when 312390 Tank is fitted

EXHAUST SYSTEM -1300cc.

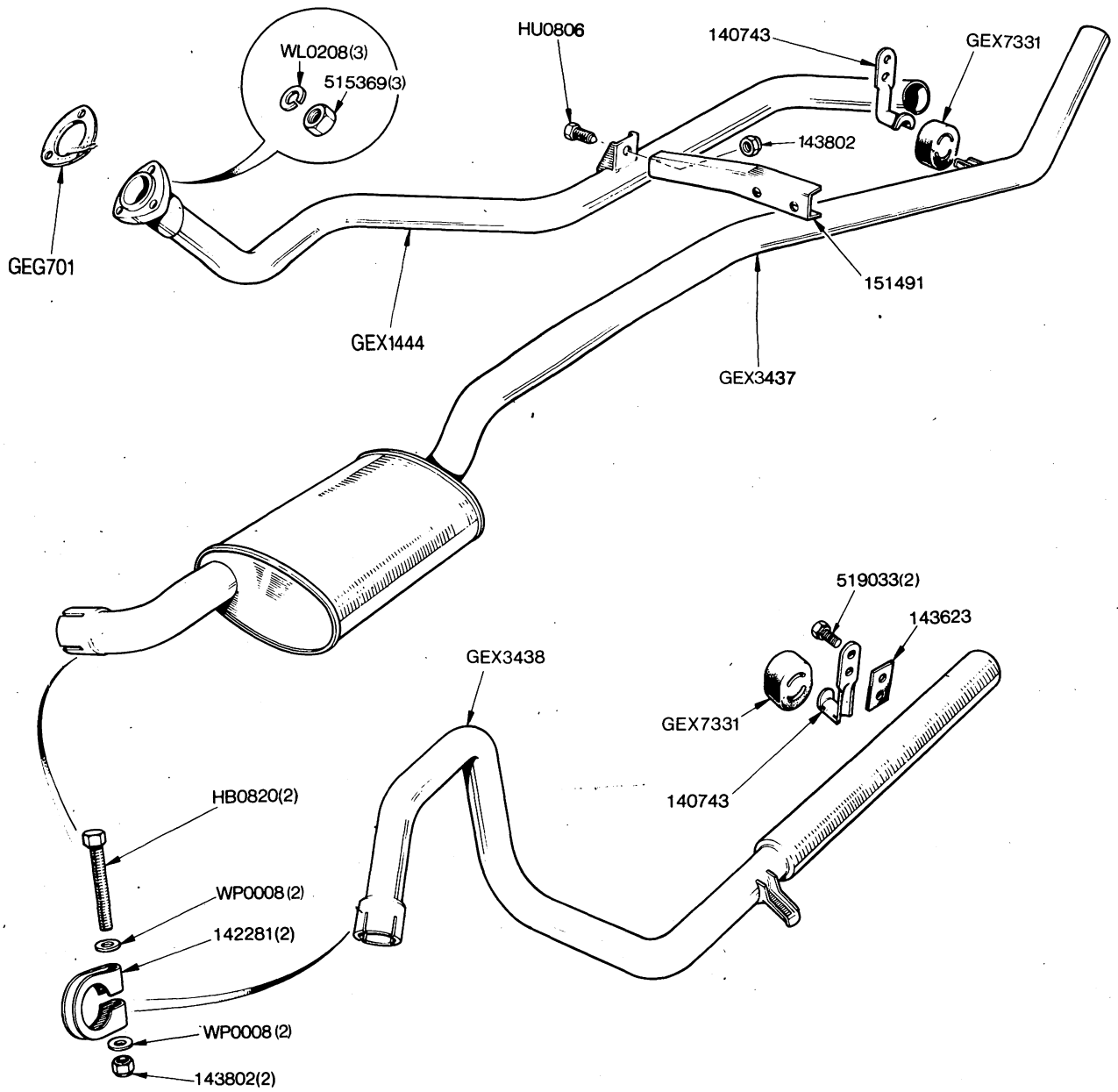


NOTE
 * Fitted up to Commission No. ADG3879 only
 † Fitted from Commission No. ADG3880 and future
 Items marked thus † may be used for all replacements

The details on this Plate are fitted on 1300cc. vehicles only
 (See Plate P2,P3 for 1500cc. models)

18282-20 *

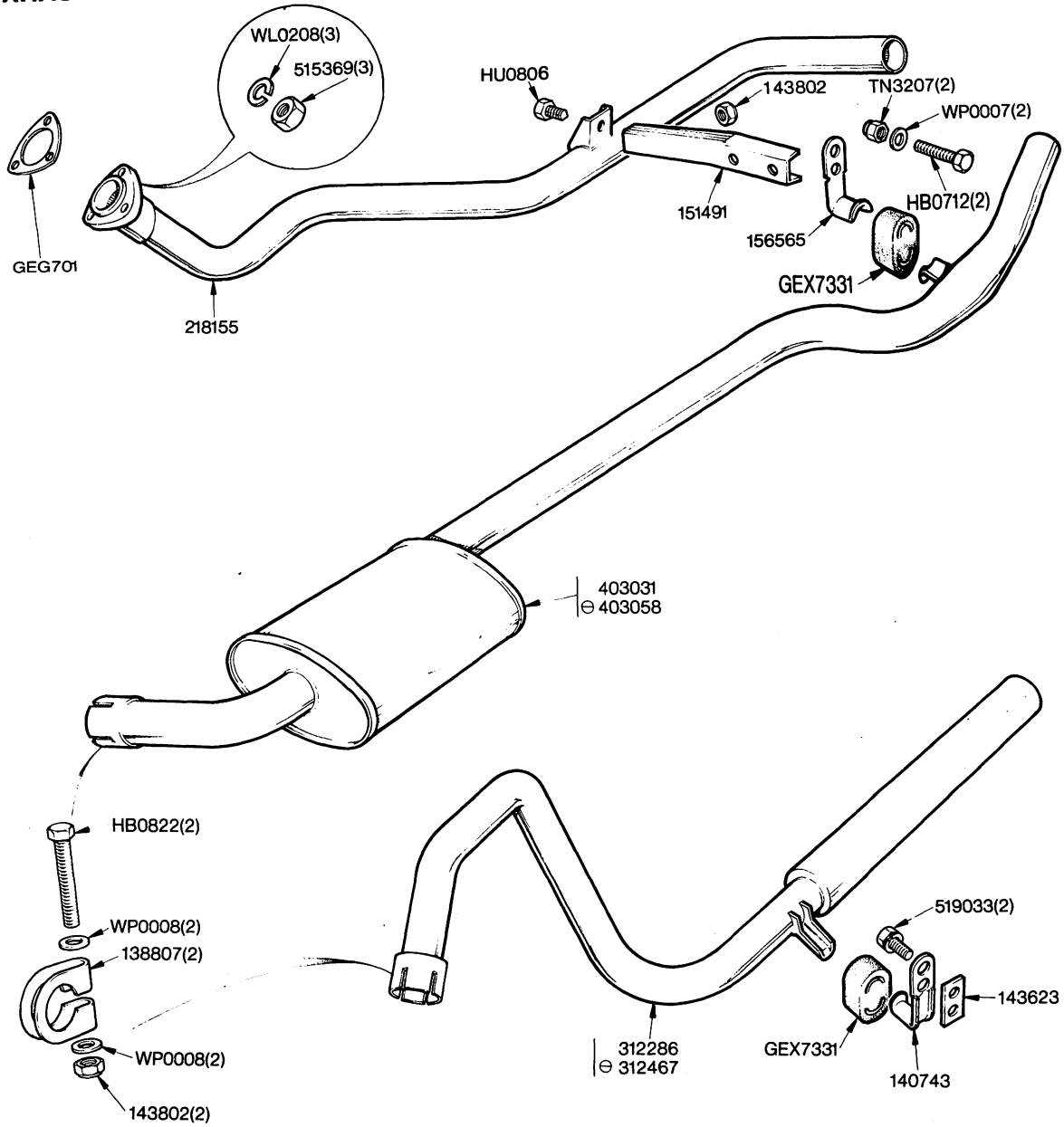
EXHAUST SYSTEM -1500cc.



NOTE

The details on this Plate are fitted up to Commission No. ADM5000 (Single Carb) ADS5145 (Twin Carb) only
(See Plate P3 for future)

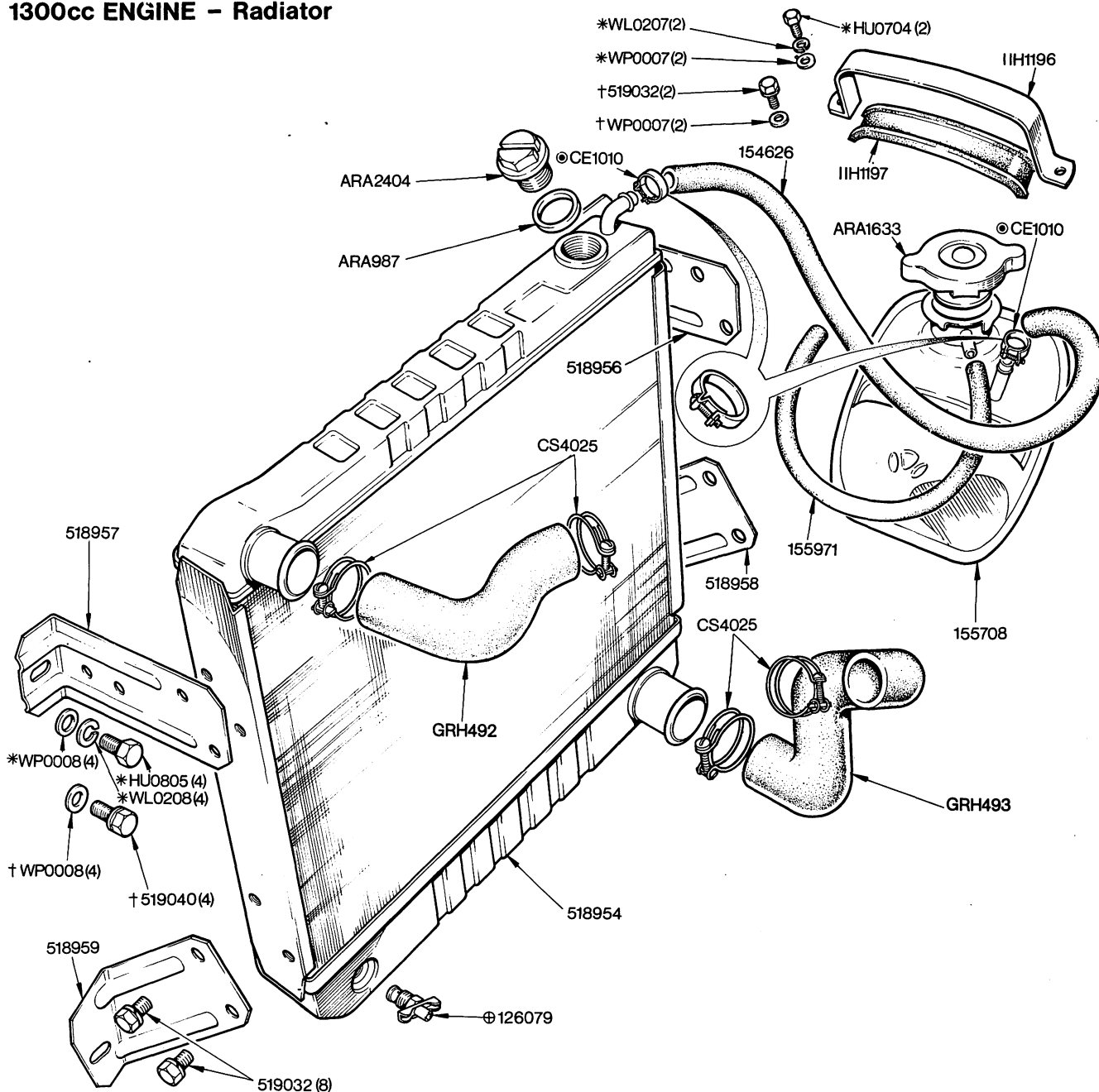
EXHAUST SYSTEM 1500cc



NOTES

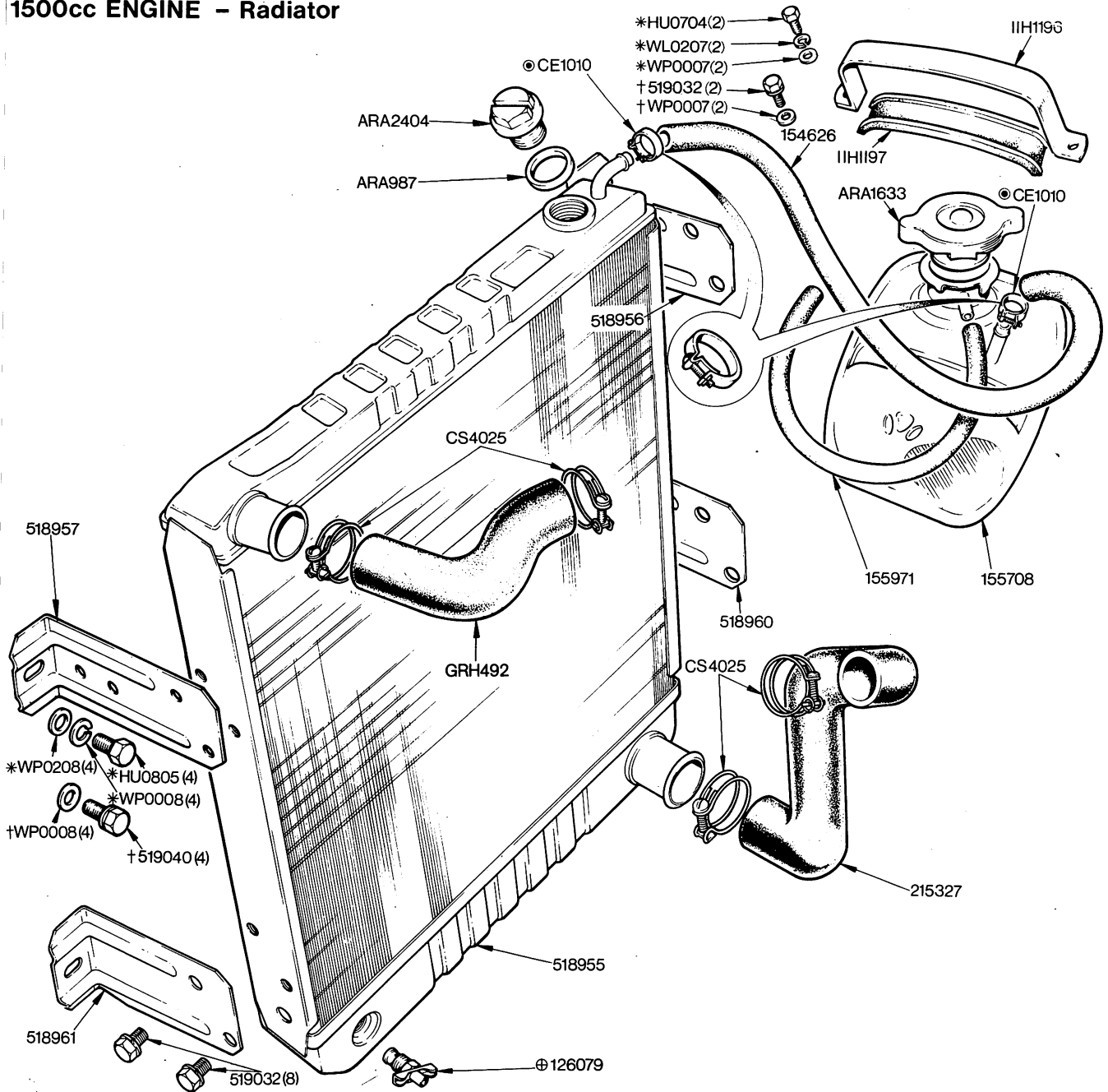
The details on this Plate are fitted from Commission No ADM5001 (Single Carb) ADS 5146 (Twin Carb) and future
 (See Plate P2 for previous)
 ⊖ France only

1300cc ENGINE - Radiator



NOTE
 * Alternative in sets to items marked thus †
 † Alternative in sets to items marked thus *
 ©CE1011 (Alternative fitment to CE1010)
 ⊕ Fitted up to Commission No ADG26431, ADF31342 only

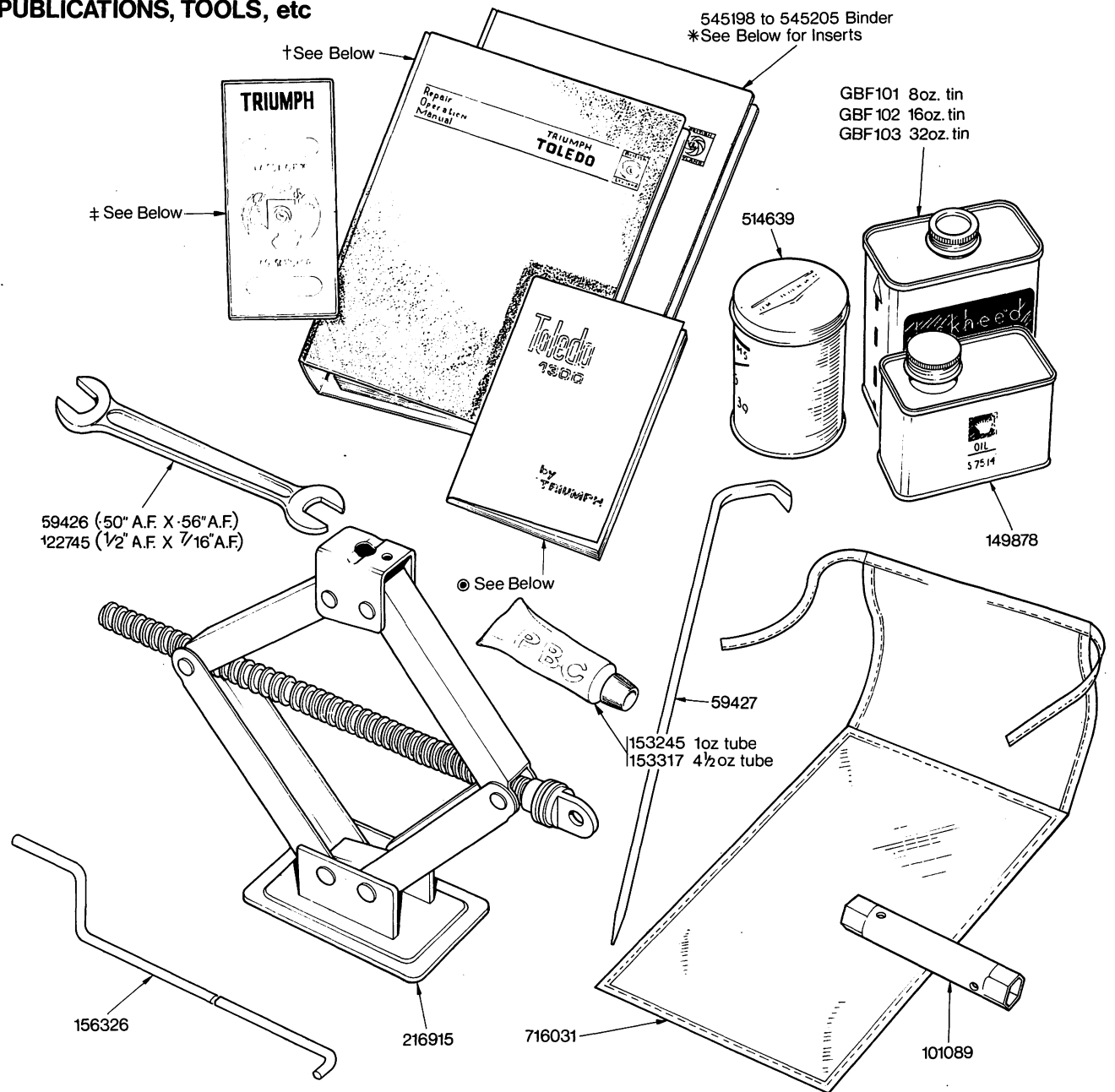
1500cc ENGINE - Radiator



NOTE

- * Alternative in sets to items marked thus †
- † Alternative in sets to items marked thus *
- o CE1011 (Alternative fitment to CE1010)
- ⊕ Fitted up to Commission No only

PUBLICATIONS, TOOLS, etc



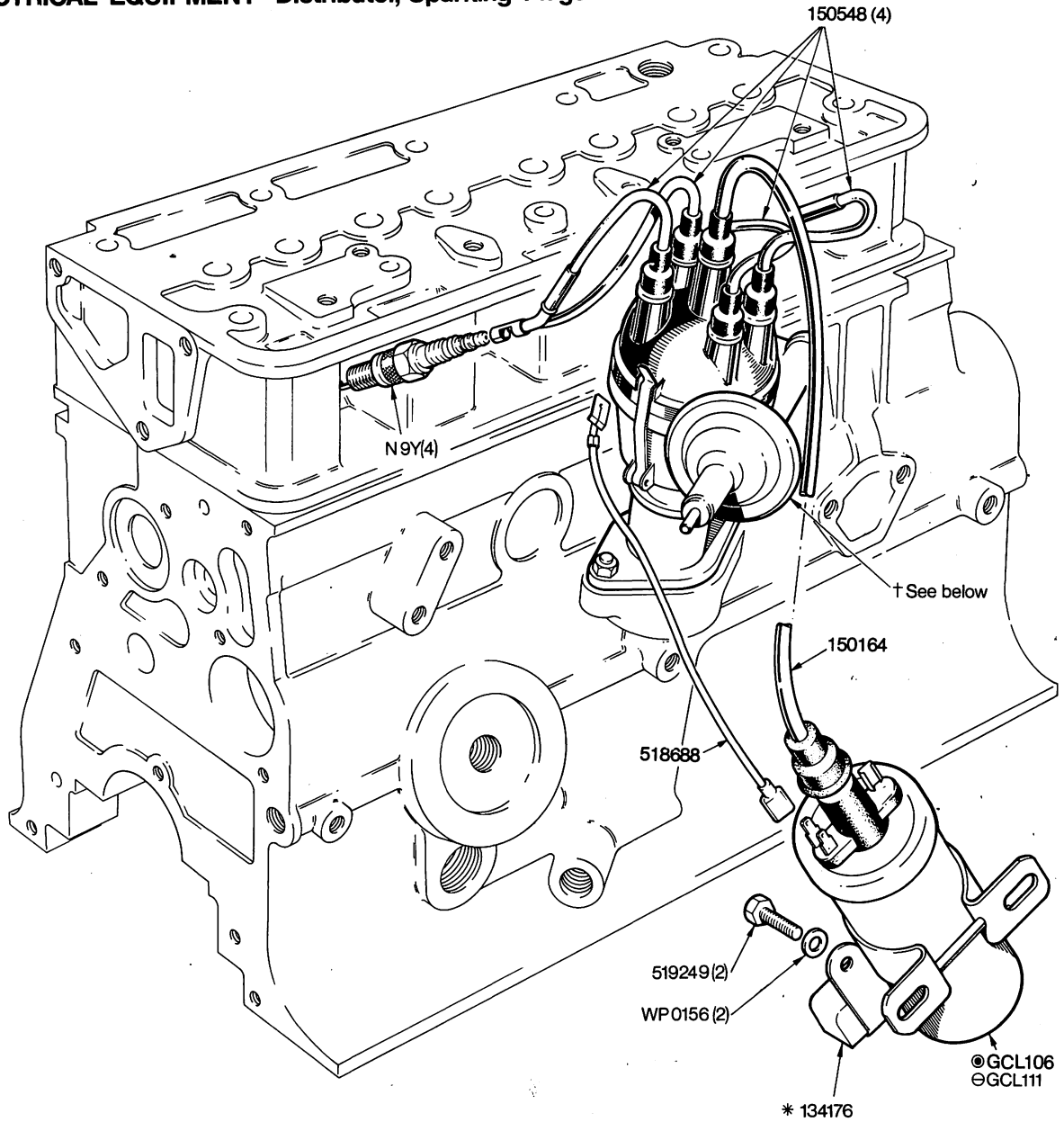
NOTE			
† Workshop Manual	© Drivers Handbook	‡ Passport to Service	* Repair Time Inserts
545168 English Edition	545116 English Edition (1300c.c.)	545232 English (Home) Edition	545198B English Edition
545169 French "	545140 English " (1500c.c.)	545231 English (Continental) "	545199B French "
545170 German "	545120 French " (1500cc)	545224 French Edition	545200B German "
545171 Italian "	545121 German " "	545225 German "	545201B Italian "
545172 Dutch "	545179 Italian "	545226 Dutch "	545202B Dutch "
545173 Swedish "	545180 Dutch "	545227 Danish "	545203B Swedish "
545174 Spanish "	545181 Danish "	545228 Italian "	545204B Danish "
545197 Danish "	545182 Swedish "	545229 Portuguese "	545205B Spanish "
	545183 Finnish "	545230 Swedish "	545269B Portuguese "
	545184 Spanish "	545235 Spanish "	
	545185 Portuguese "	545236 Norwegian "	
		545237 Finnish "	

TOLEDO

PLATE R1 (08-19)

B1988/4

ELECTRICAL EQUIPMENT—Distributor, Sparking Plugs and Leads.



NOTE

* Not required when pre-engaged Starter Motor is fitted

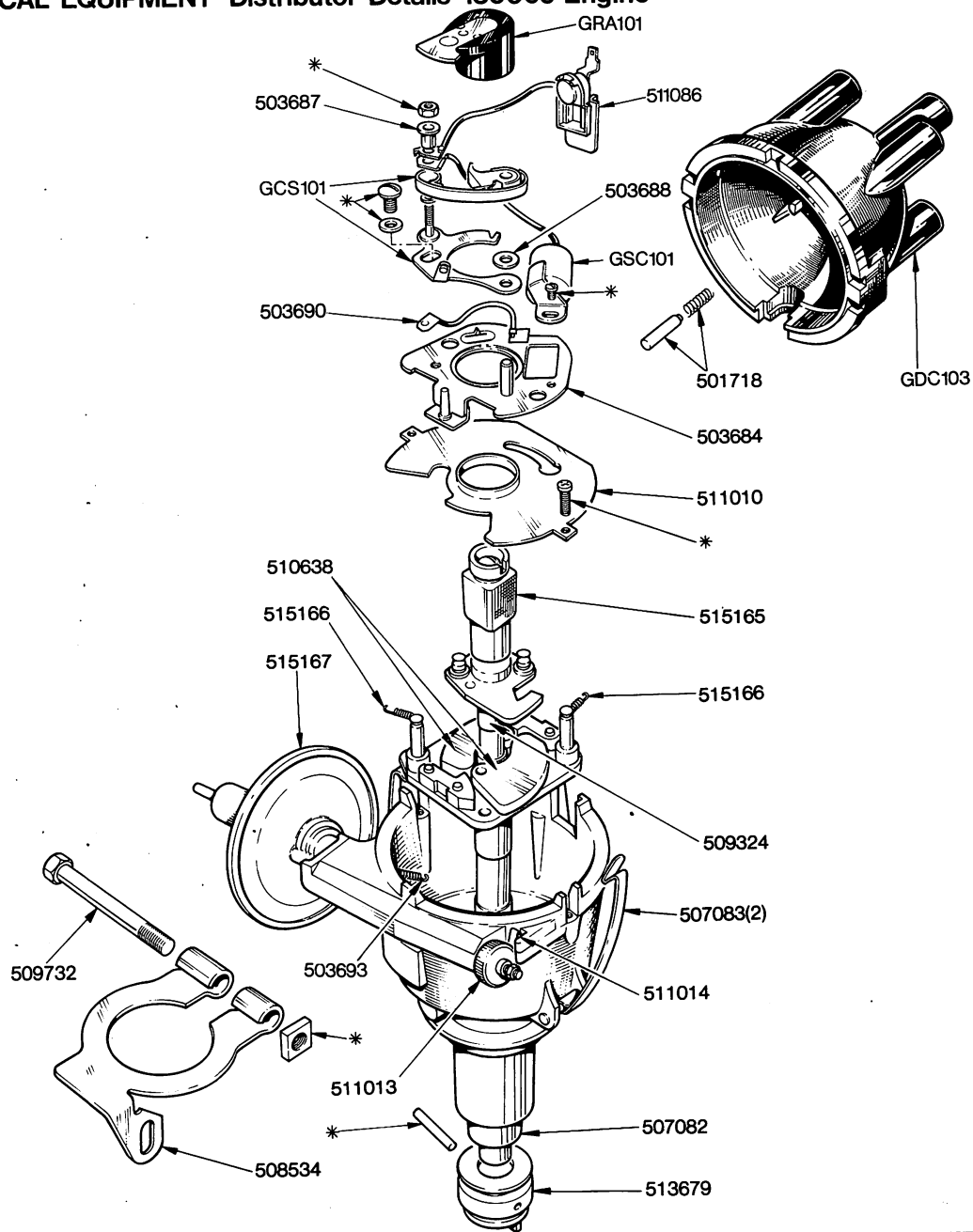
† For details of Distributor see Plates S2 to S4A

517355 Ignition Lead Kit 1 off (Comprising 4 Plug Leads and Coil to Distributor Lead)

⊖ A.C. Delco type

⊙ Lucas type

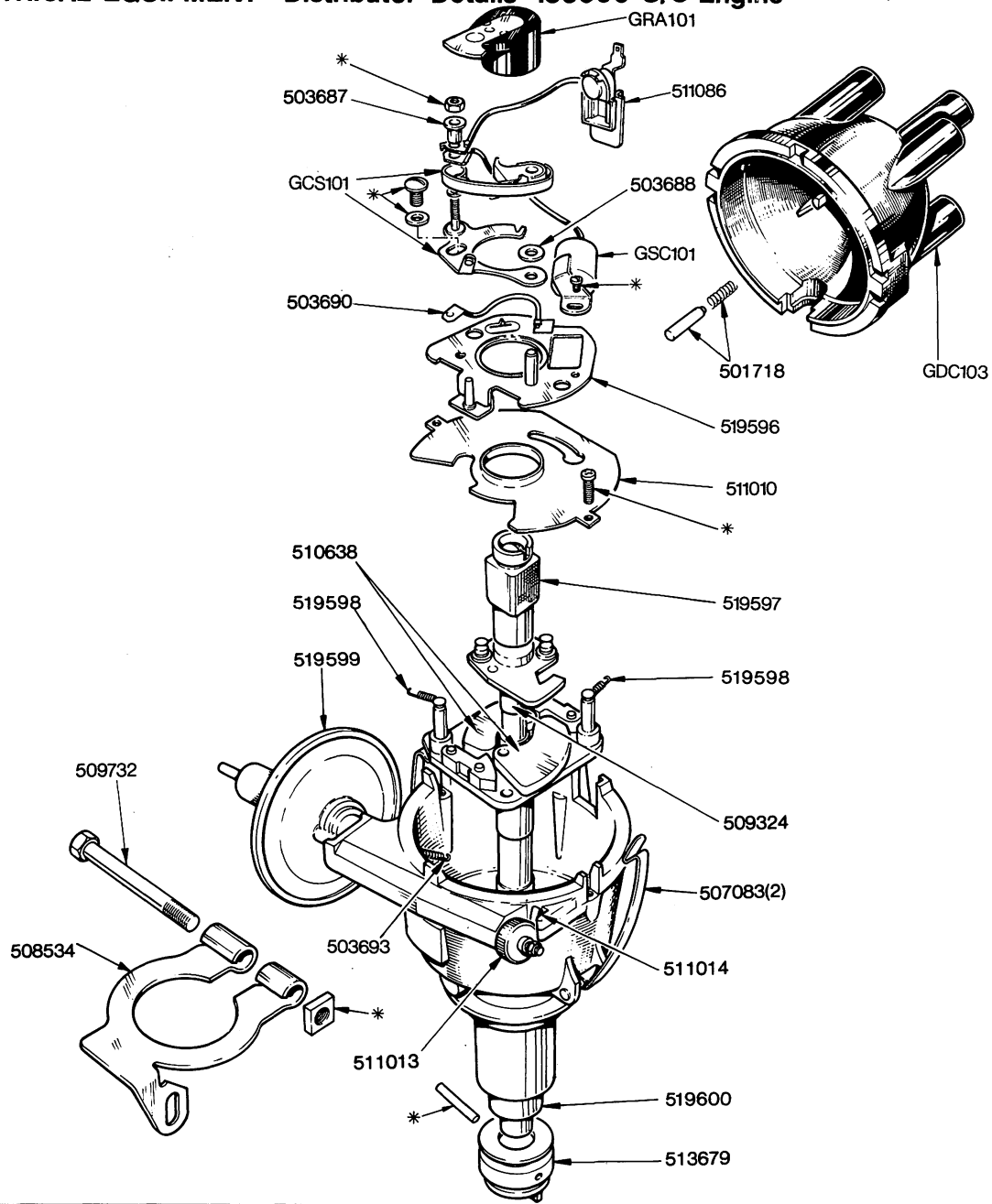
ELECTRICAL EQUIPMENT—Distributor Details 1300cc Engine



NOTE

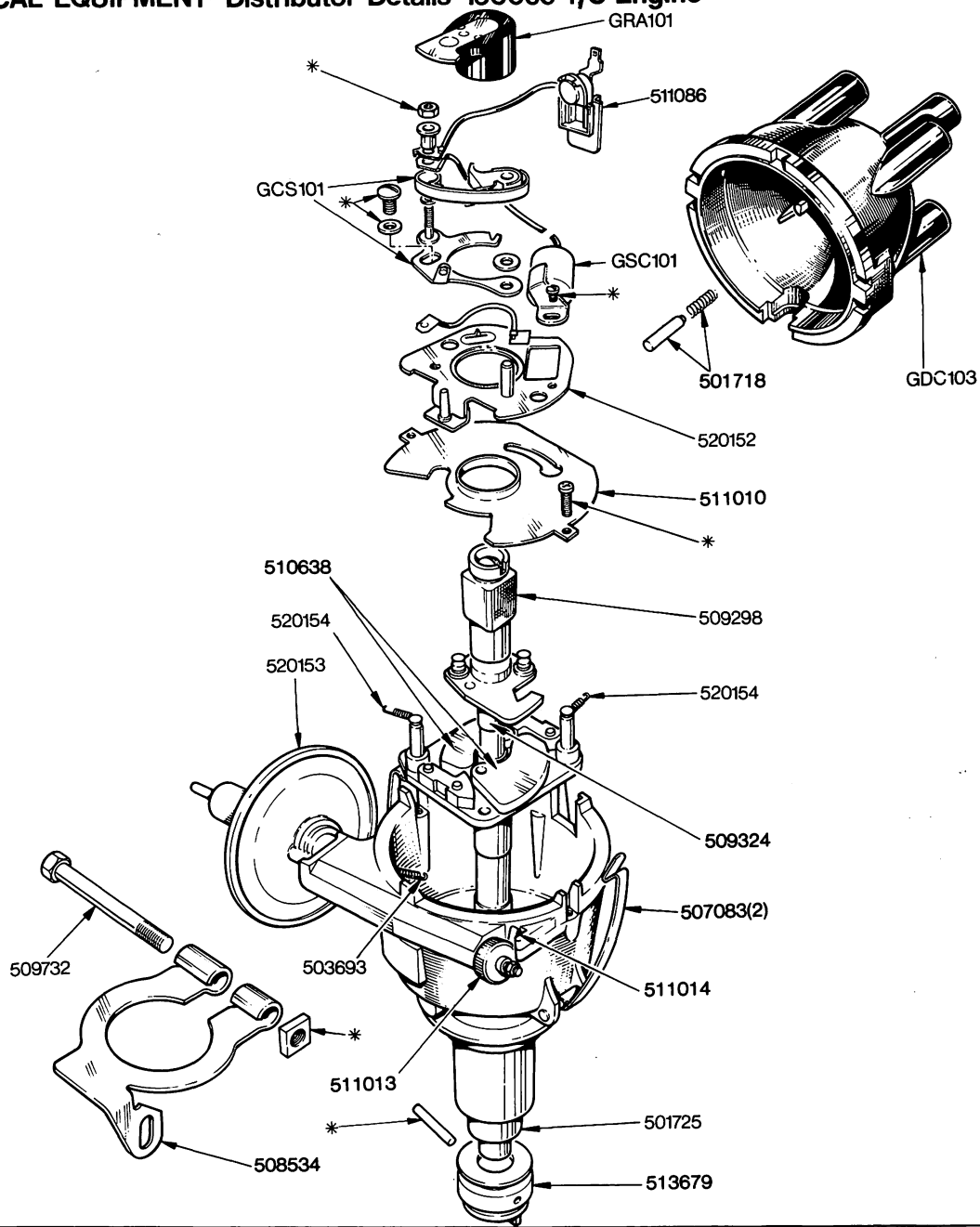
212292 Distributor Assembly 1 off
 Items marked thus * are part of Sundry Parts Kit 501728
 The details on this Plate are fitted up to Engine No DG25000E only
 (See Plate S4a for future)

ELECTRICAL EQUIPMENT - Distributor Details-1500cc S/C Engine



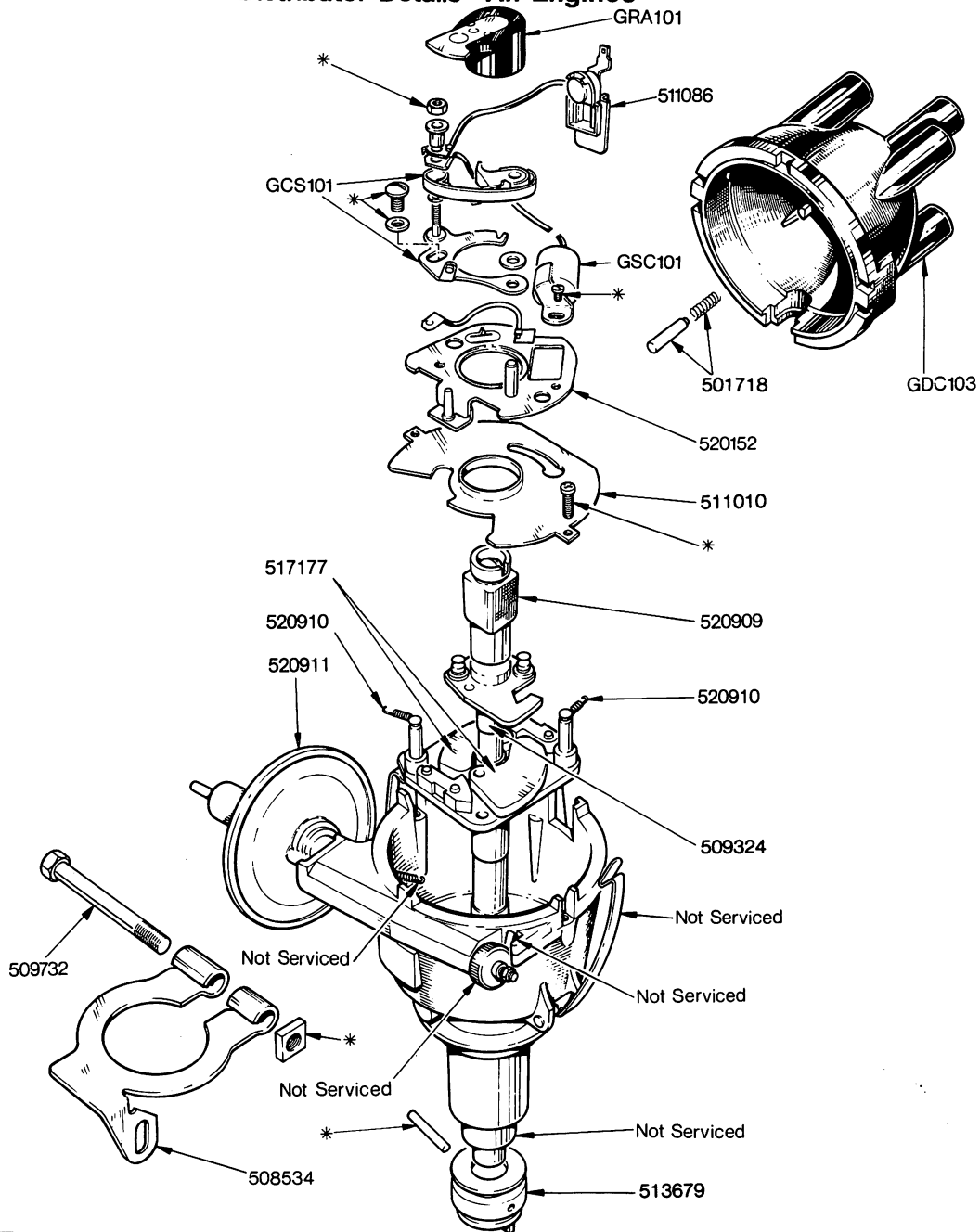
NOTE
 217031 Distributor Assembly 1off
 Items marked thus * are part of Sundry Parts Kit 501728
 The details on this plate are fitted up to Engine No. DM5000E only
 (See Plate S4a for future)

ELECTRICAL EQUIPMENT—Distributor Details 1500cc T/C Engine



NOTE
 217613 Distributor Assembly 1 off
 Items marked thus * are part of Sundry Parts Kit 501728
 The details on this Plate are fitted up to Engine No. DS5000E only
 (See Plate S4A for future)

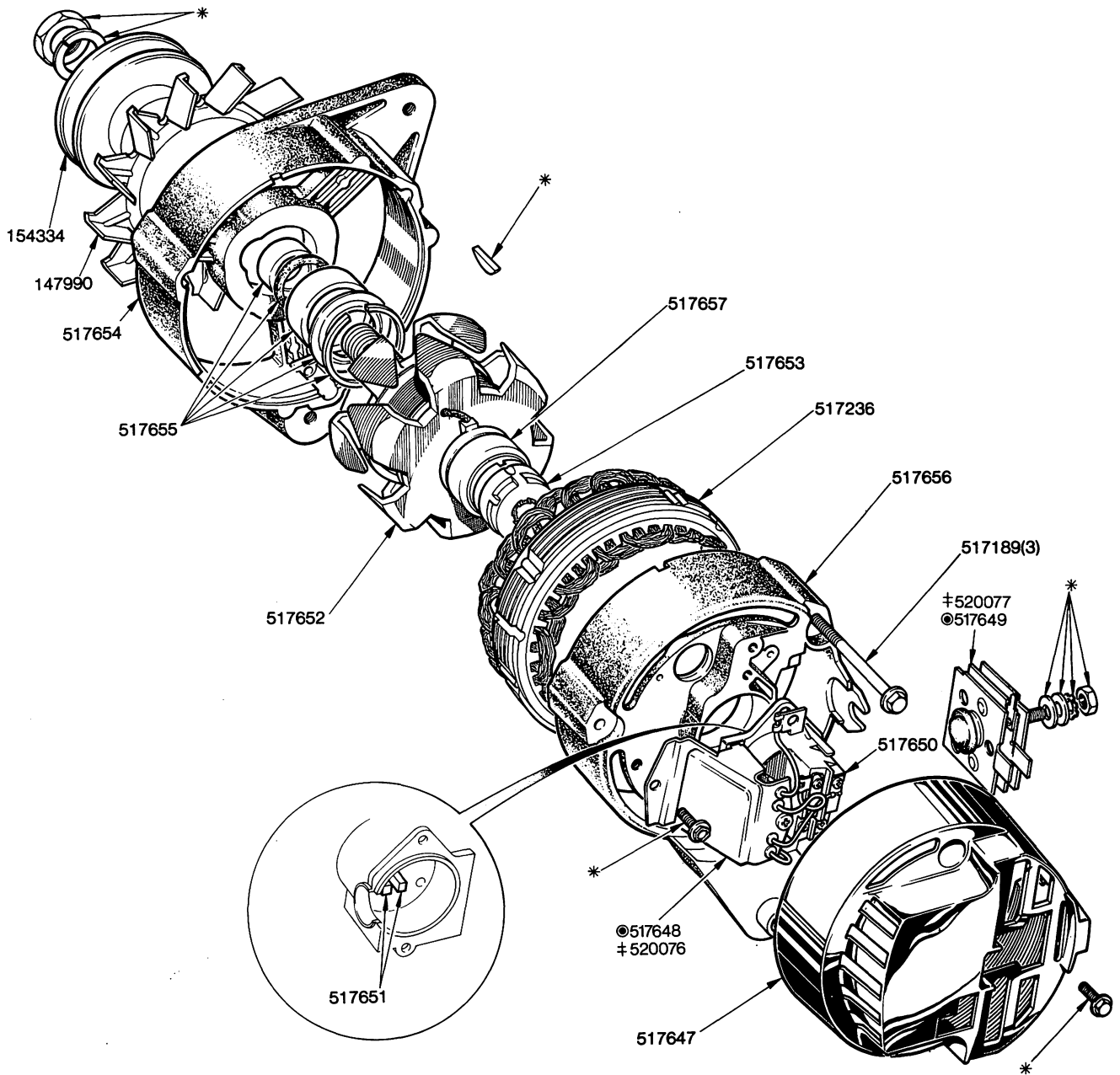
ELECTRICAL EQUIPMENT—Distributor Details All Engines



NOTE

218106 Distributor Assembly 1 off
 Items marked thus * are part of Sundry Parts Kit 501728
 Fitted on 1300cc S/C from Engine No. DG25001E and future (see S2 for previous)
 Fitted on 1500cc S/C from Engine No. DM5001E and future (see S3 for previous)
 Fitted on 1500cc T/C from Engine No. DS5001E and future (see S4 for previous)

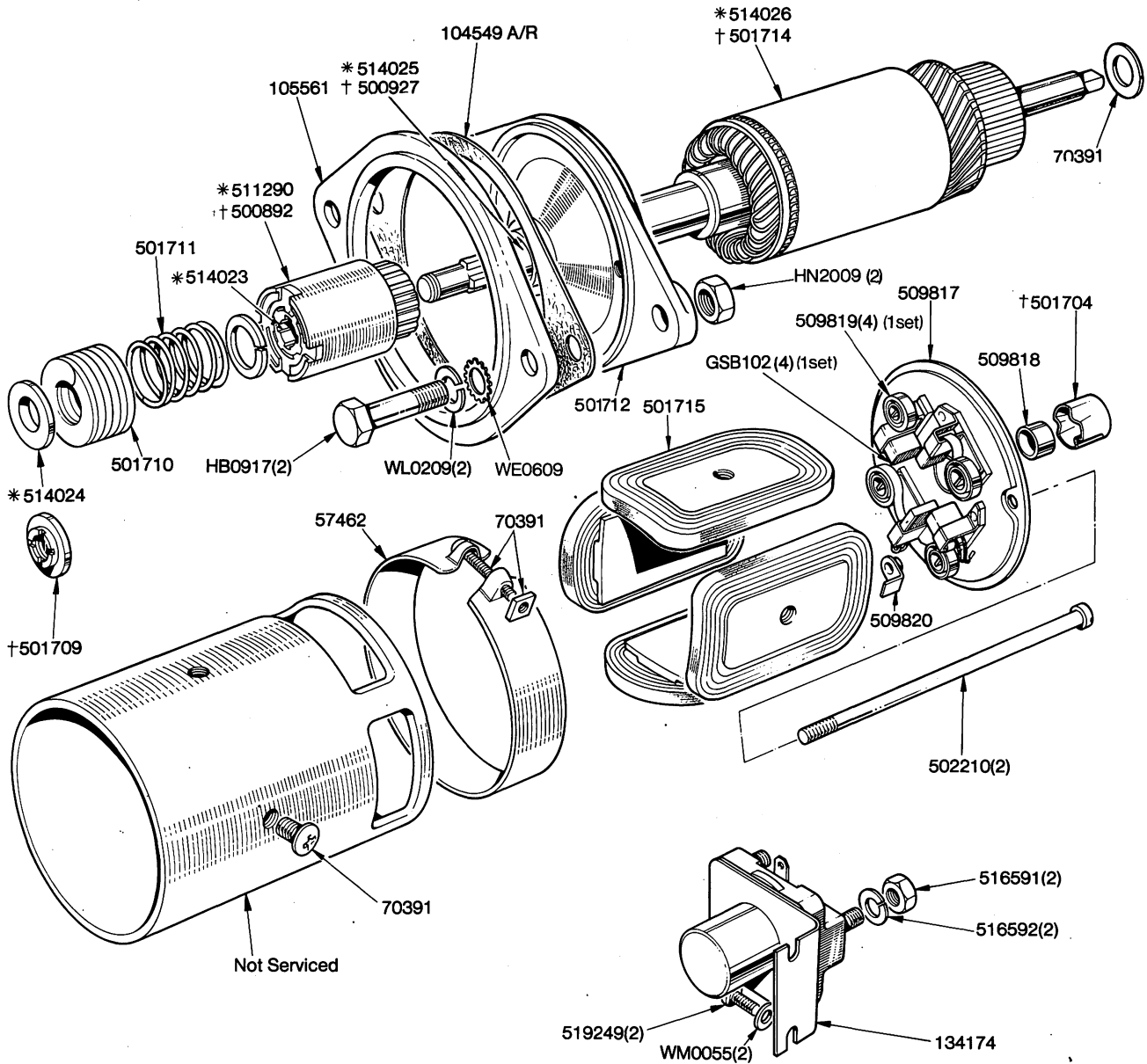
ELECTRICAL EQUIPMENT - Alternator



NOTE

215346 Alternator 15 A.C.R. (negative earth)-fitted up to Engine Nos DG1517OE (1300cc) and DM2066E (1500cc) only
 217772 Alternator 15 A.C.R. (negative earth)-fitted from Engine Nos DG15171E (1300cc) and DM2067E (1500cc) and future
 © Part of Alternator 215346 only
 † Part of Alternator 217772 only
 * Items marked thus are part of Sundry part set 517237
 For Alternator mounting details see Plate A14 for 1300cc. and Plate A31 for 1500cc.

ELECTRICAL EQUIPMENT—Starter Motor



NOTE

200535 Starter Motor (inertia type—fitted to normal engine) 1 off (Alternative fitment to detail on Plate S7)

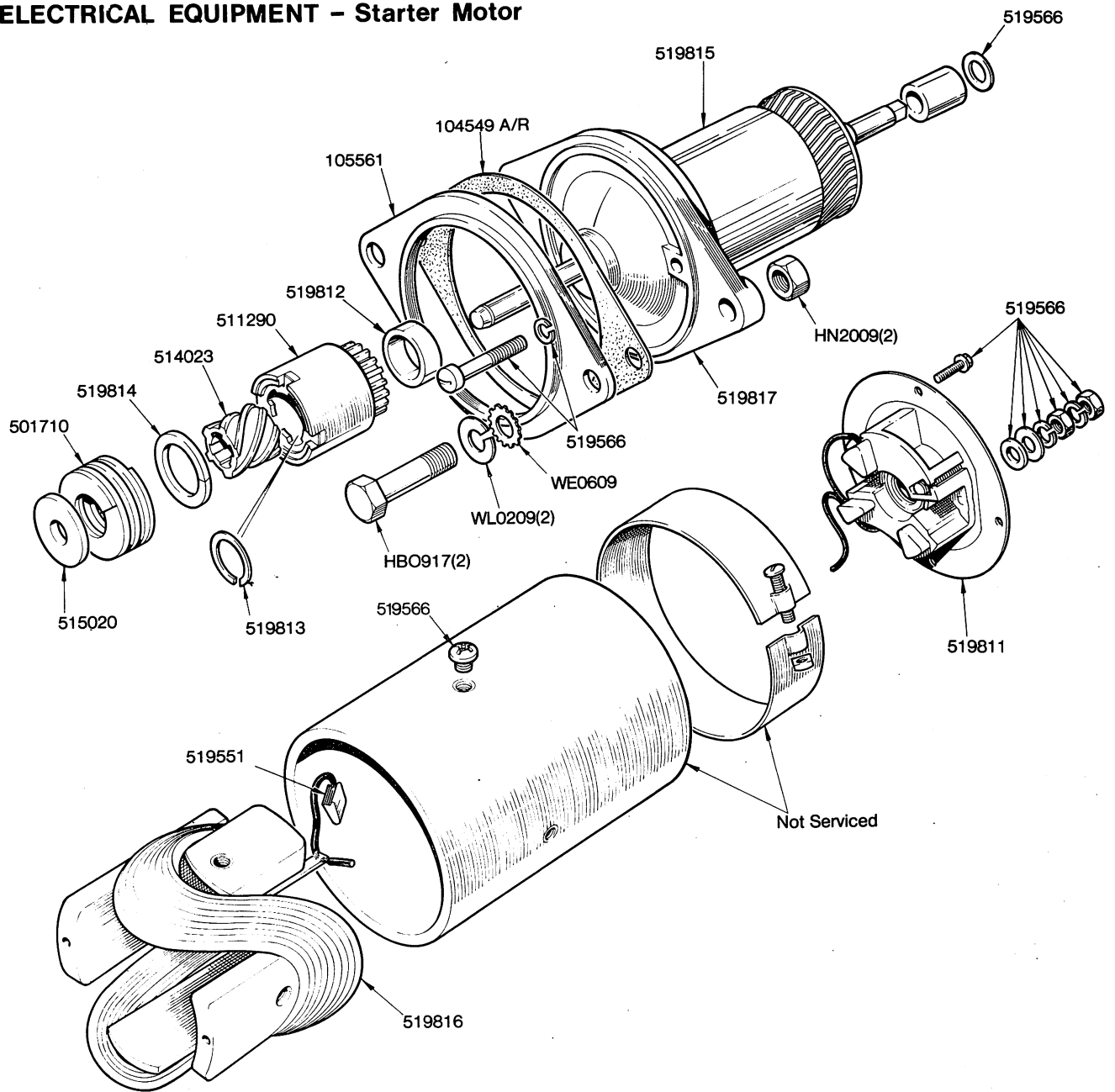
70391 Sundry Parts Set 1 off

Items marked thus * are part of Lucas No. 25079.B. only.

Items marked thus † are part of Lucas No. 25022 only.

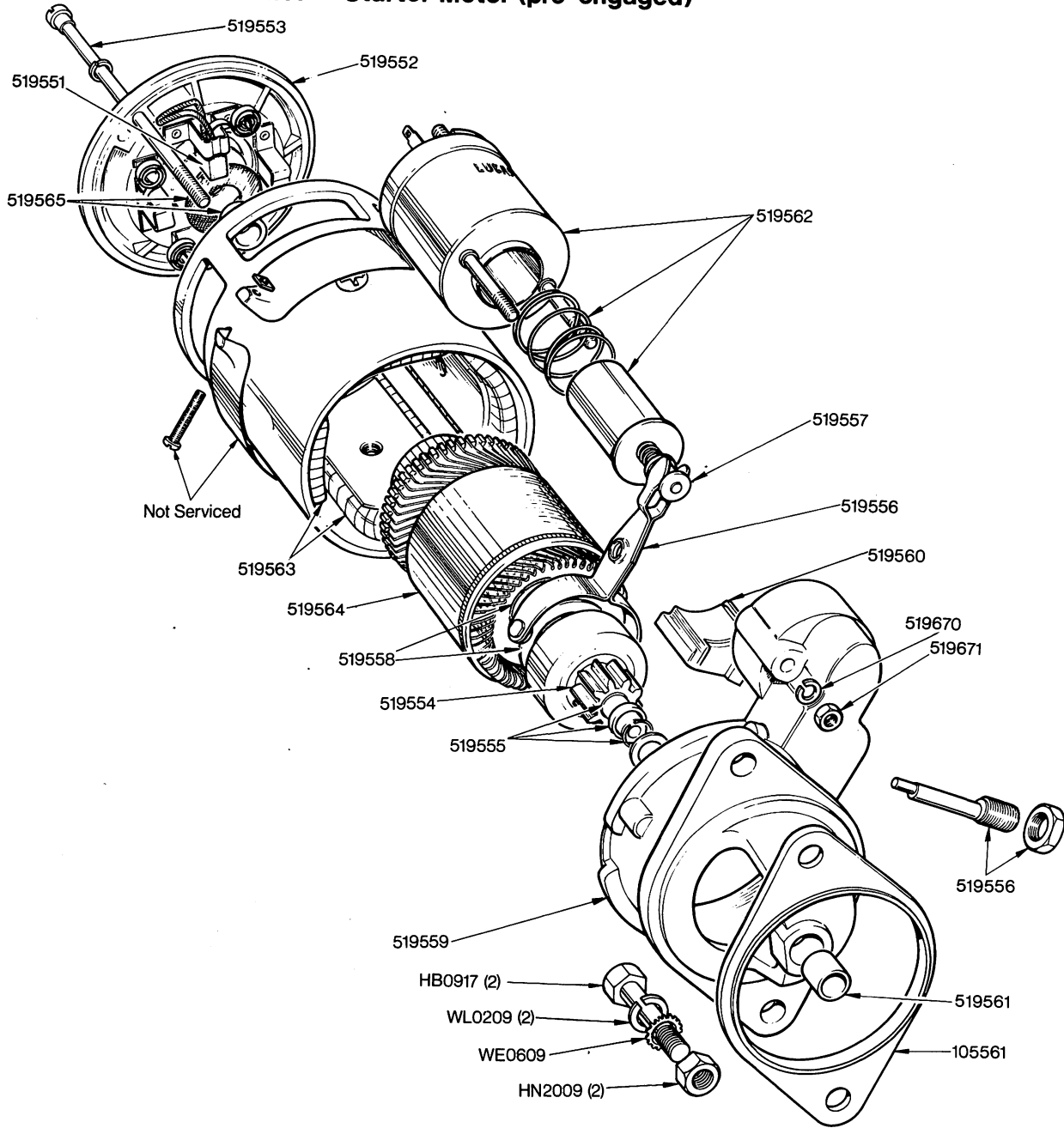
The details on this plate are NOT REQUIRED when pre-engaged Starter Motor is fitted

ELECTRICAL EQUIPMENT - Starter Motor



NOTE
 200535 Starter Motor, inertia type (Lucas No. 25149B) (Alternative fitment to detail on Plate S6)

ELECTRICAL EQUIPMENT - Starter Motor (pre-engaged)



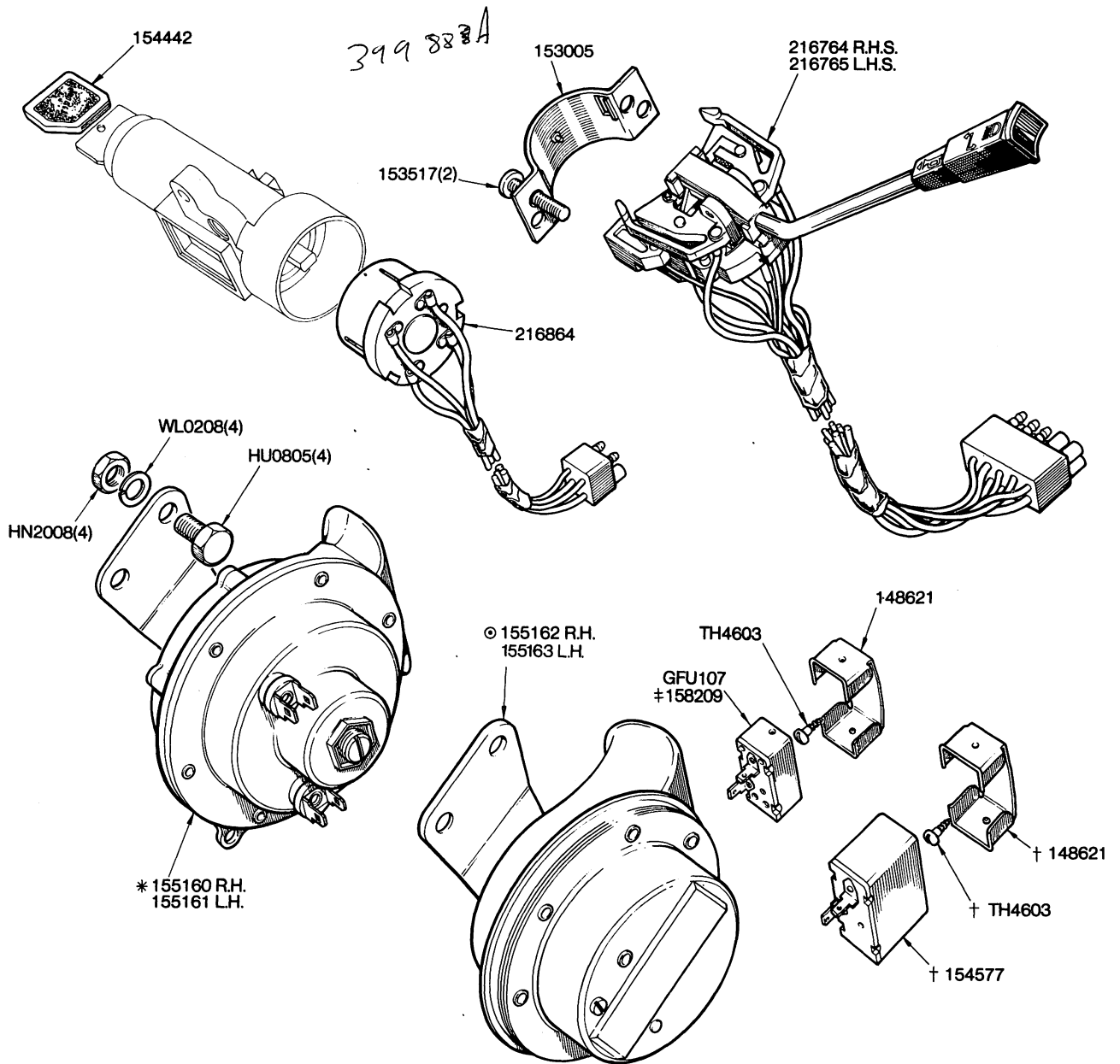
NOTE
 216991 Starter Motor Assembly 1 off
 519566 Sundry Part Set 1 off
 158385 Extension Lead (Starter Solenoid to Solenoid) 1 off
 (NOTE:-- Solenoid on Plate S6 is required when above lead is fitted)

TOLEDO 1500cc (Cold Start)

PLATE S8(08-29)

B1982/4

ELECTRICAL EQUIPMENT - Horns, Steering Column Controls, etc.



NOTE

Items marked thus † are for Norway, Germany and Special Order only.

* 155160	High Note Horn—Lucas (Fitted to R.H. side of vehicle)	1 off	} Home and Export markets
155161	Low Note Horn—Lucas (Fitted to L.H. side of vehicle)	1 off	
© 155162	High Note Horn—Clear Hooters (Fitted to R.H. side of vehicle)	1 off	} Home market only
155163	Low Note Horn—Clear Hooters (Fitted to L.H. side of vehicle)	1 off	

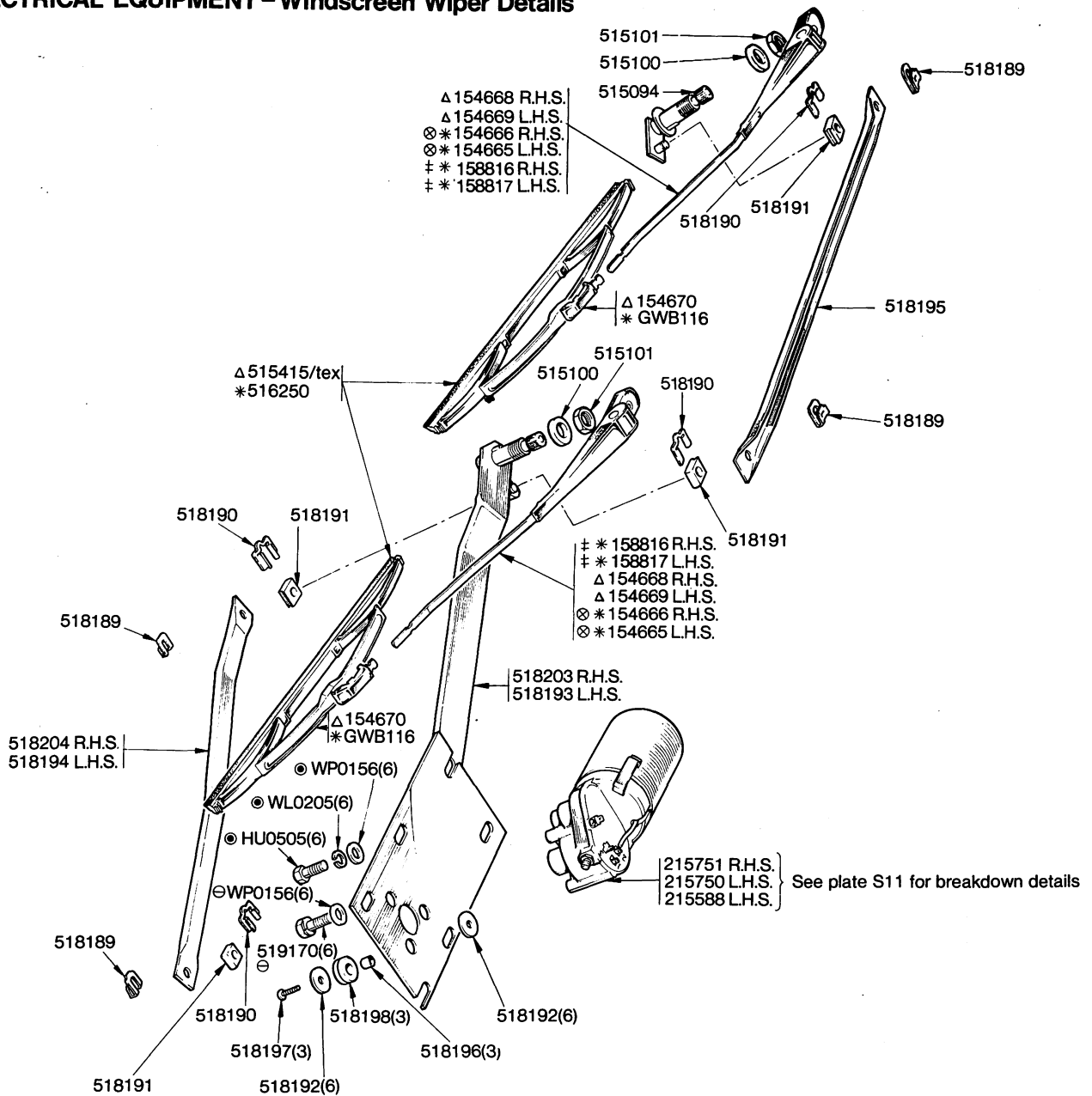
‡Germany only

TOLEDO

PLATE S9 (08-30)

B1957/4

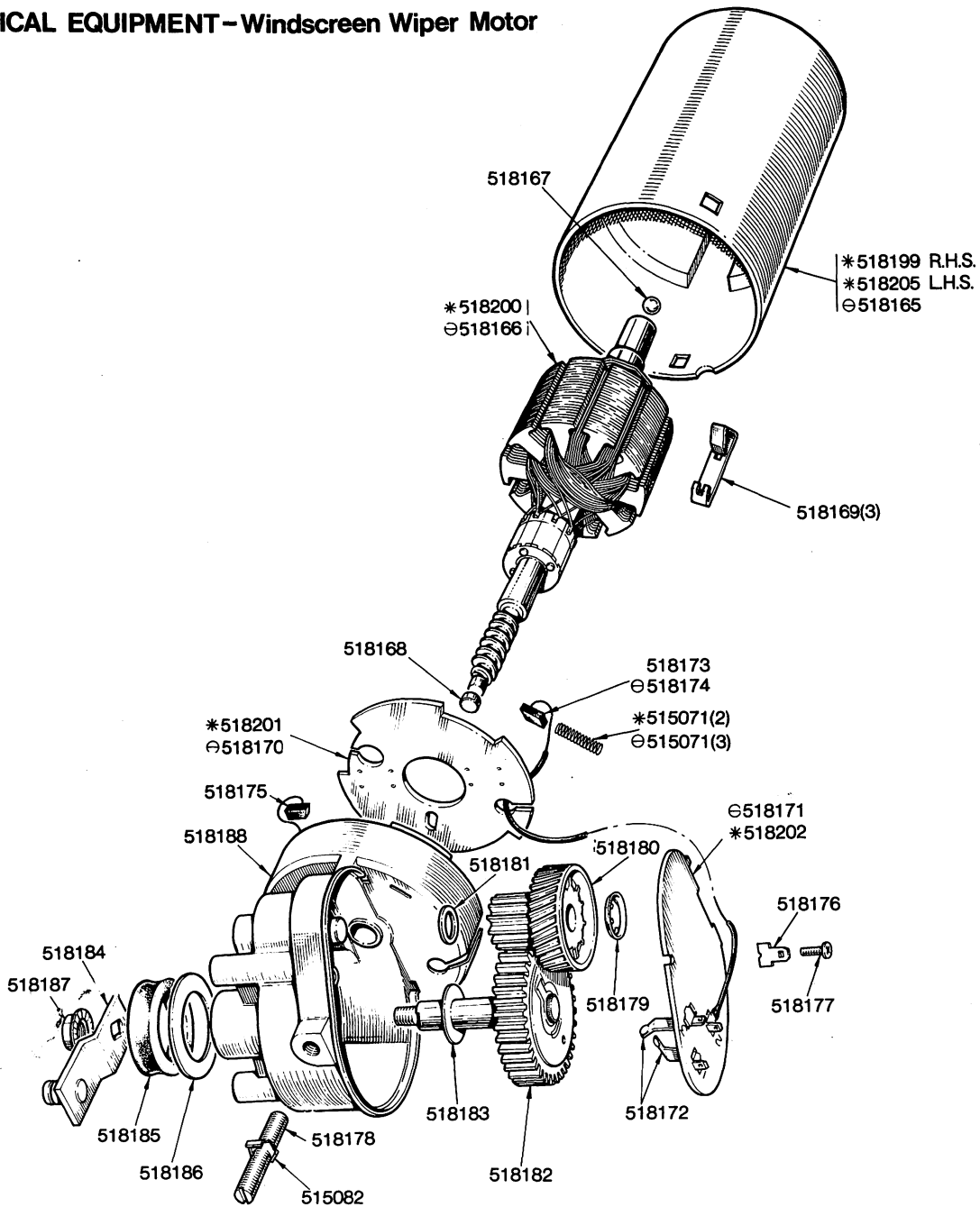
ELECTRICAL EQUIPMENT - Windscreen Wiper Details



NOTE

Items marked thus * are Lucas
 Items marked thus Δ are Magnatex } Alternatives
 Items marked thus ⊗ are fitted up to Commission No. only
 Items marked thus ‡ are fitted from Commission No. and future
 Items marked thus ⊙ are alternative to ⊖

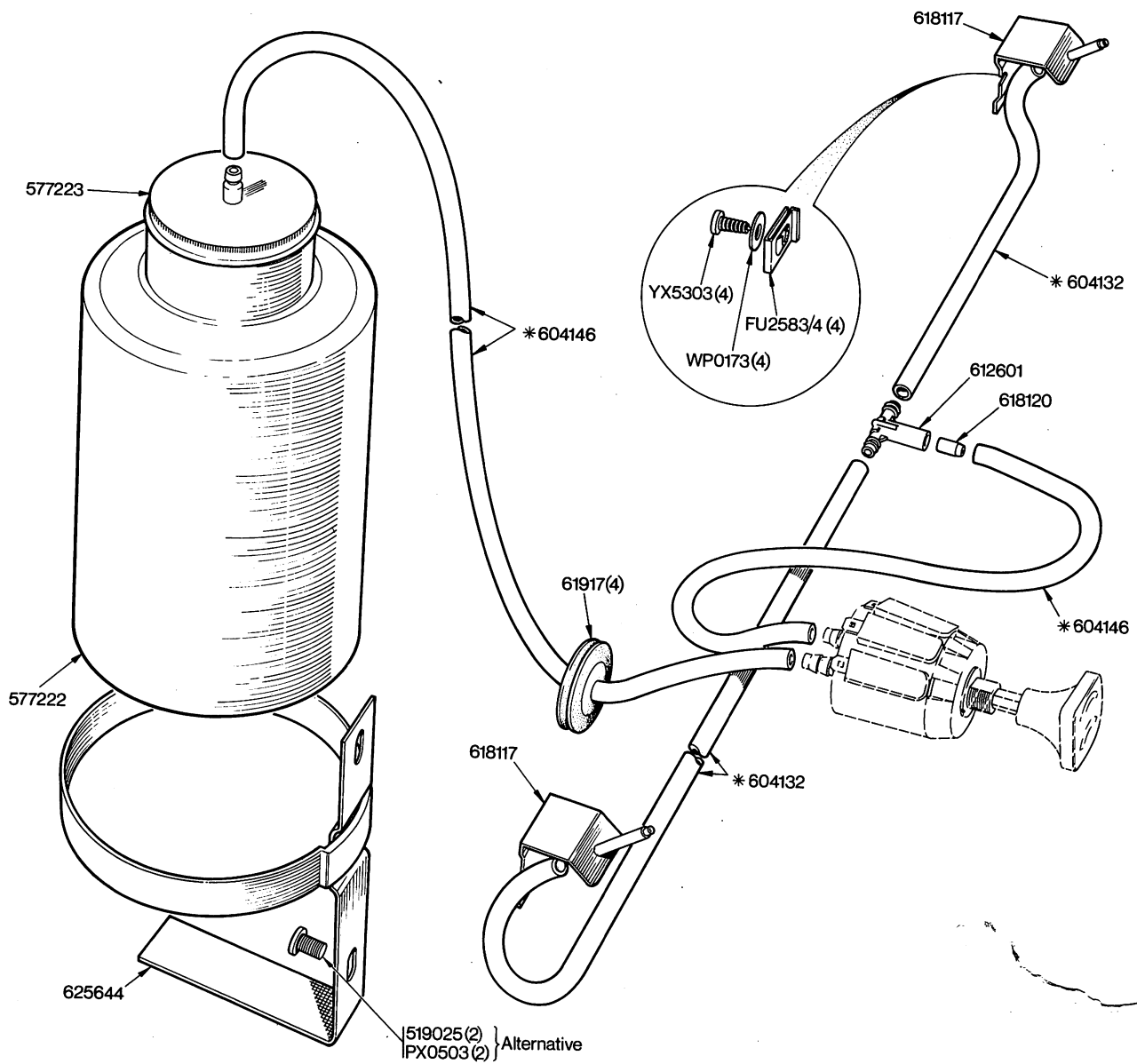
ELECTRICAL EQUIPMENT - Windscreen Wiper Motor



NOTE

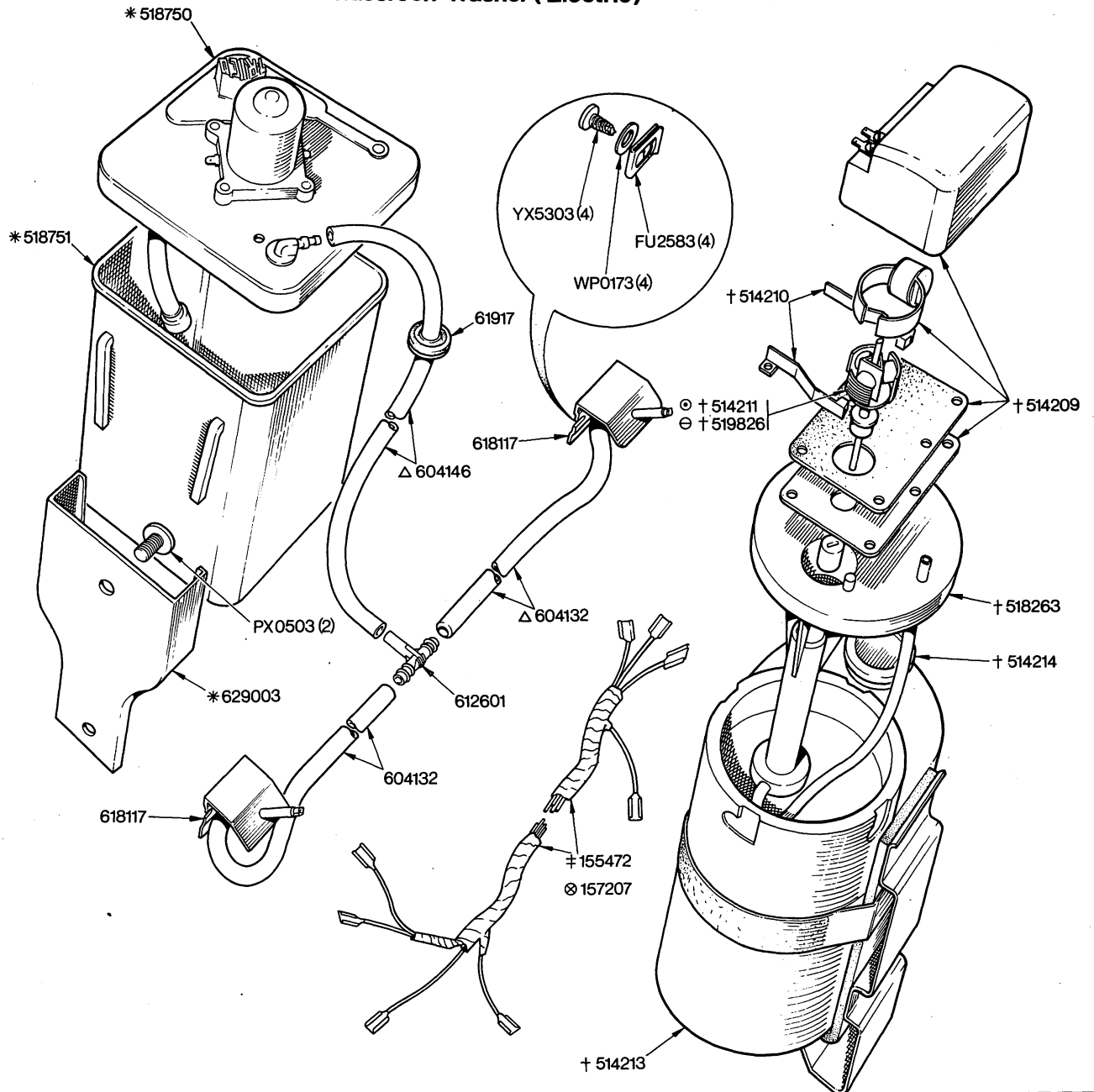
- | | | | |
|--------|--|-------|------------------|
| 215751 | Wiper Motor, Single Speed, R.H.S. | 1 off | } items marked * |
| 215750 | Wiper Motor, Single Speed, L.H.S. | 1 off | |
| 215588 | Wiper Motor, Two Speed Norway and Sweden | 1 off | } items marked ⊕ |
- All other details not marked are common to single and two speed motors.

ELECTRICAL EQUIPMENT - Windscreen Washer (Manual)



NOTE
 Items marked thus * are sold in feet
 Manual Operated Windscreen Washer Details
 (See Plate S13 for Electrical Washer)

ELECTRICAL EQUIPMENT - Windscreen Washer (Electric)



NOTE

- 217376 Electrical Windscreen Washer Bottle and Bracket assembly (Lucas type) Δ Sold in feet
- Comprising all items marked thus †
- 720094 Electrical Windscreen Washer Bottle assembly (Trico type)
- Comprising all items marked thus *
- ⊙ 514211 Armature (use with Lucas No 78454 A,B or C)
- ⊖ 519826 Armature (use with Lucas No 78454 D)
- 514212 Windscreen Washer Motor and Pump Assembly 1 off
- (For use with Lucas Windscreen Washer only)

⊗ Norway only
 ‡ Sweden only

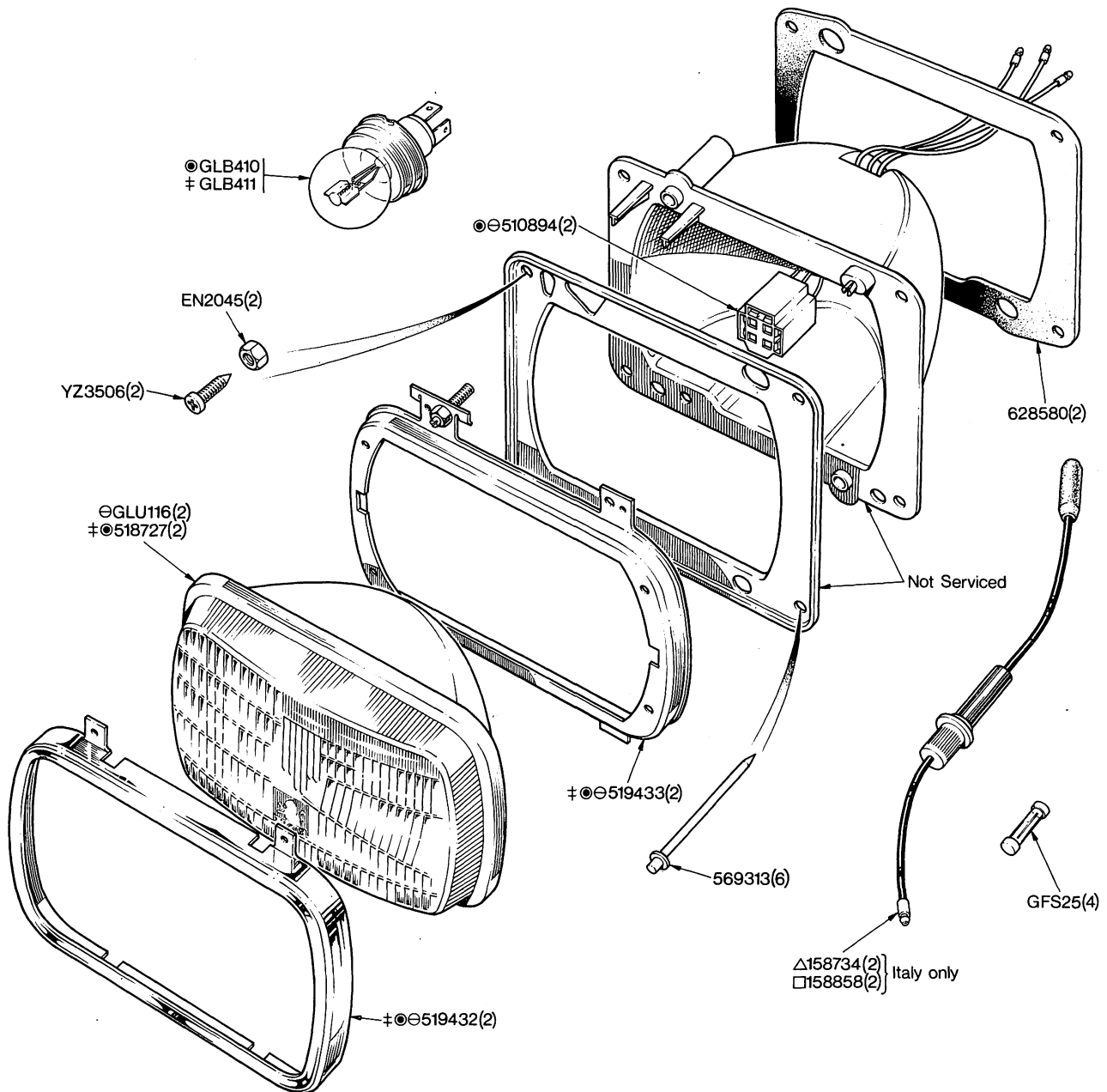
Electrical Windscreen Washer Sweden and Norway
 (See Plate S12 for Manual Washer for other markets)

TOLEDO

PLATE S13 (08-34)

B1992/4

ELECTRICAL EQUIPMENT-Headlamp



NOTE

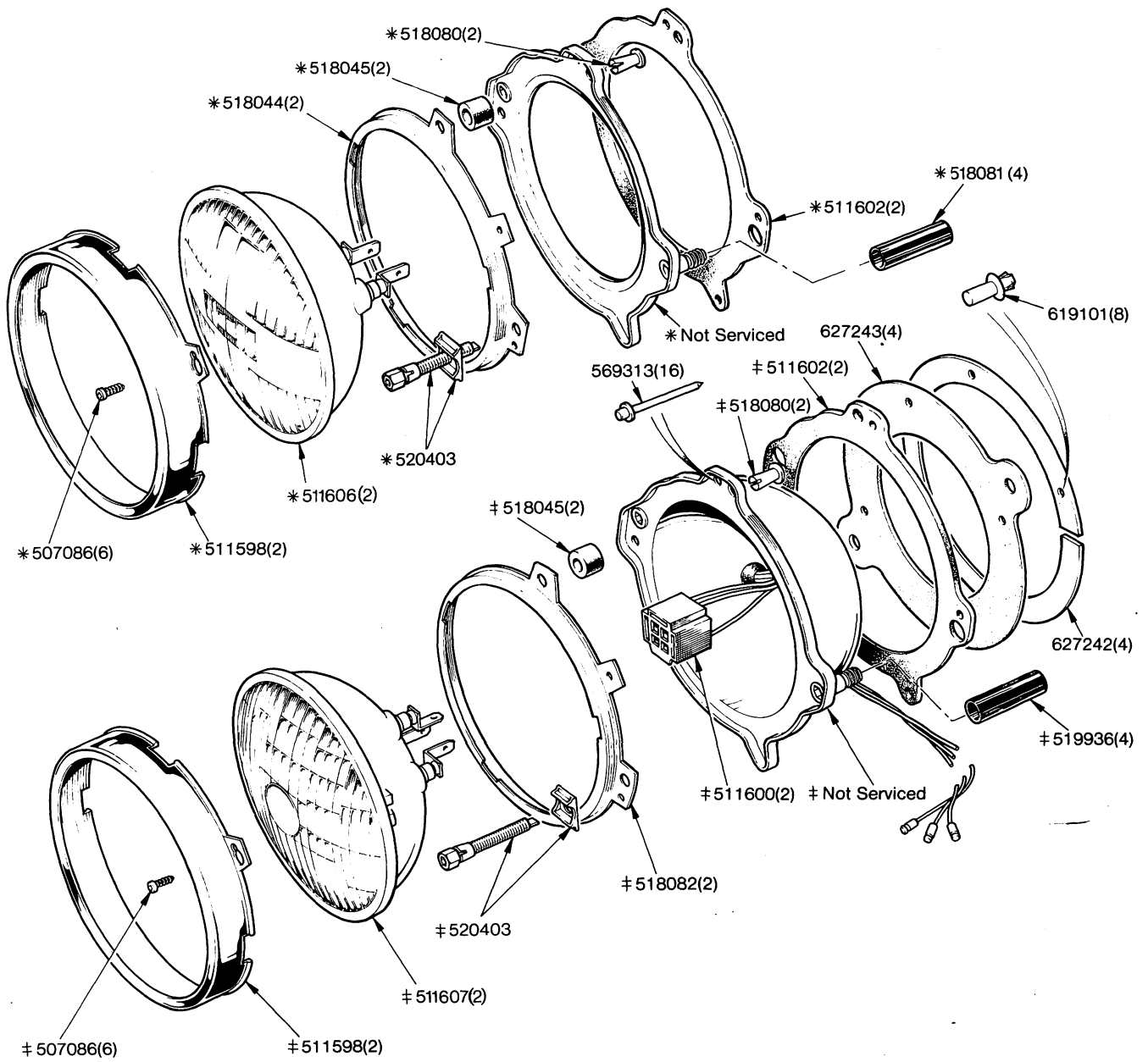
216823	Head Lamp Assembly (L.H. rule of the road)	2 off	Comprising items marked thus \ominus
216965	Head Lamp Assembly (R.H. rule of the road except France)	2 off	Comprising items marked thus \ominus
216966	Head Lamp Assembly (R.H. rule of the road France only)	2 off	Comprising items marked thus \ddagger
\triangle 158734	Cable Colour Blue/Red		
\square 158858	Cable Colour Blue/White		

TOLEDO (2 Headlamp Model)

PLATE S14 (08-35)

B1947/4

ELECTRICAL EQUIPMENT - Headlamps



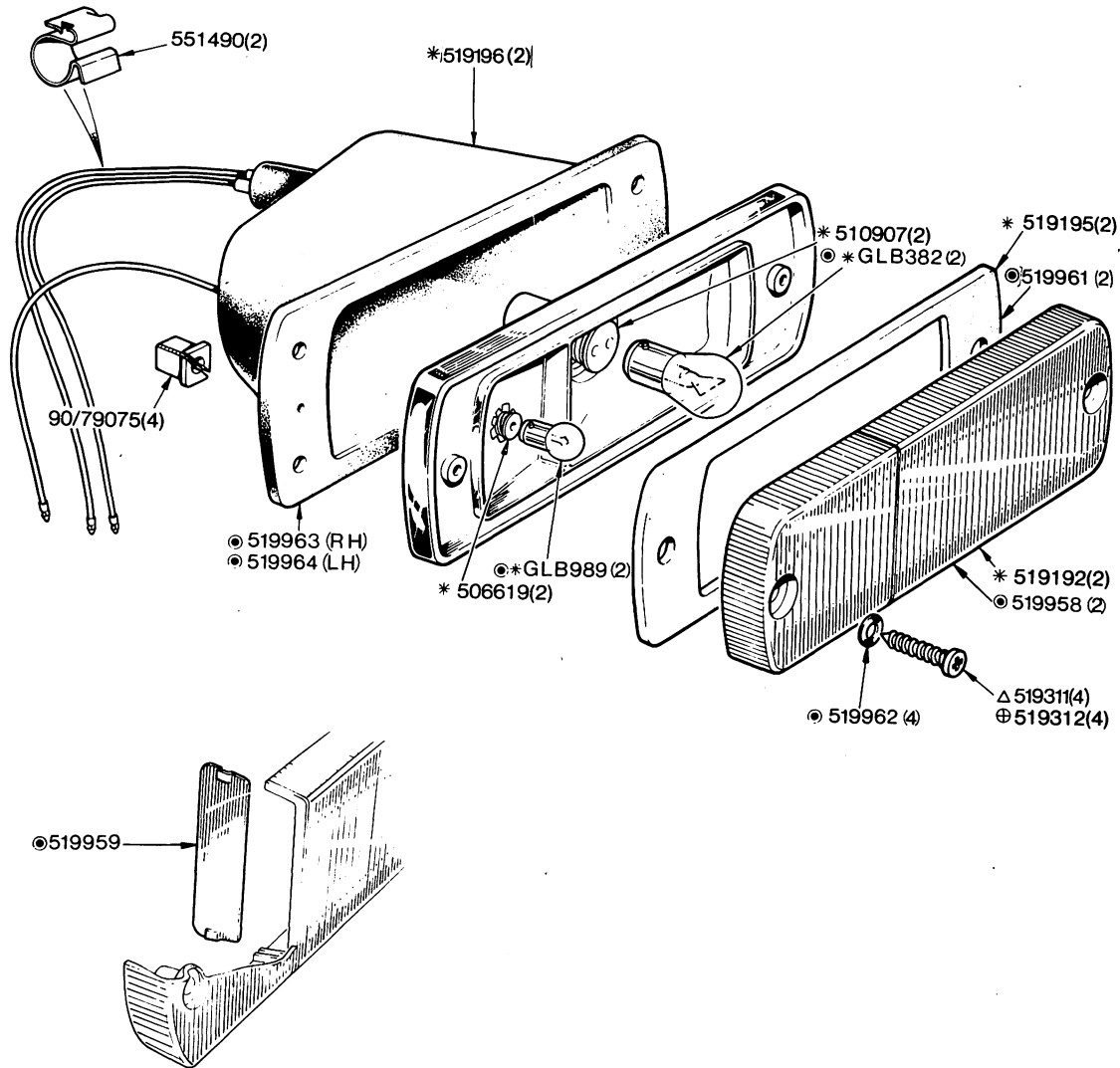
NOTE
 305570 Head Lamp Assembly - Outer 2off Comprising items marked thus #
 (main and dip beam)
 308645 Head Lamp Assembly - Inner 2off Comprising items marked thus *
 (main beam)

TOLEDO (4 Headlamp Model)

PLATE S14A (08-36)

B2670

ELECTRICAL EQUIPMENT- Side/Flasher Lamps – All Markets (Except Italy)



NOTE

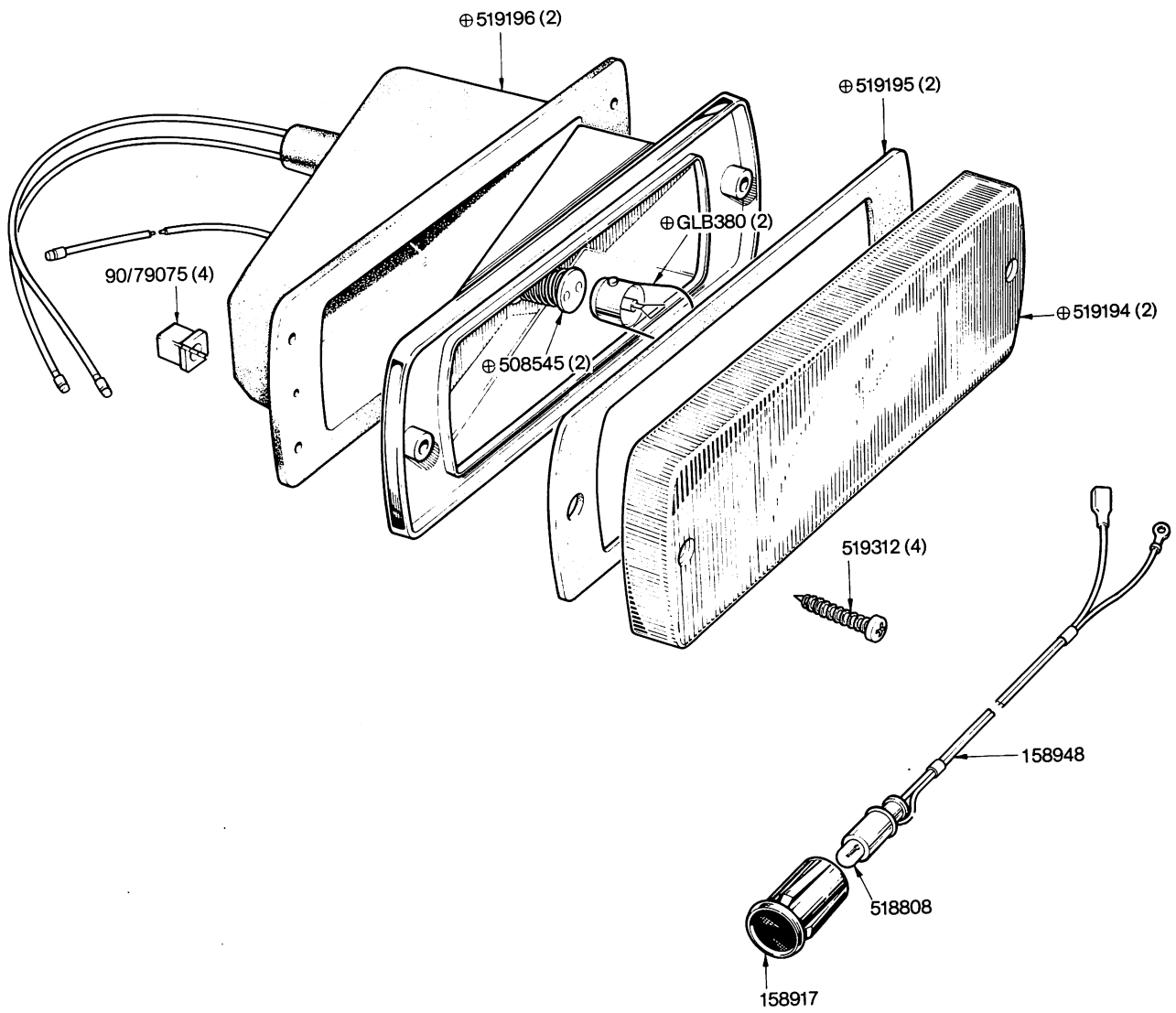
216359/1	Front Side and Flasher Lamp R.H.	Lucas Type Lamp	} Comprising items marked thus *
216360/1	Front Side and Flasher Lamp L.H.	(All markets except Italy)	
216359/2	Front Side and Flasher Lamp R.H.	Magnatex Type	} Comprising items marked thus ⊙
216360/2	Front Side and Flasher Lamp L.H.	(All markets except Italy)	

216359/1, 216360/1 alternative fitment to 216359/2, 216360/2 in car sets only

Δ Used with Magnatex Lamps up to Trimmed Body Nos T15500DG (2 Door) T306DK (4 Door)

⊕ Used with Magnatex Lamps from Trimmed Body Nos T15501DG (2 Door) T306DK (4 Door) and with all Lucas Lamps.

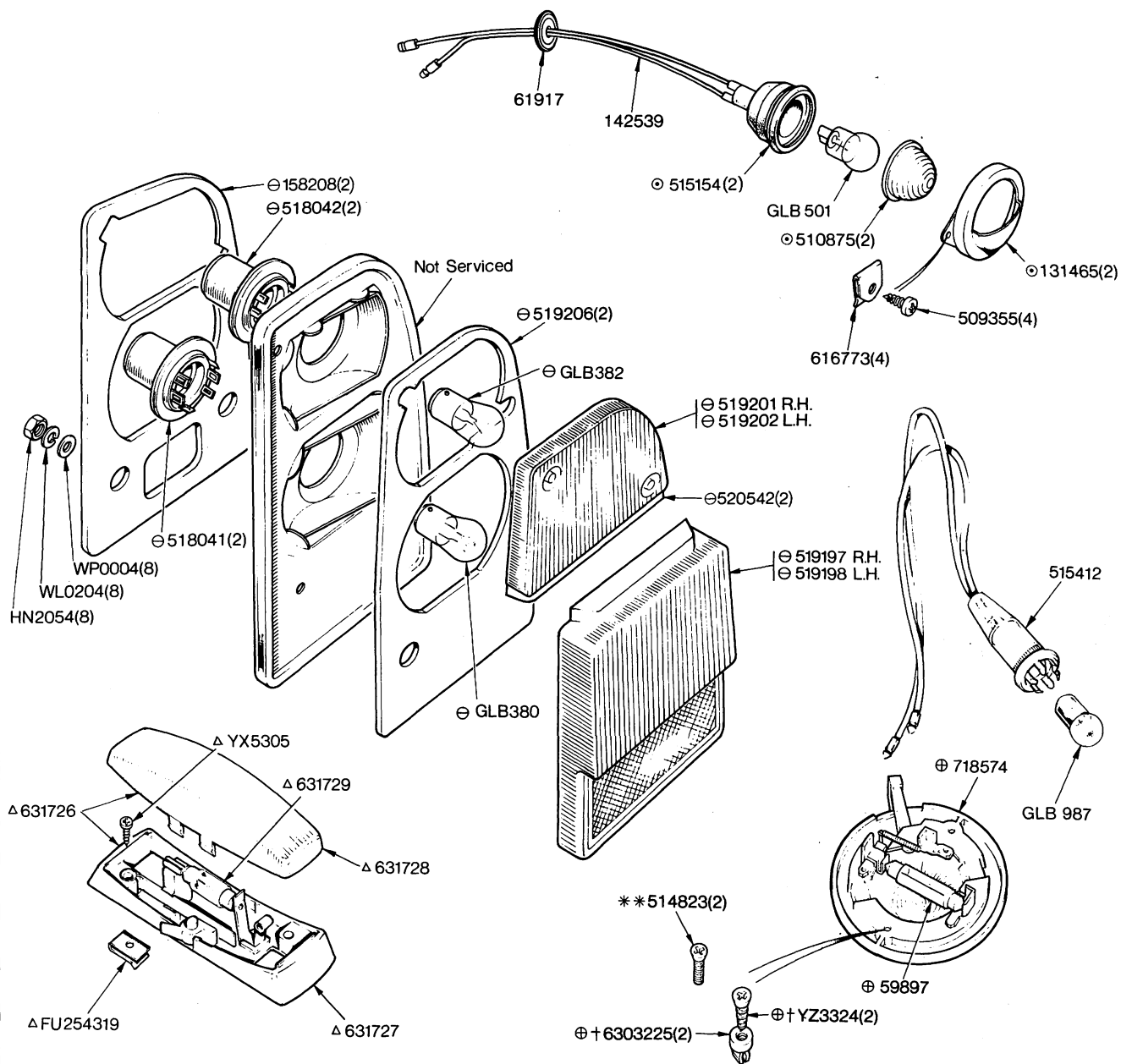
ELECTRICAL EQUIPMENT- Side/Flasher Lamps (Italy only)



NOTE

- | | | |
|--------|----------------------------------|----------------------------------|
| 217037 | Front Side and Flasher Lamp R.H. | } Comprising items marked thus ⊕ |
| 217038 | Front Side and Flasher Lamp L.H. | |

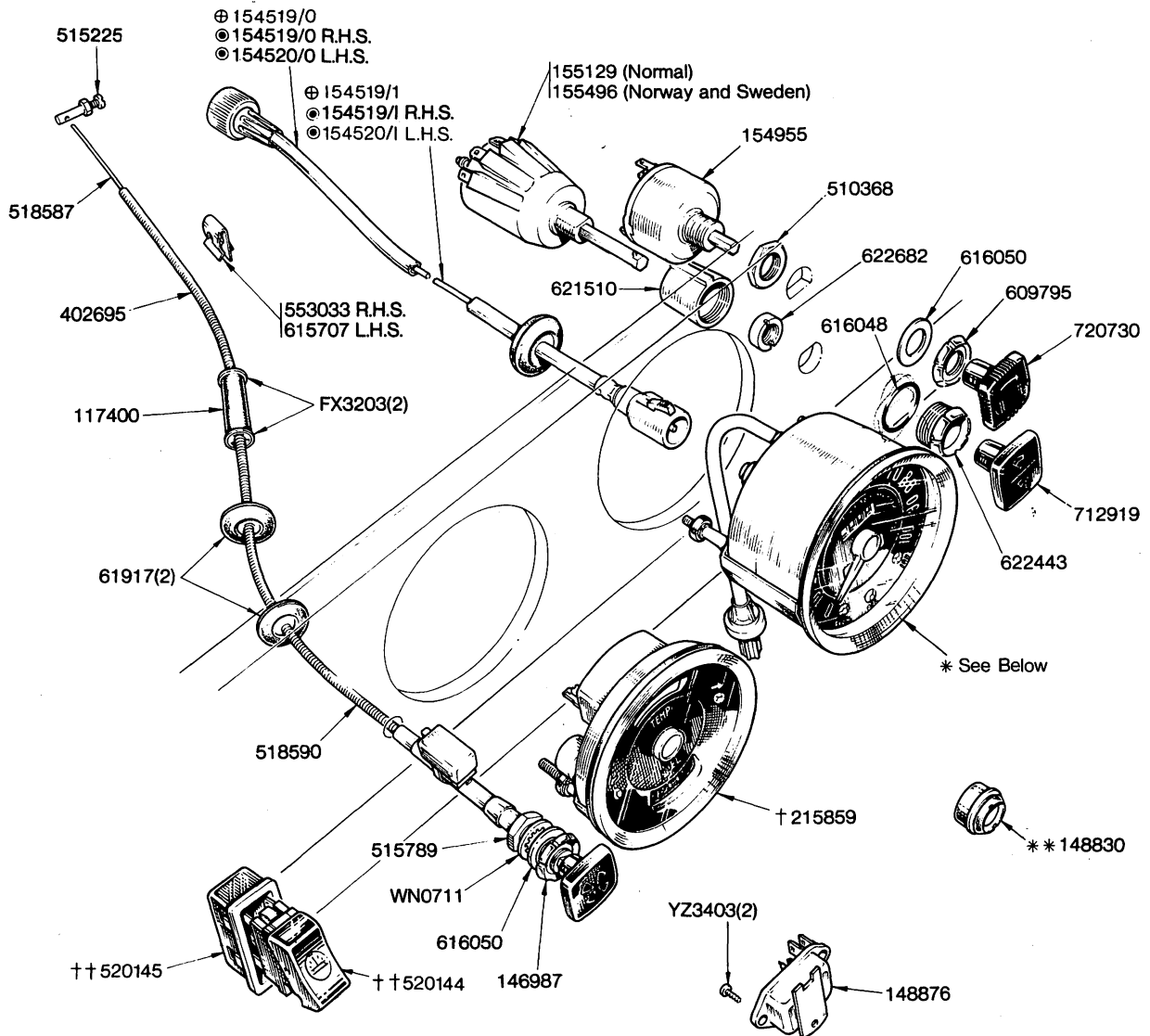
ELECTRICAL EQUIPMENT - Stop/Tail, Number Plate, Roof, Trunk Light Lamps



NOTE

216369	Stop Tail Flasher and Reflex Lamp R.H.	1 off	} Comprising items marked thus ⊖
216370	Stop Tail Flasher and Reflex Lamp L.H.	1 off	
142002	Rear Number Plate Lamp Assembly	2 off	} Comprising items marked thus ⊙
† YZ3324	Screw	} Use with 819153 Support, See Plate T5	
† 630225	Nut		
** 514823	Screw	} Use with 617248 Support, See Plate T5	
⊕	Fitted up to body No 20992 DK (4 Door) and body No	(2 Door) only	
Δ	Fitted from body No 20993 DK (4 Door) and body No	(2 Door) and future	

ELECTRICAL EQUIPMENT - Facia Instruments and Switches



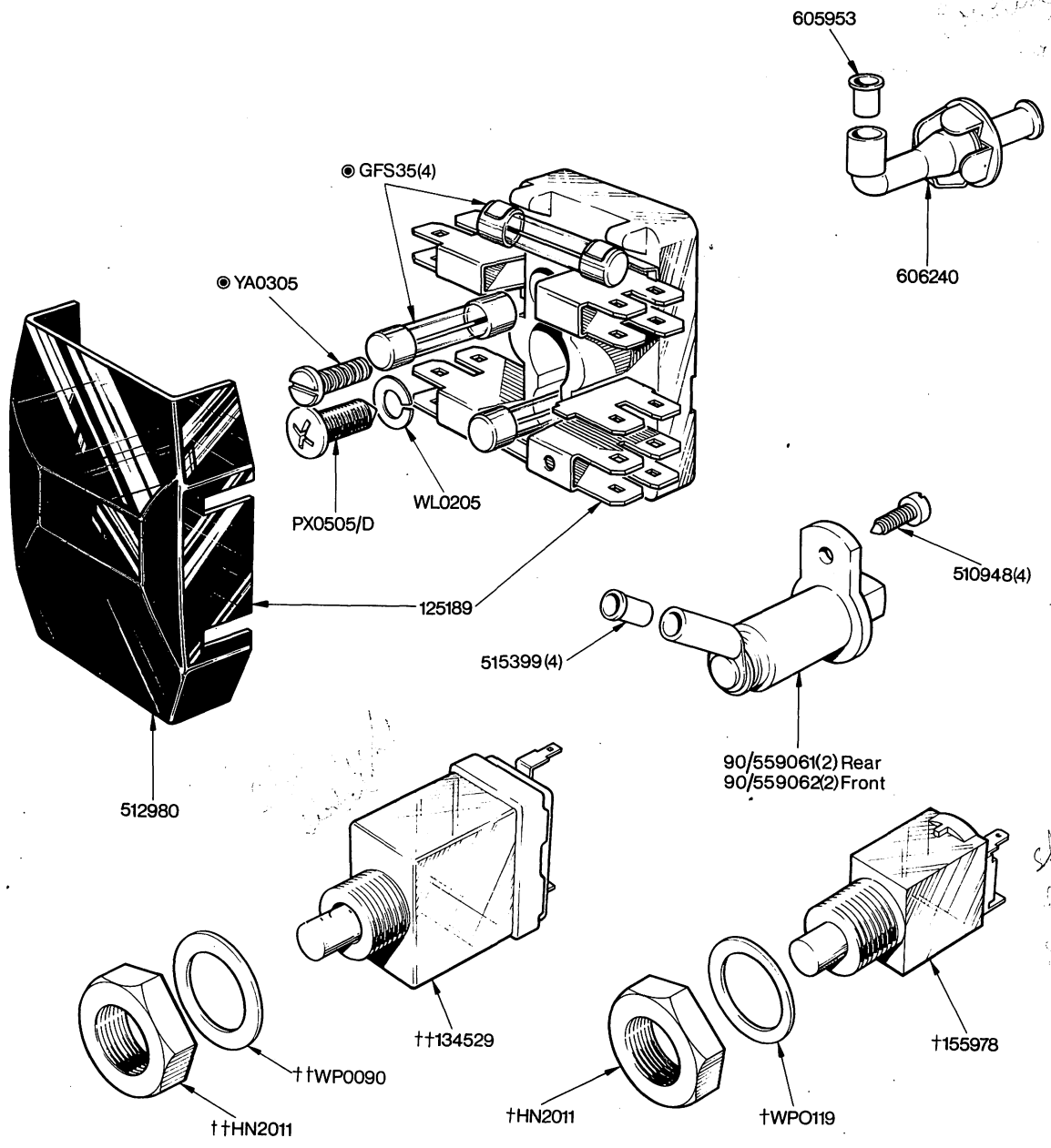
NOTE		** Norway and special orders only	
* 215860	Speedometer - Mile (Smiths Type) (1300cc Engine with 4.11:1 axle ratio)	1 off	† 215859 2 in 1 Instrument Gauge 1 off Comprising:-
* 215860/3	Speedometer - Mile (A.C. Delco Type) (1300cc Engine with 4.11:1 axle ratio)	1 off	518324 Petrol Gauge 1 off
* 215861	Speedometer - Kilo (Smiths Type) (1300cc Engine with 4.11:1 axle ratio)	1 off	518325 Temperature Gauge 1 off
* 215861/3	Speedometer - Kilo (A.C. Delco Type) (1300cc Engine with 4.11:1 axle ratio)	1 off	†† Norway, Germany and special orders only
* 215864	Speedometer - Mile (1500cc Engine with 3.89:1 axle ratio)	1 off	59492 Bulb (Instrument Panel Illumination) 5 off (Included in Facia Harness)
* 215865	Speedometer - Kilo (1500cc Engine with 3.89:1 axle ratio)	1 off	⊙ Fitted up to Trim Body No's T22546 DG., T14141 DK
			⊕ Fitted from Trim Body No's T22547 DG., T14142 DK (R.H.S. and L.H.S. Vehicles)

TOLEDO

PLATE S17 (08-40)

B1945/4

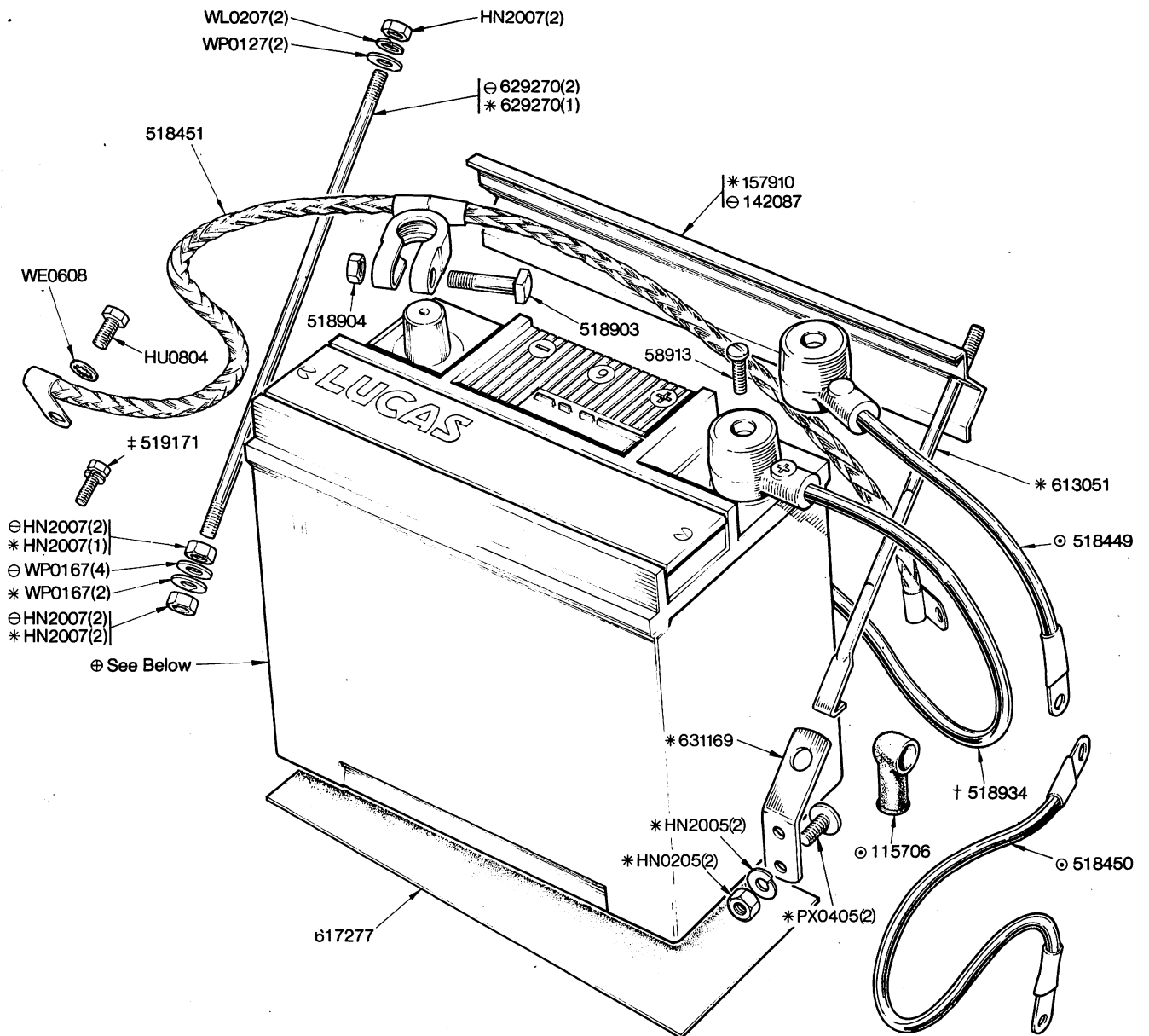
ELECTRICAL EQUIPMENT—Fuse Box, Courtesy and Stop Light Switches.



NOTE
 ● Setscrew (alternative fitment to PX0505/D WL0205)
 †† Alternative to items marked †

TOLEDO **PLATE S18 (08- 41)** **B1960/3**

ELECTRICAL EQUIPMENT - Battery Details



NOTE

- ⊖ normal fitment
- * item marked thus fitted with heavy duty type battery
- ⊖ items marked thus fitted with inertia type starter motor
- † item marked thus fitted with pre-engaged type Starter Motor
- ⊕ 514124 Battery-Lucas } alternative 1 off } normal fitment
- 515189 Battery-Exide } alternative 1 off }
- 217995 Battery-heavy duty 1 off }
- ‡ Alternative fitment to HU0804 and WE0608

TOLEDO

PLATE S19 (08-42)

B1968/4

ELECTRICAL EQUIPMENT-WIRING HARNESS AND CLIPS

Part No.	Description	No. per Unit	Remarks
155140	Body Harness	1	Normal
311325	Engine Bay Harness - R.H.S.	1	Normal
311517	Engine Bay Harness - L.H.S.	1	Normal
312323	Engine Bay Harness - L.H.S.	1	Norway
311564	Engine Bay Harness - L.H.S.	1	Cold Climate type
311777	Engine Bay Harness - R.H.S.	1	Germany
311768	Engine Bay Harness - L.H.S.	1	Germany
216969	Facia Harness	1	Normal
218320	Facia Harness	1	Norway
217401	Facia Harness	1	Germany
217606	Facia Harness	1	} Special Orders (When Brake Warning Light is fitted L.H.S.)
156599	Dual Brake Harness	1	
156531	Extension Lead (Dual Brake)	1	
156255	Extension Lead (Flasher Unit) (Fitted to Light Green/Brown and Green Cables)	1	Fitted from Trim Body Numbers T.22268DG, T.13118DK
155419	Roof Lamp Harness (2 Door)	1	Fitted up to Trim Body No.....only
159858	Roof Lamp Harness (2 door)	1	Fitted from Trim Body No.....and future
155024	Roof Lamp Harness (4 Door)	1	Fitted up to Body Number 20992DK only
159859	Roof Lamp Harness (4 Door)	1	Fitted from Body No. 20993DK and future
HARNESS ATTACHMENTS			
518850	Sleeve - Harness to 'T' Clips on Dash	9	Fitted up to Body No. 390.DG only
630403	Clip - Harness to studs on Dash	4	} Fitted from Number 391DG and future
631178	Clip - Harness to studs on dash	5	
154653	Clip - Harness to Engine Bay	10	
515965	Clip - Harness to Facia Panel (L.H.S.)	1	
553732	Clip - Boot lid Lead to Body Panel	1	
551490	Clip - Harness to Trunk	7	
615924	Clip - Number plate lead to trunk lid hinge	2	
WE.0608	Washer, shakeproof Main Earth	2	
HU.0805	Setscrew to dash	1	
615924	Clip Securing temperature transmitter	1	
138892	Clip lead to alternator bracket	1	
505155	Clip - Locating Steering Column Cables	1	
150640	Connector Block	1	
554407	Rivet - Block to L.H. turret	2	

BODY AND FITTINGS - BODY ASSEMBLY

Part No.	Description	No. per Unit	Remarks
576382	BODY ASSEMBLY R.H.S. } PAINTED AND	1	2 door 2 headlamp type vehicles
576383	BODY ASSEMBLY L.H.S. } TRIMMED	1	
576384	BODY ASSEMBLY R.H.S. } (WITH SEATS)	1	
576385	BODY ASSEMBLY L.H.S. } (LESS SEATS)	1	
577196	BODY ASSEMBLY R.H.S. } PAINTED AND	1	2 door 4 headlamp type vehicles
577195	BODY ASSEMBLY L.H.S. } TRIMMED	1	
577198	BODY ASSEMBLY R.H.S. } (WITH SEATS)	1	
577197	BODY ASSEMBLY L.H.S. } (LESS SEATS)	1	
913775	BODY SHELL R.H.S.(PRIMED) } WITH BONNET,	1	2 door 2 headlamp type vehicles
913776	BODY SHELL L.H.S.(PRIMED) } DOORS AND	1	
912887	BODY SHELL R.H.S.(PRIMED) } BOOT LID	1	
912888	BODY SHELL L.H.S.(PRIMED) } LESS BONNET	1	
818883	BODY SHELL R.H.S.(PRIMED) } DOORS AND	1	2 door 4 headlamp type vehicles
818884	BODY SHELL L.H.S.(PRIMED) } BOOT LID	1	
818793	BODY SHELL R.H.S.(PRIMED) } LESS BONNET,	1	
818794	BODY SHELL L.H.S.(PRIMED) } DOORS AND	1	

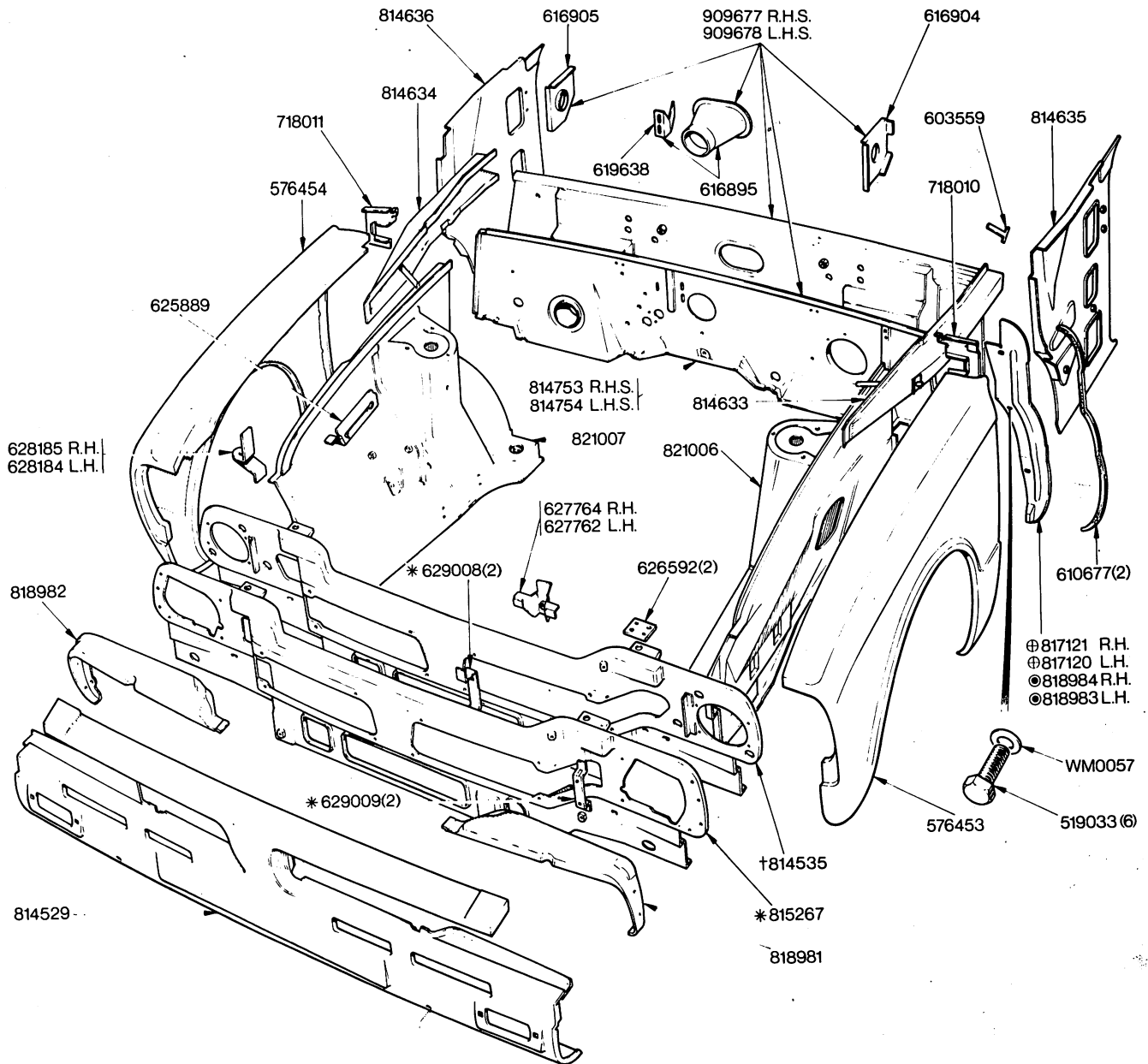
BODY AND FITTINGS - BODY ASSEMBLY

Part No.	Description	No. per Unit	Remarks
⊙ 576548	BODY ASSEMBLY R.H.S.	1	
⊗ 577305	BODY ASSEMBLY R.H.S.	1	
576547	BODY ASSEMBLY L.H.S.	1	
577194	BODY ASSEMBLY L.H.S. (T/C MODEL WITH RECLINING FRONT SEATS)	1	
⊙ 576550	BODY ASSEMBLY R.H.S.	1	
⊗ 577306	BODY ASSEMBLY R.H.S.	1	
576549	BODY ASSEMBLY L.H.S.	1	
⊙ 913823	BODY SHELL R.H.S. (PRIMED)	1	
⊗ 631405	BODY SHELL R.H.S. (PRIMED)	1	
913824	BODY SHELL L.H.S. (PRIMED)	1	
⊙ 911443	BODY SHELL R.H.S. (PRIMED)	1	4 door 2 headlamp type vehicles
⊗ 625065	BODY SHELL R.H.S. (PRIMED)	1	
911444	BODY SHELL L.H.S. (PRIMED)	1	
577191	BODY ASSEMBLY R.H.S.	1	
577190	BODY ASSEMBLY L.H.S.	1	
577193	BODY ASSEMBLY R.H.S.	1	
577192	BODY ASSEMBLY L.H.S.	1	
818877	BODY SHELL R.H.S. (PRIMED)	1	
818878	BODY SHELL L.H.S. (PRIMED)	1	
818787	BODY SHELL R.H.S. (PRIMED)	1	
818788	BODY SHELL L.H.S. (PRIMED)	1	4 door 4 headlamp type vehicles

⊙ Fitted up to Commission Number ADF 5000 only (Normal type bumpers)

⊗ Fitted from Commission Number ADF 5001 and future (wrap-round type bumpers)

BODY AND FITTINGS - Front End Panels



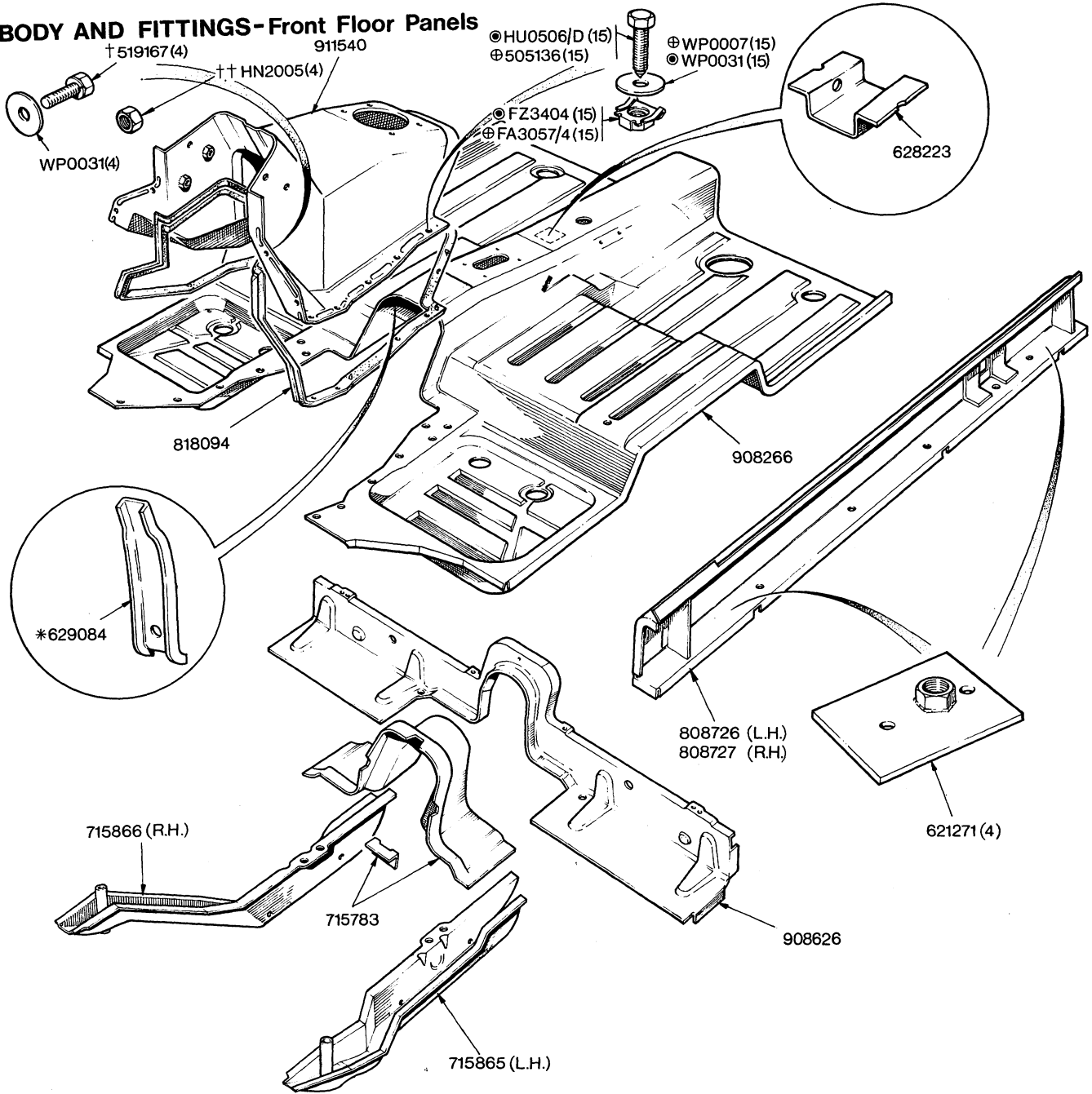
- * Two Headlamp cars only
- † Four Headlamp cars only
- ⊕ Fitted up to Body No. 2134 DG only
- ⊙ Fitted from Body No. 2135 DG and future
- ⊙ Items marked thus ⊙ may be used for all replacements
- 156805 Approval Plate, door lock 1off } France only
- 574820 Rivet, plate to engine bay panel 2off }
- 158295 Approval Plate (Self adhesive) all markets

TOLEDO

PLATE T2 (08-48)

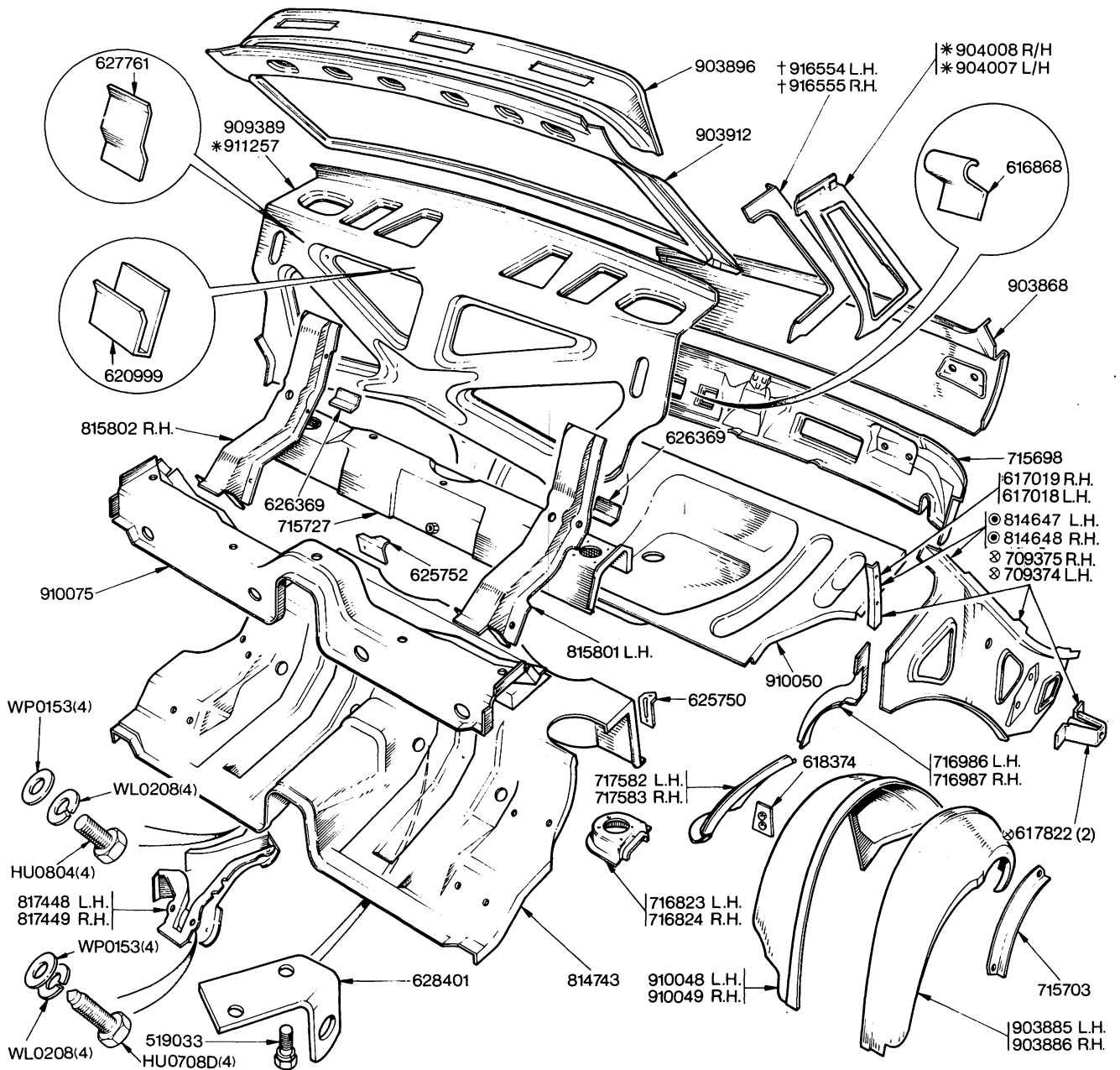
B1964/4

BODY AND FITTINGS-Front Floor Panels



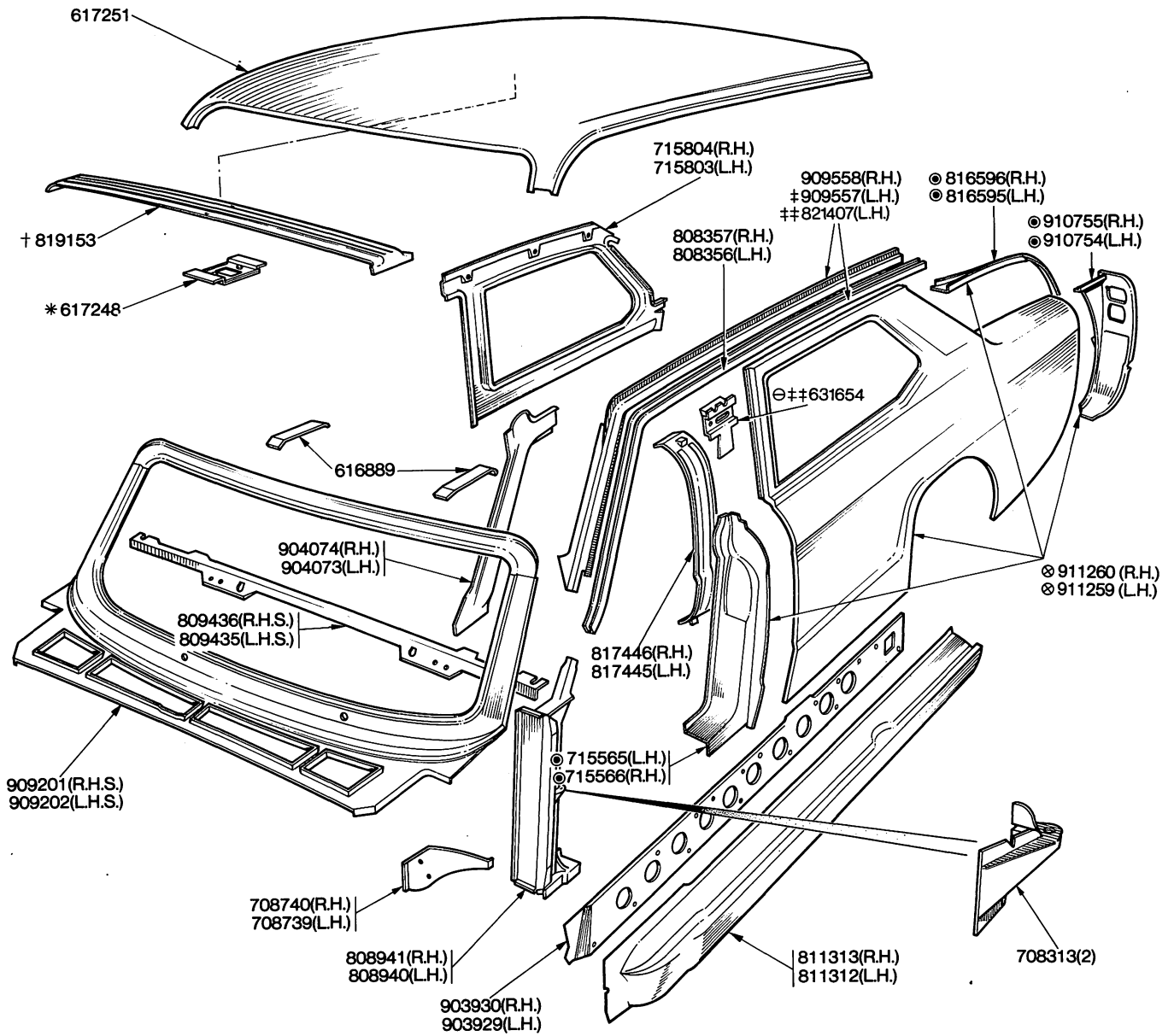
NOTE
 * Fitted up to Body No. 8677DG only
 † Fitted up to Body No. 5464DG R.H.S. and Body No. 12133DG L.H.S. only
 †† Fitted from Body No. 5465DG R.H.S. and Body No. 12134DG L.H.S. and future
 ● Fitted up to Trim Body No. T6276DG only
 ⊕ Fitted from Trim Body No. T6277DG and future

BODY AND FITTINGS - Rear Floor, Squab Support and Rear Valance Panel



NOTE
 Items marked thus * are fitted on Four Door vehicles only
 Items marked thus † are fitted on Two Door vehicles only
 © Fitted on all Two Door and Four Door Vehicles with normal type Bumpers
 ⊗ Fitted on R.H.S. Four Door Vehicles with wrap-round type Bumpers

BODY AND FITTINGS—Windscreen Frame, Roof, Sills, 'A' Post, Tonneau Side.



NOTE

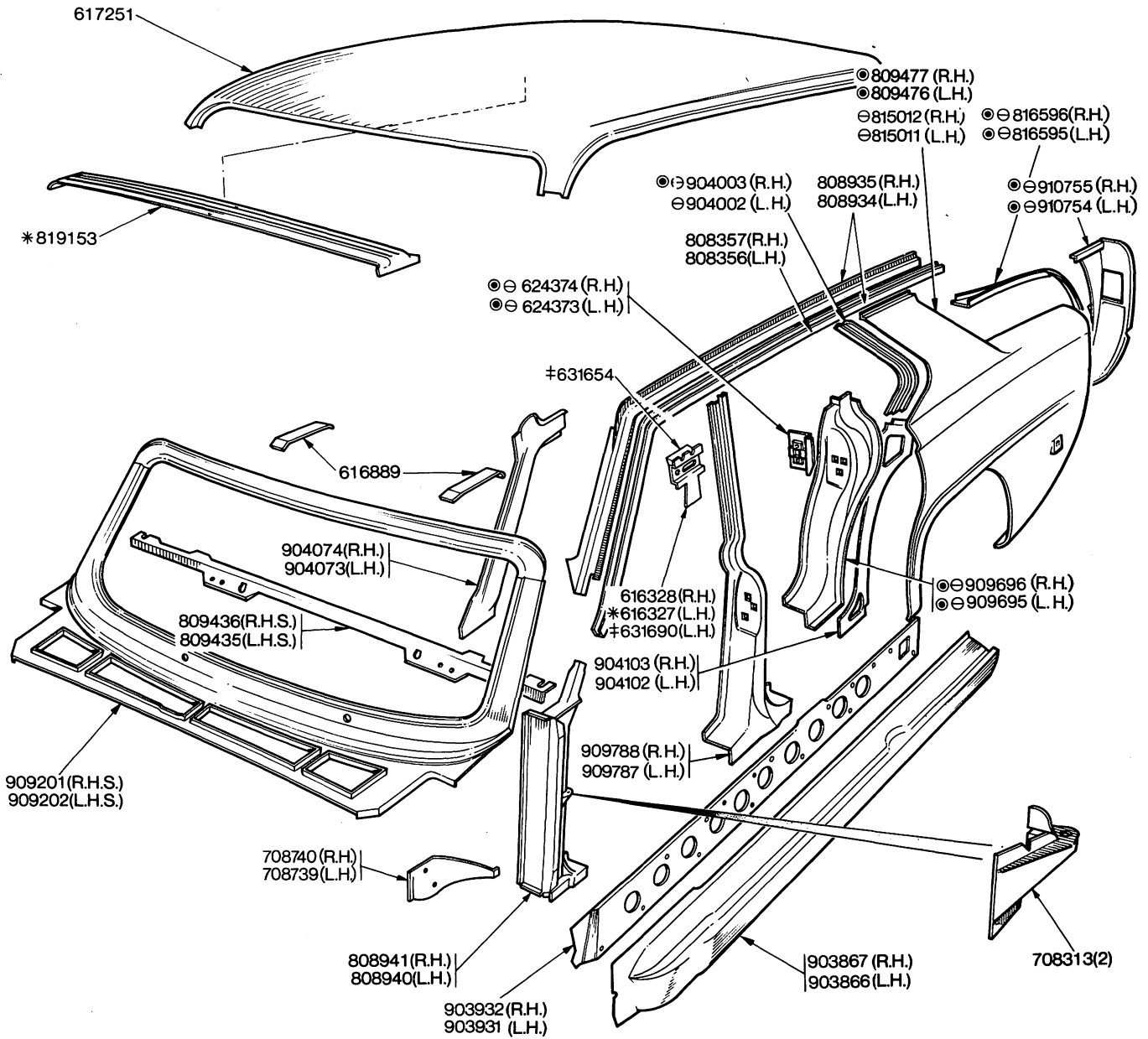
* Fitted up to Body No. 603DG only
 † Fitted from Body No. 604DG up to Body No. 604DG only
 ⊗ 911260 Rear Tonneau Side Assembly R.H. } Comprising items marked thus ⊗
 ⊗ 911259 Rear Tonneau Side Assembly L.H. }
 ‡ Fitted up to Body No. 604DG only
 ‡‡ Fitted from Body No. 604DG and future
 Item marked thus ⊖ is part of 821407

TOLEDO—2 DOOR

PLATE T5 (08—51)

B1967/4

BODY AND FITTINGS—Windscreen Frame, Roof, Sills, 'A' Post, 'BC' Post, Tonneau Side



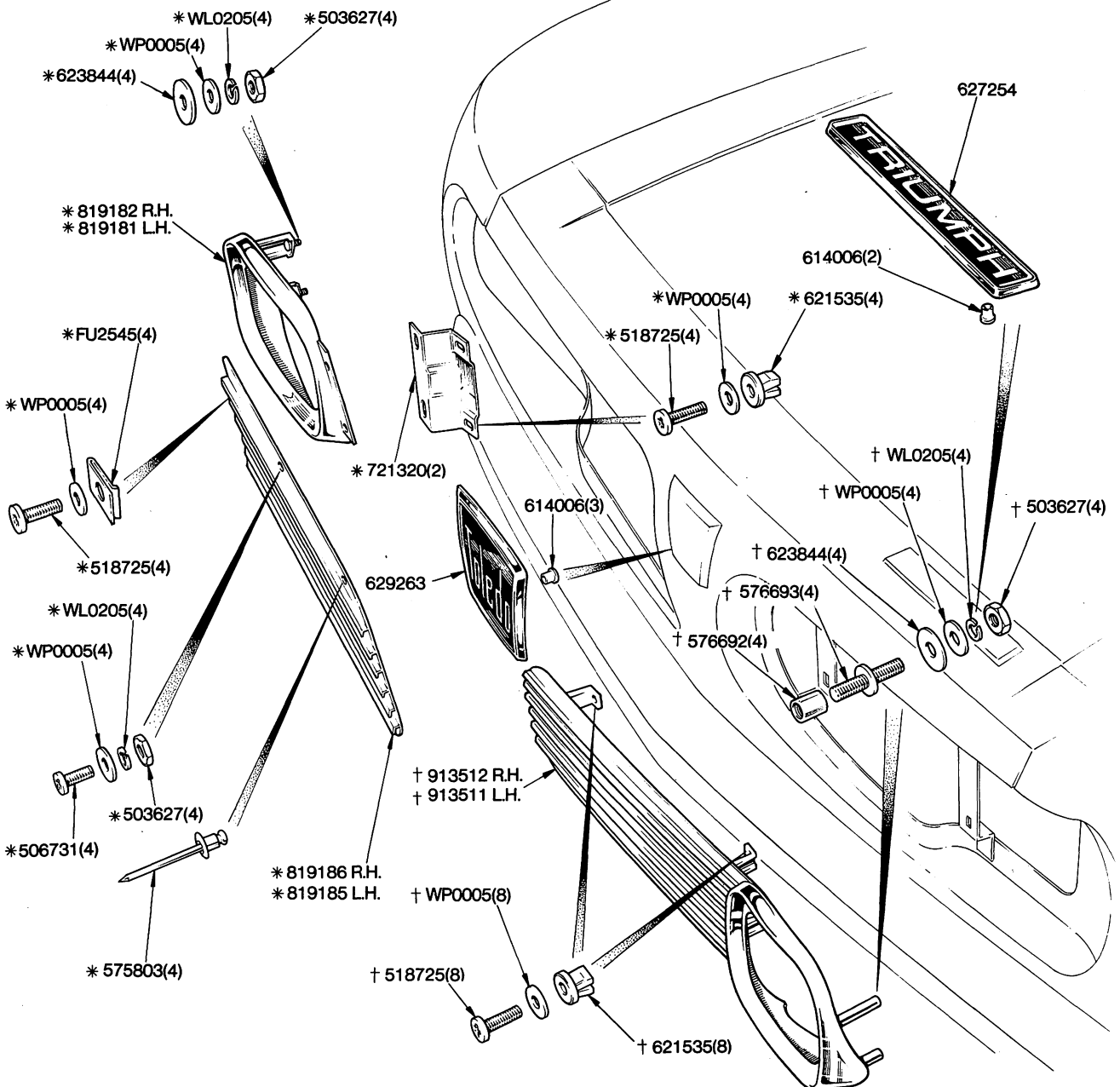
NOTE.

911046	Tonneau Side Assembly R.H.	} Fitted on all L.H.S. vehicles and up to Commission No ADF5000 only on R.H.S. vehicles
911045	Tonneau Side Assembly L.H.	
Comprising items indicated ⊖		
625074	Tonneau Side Assembly R.H.	} Fitted from Commission No. ADF5001 and future on R.H.S. vehicles (wrap round Bumper condition)
625073	Tonneau Side Assembly L.H.	
Comprising items indicated ⊙		

*Fitted up to Body No. 20992 DK only
‡Fitted from Body No. 20993 DK and future

TOLEDO-4 DOOR **PLATE T5a (08-52)** **B2123/3**

BODY AND FITTINGS- Frontal Grille, Two Headlamp

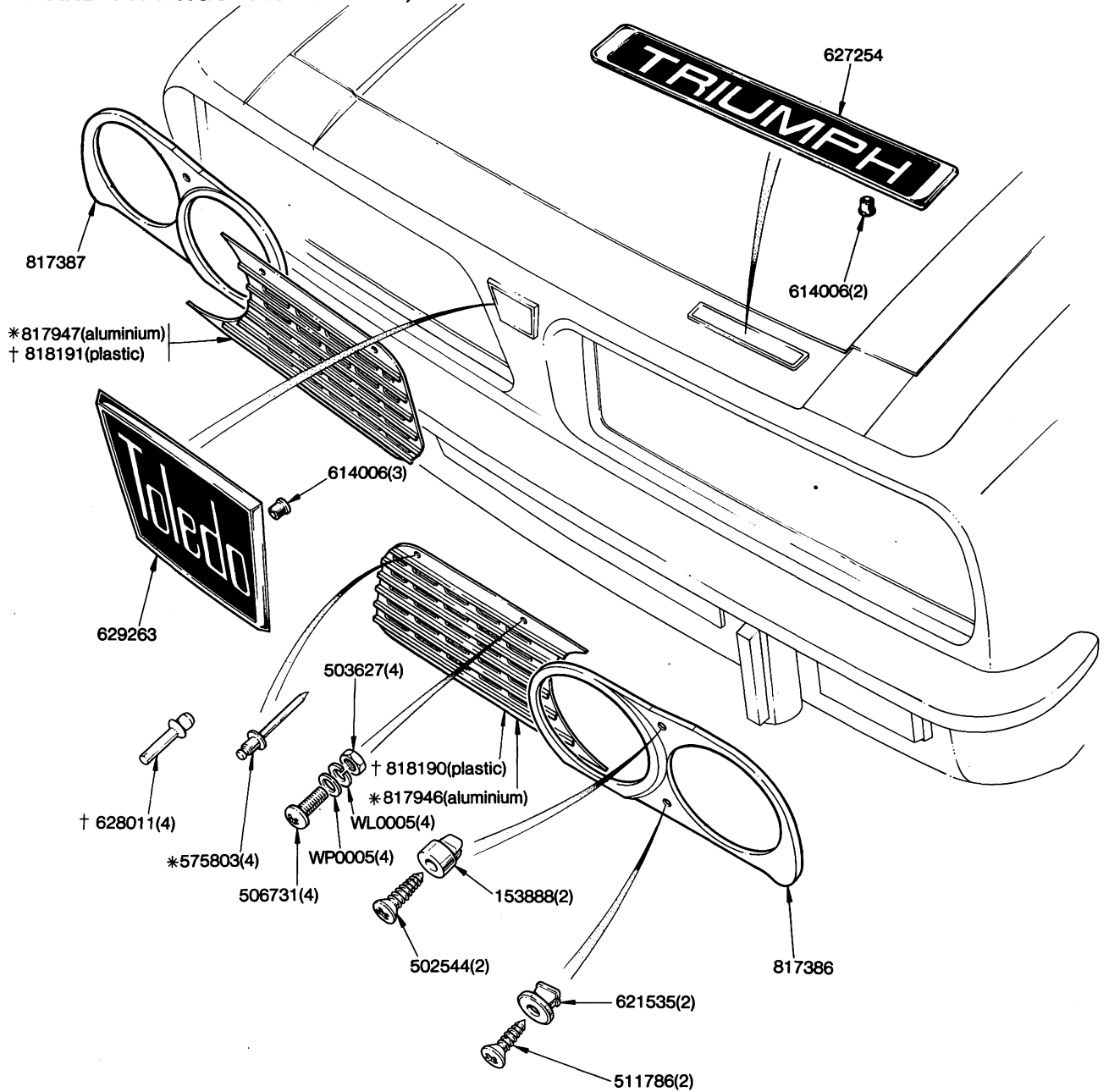


NOTE:
 Items marked thus * are fitted up to Trim Body No. T1820DG only (For replacement use Kit Assy 577221)
 Items marked thus † are fitted from Trim Body No. T1821DG and future
 If fitted in car sets items marked thus † may be used for all replacements

TOLEDO (2 HEADLAMP) **PLATE T6 (08-53)**

B1921/4

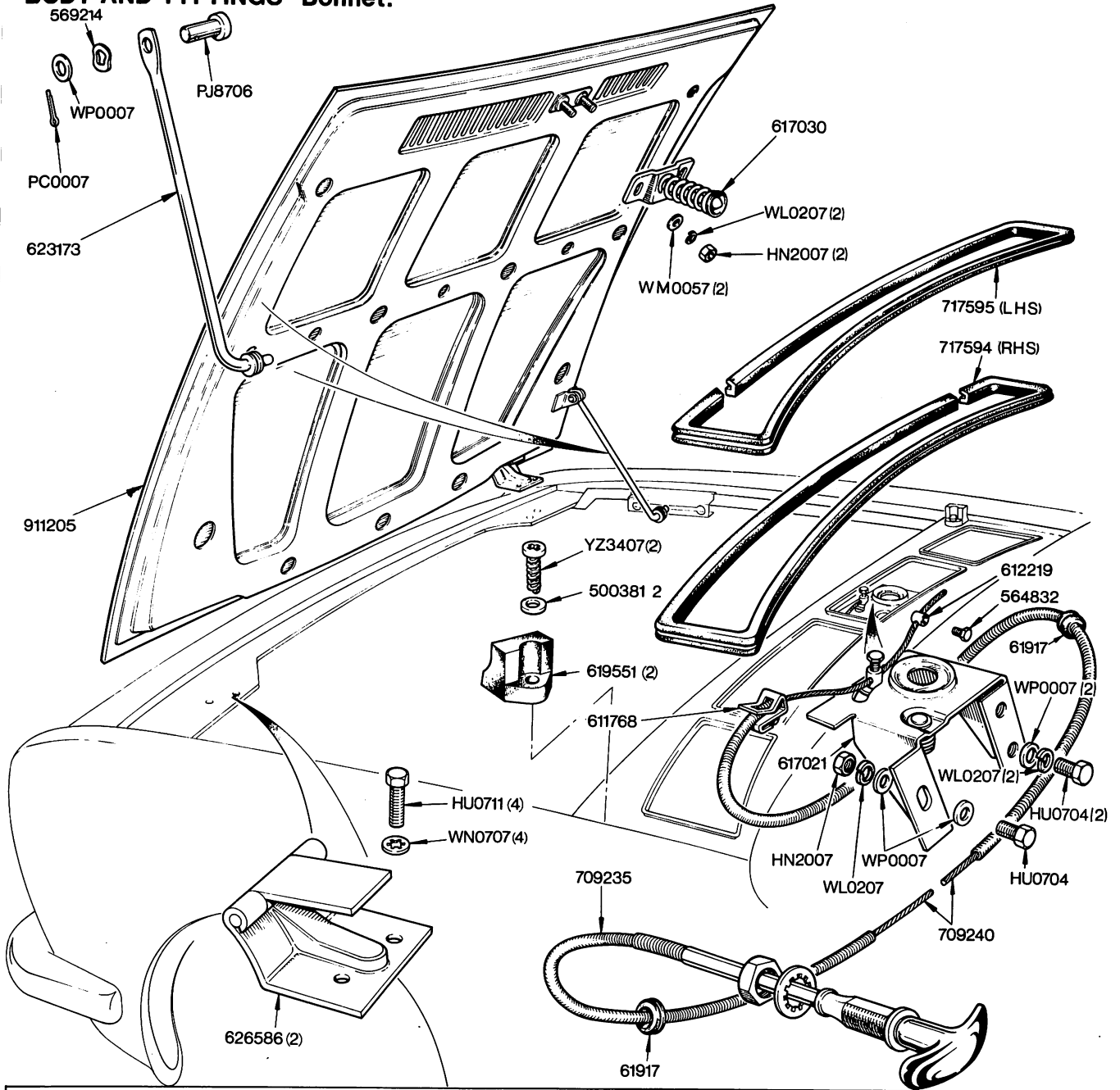
BODY AND FITTINGS- Frontal Grille, Four Headlamp



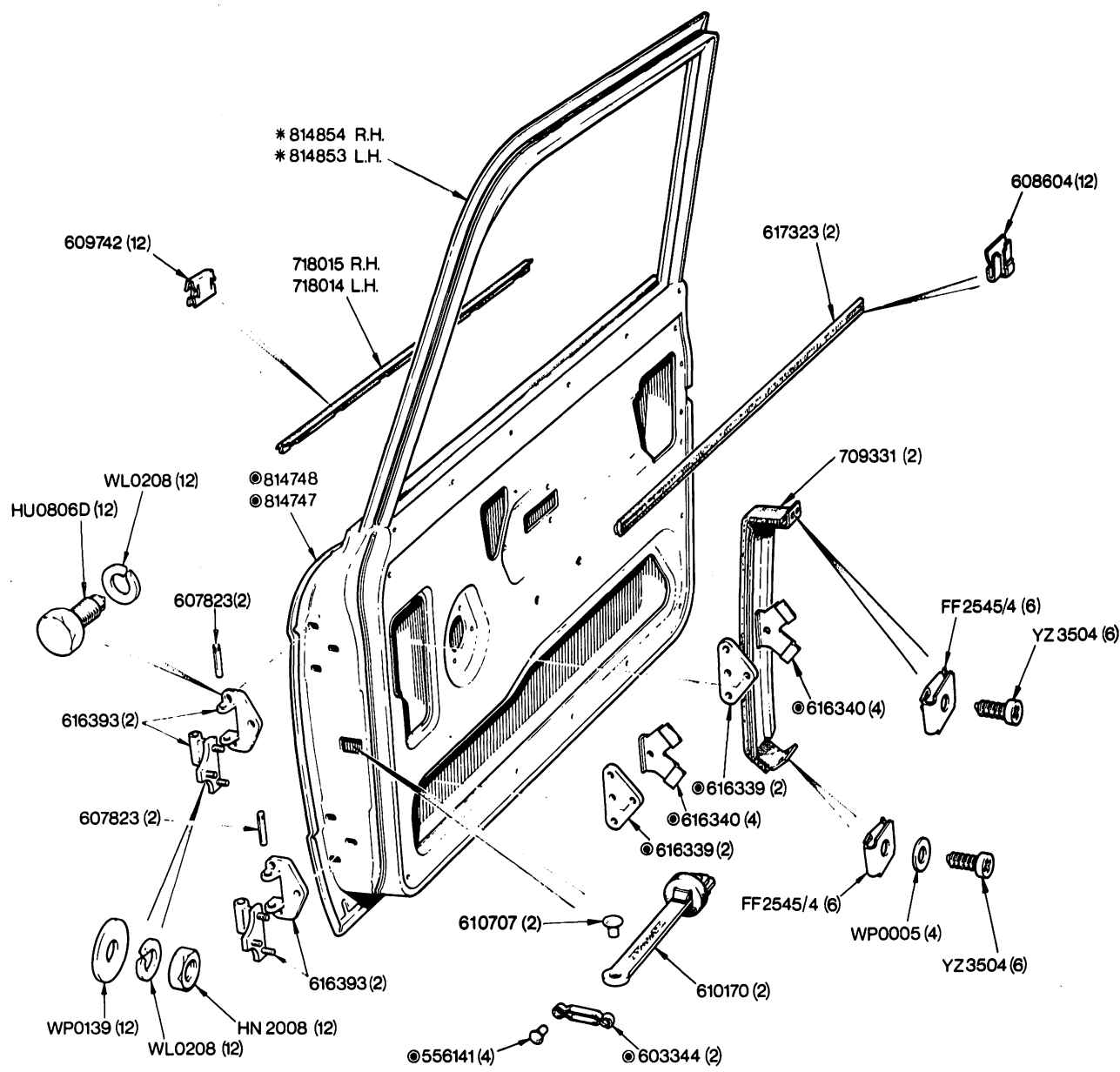
NOTE:-
 Items marked thus * are fitted up to Body No. only
 Items marked thus † are fitted from Body No. and future
 If fitted in car sets items marked thus † may be used for all replacements

TOLEDO (4 HEADLAMP) PLATE T7(08-54) B1922/4

BODY AND FITTINGS-Bonnet.



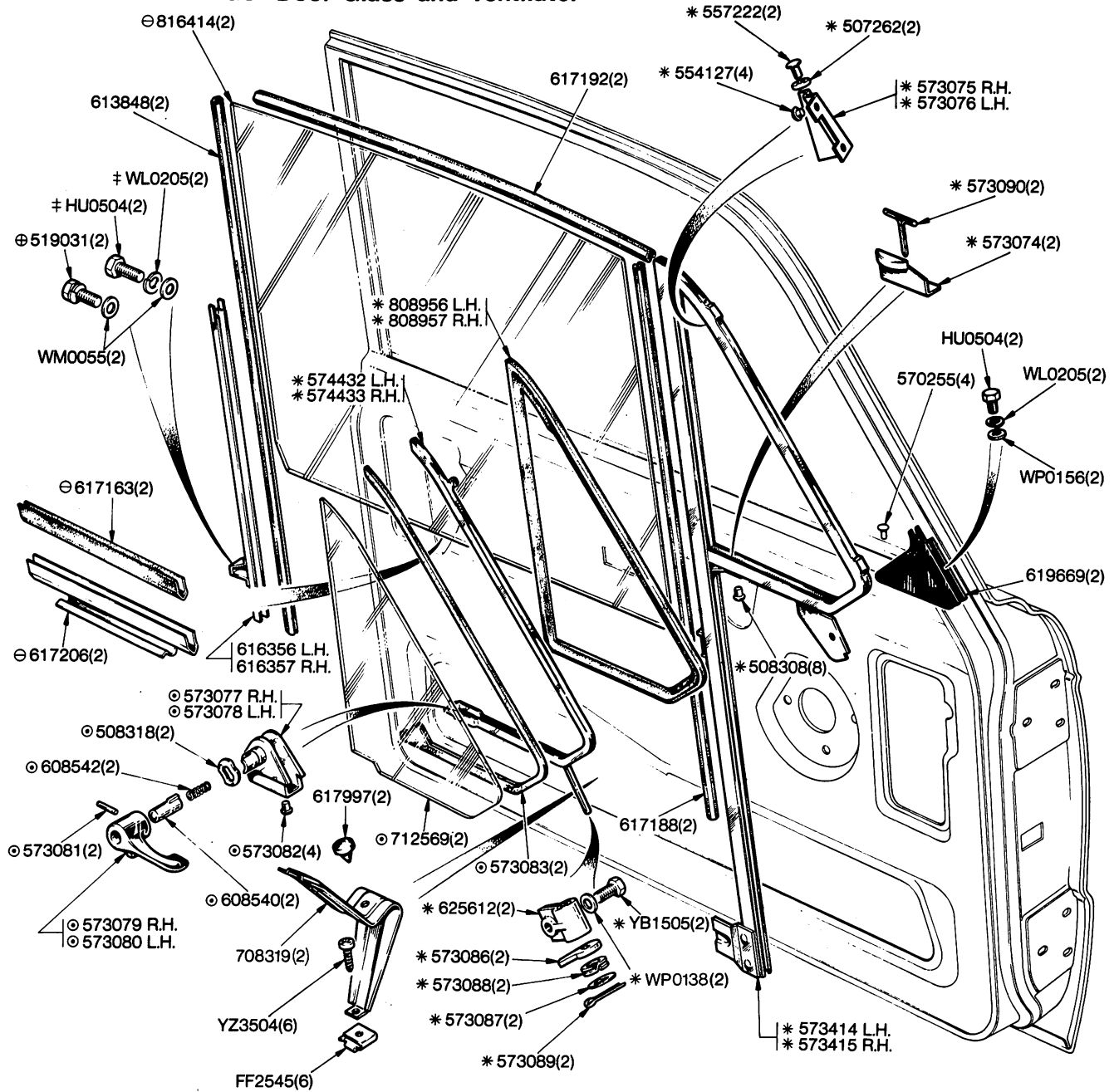
BODY AND FITTINGS-Door Assembly



NOTE

- * 814854 Door Assembly R.H. } Comprising items indicated thus ●
- * 814853 Door Assembly L.H. }
- 814748 Outer Panel, R.H. Door
- 814747 Outer Panel, L.H. Door

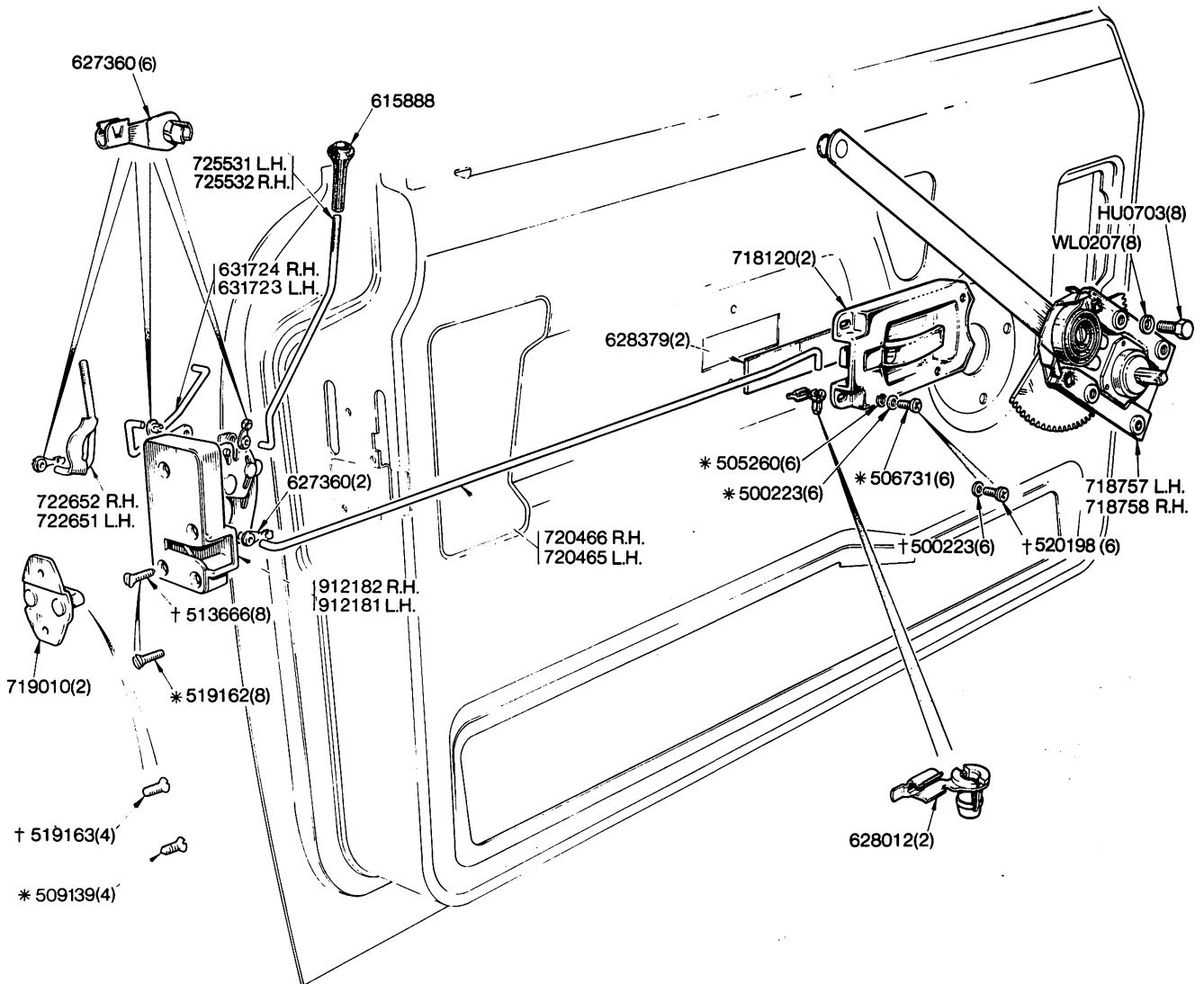
BODY AND FITTINGS - Door Glass and Ventilator



NOTE

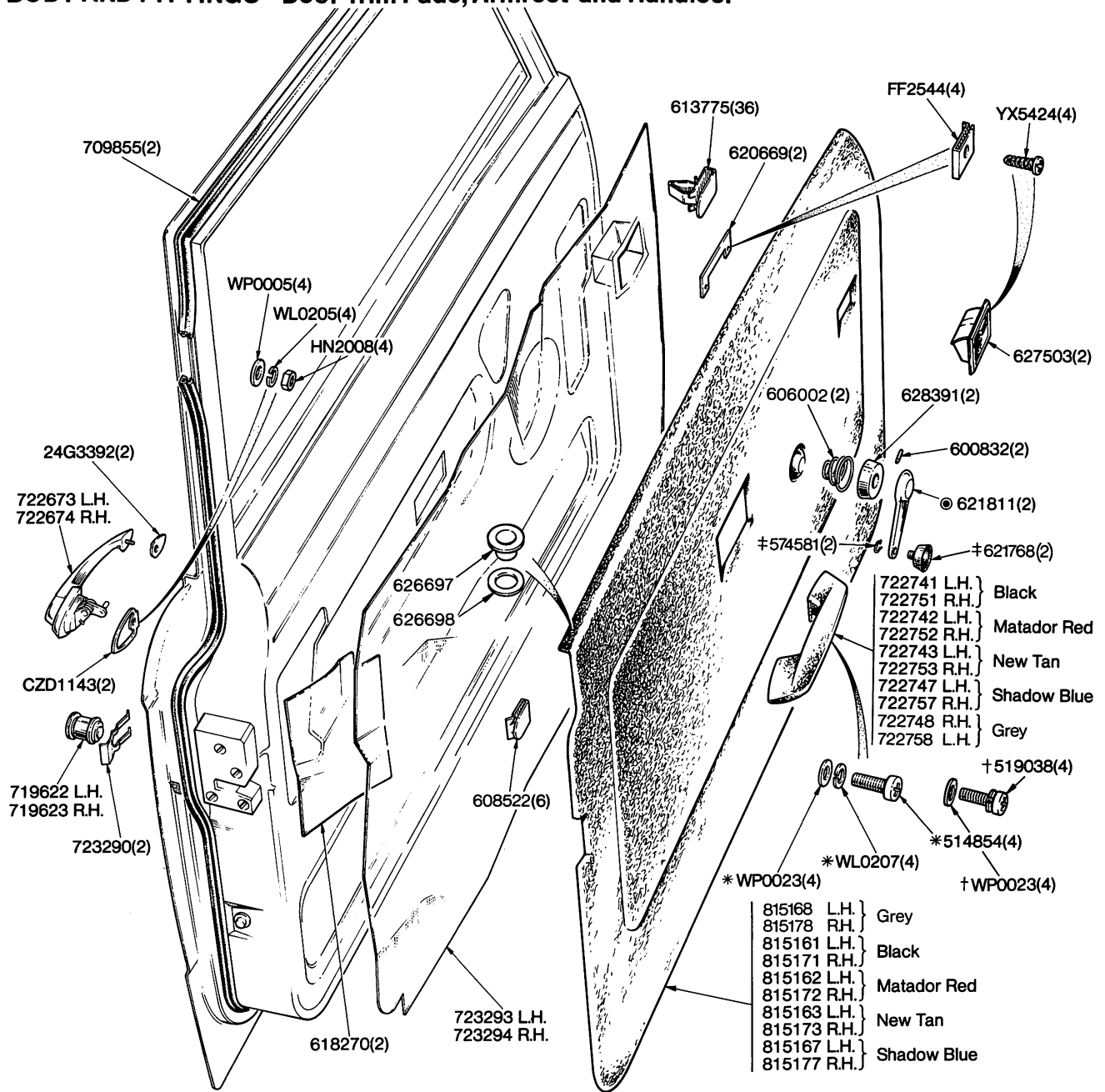
810302	No-Draught Ventilator Assembly R.H.	1 off	} Comprising items marked thus *
810301	No-Draught Ventilator Assembly L.H.	1 off	
* 574433	Frame Assembly, inner, glazed R.H.	1 off	} Includes items marked thus ⊗
* 574432	Frame Assembly, inner, glazed L.H.	1 off	
⊕	Alternative to item marked thus ⊗		
721406	Front Door Glass and Regulator Channel Assembly R.H.	1 off	} Comprising items marked thus ⊕
721405	Front Door Glass and Regulator Channel Assembly L.H.	1 off	

BODY AND FITTINGS—Door Lock and Window Regulator.



NOTE
 * Alternative to details marked thus †
 † Alternative to details marked thus. *

BODY AND FITTINGS—Door Trim Pads, Armrest and Handles.



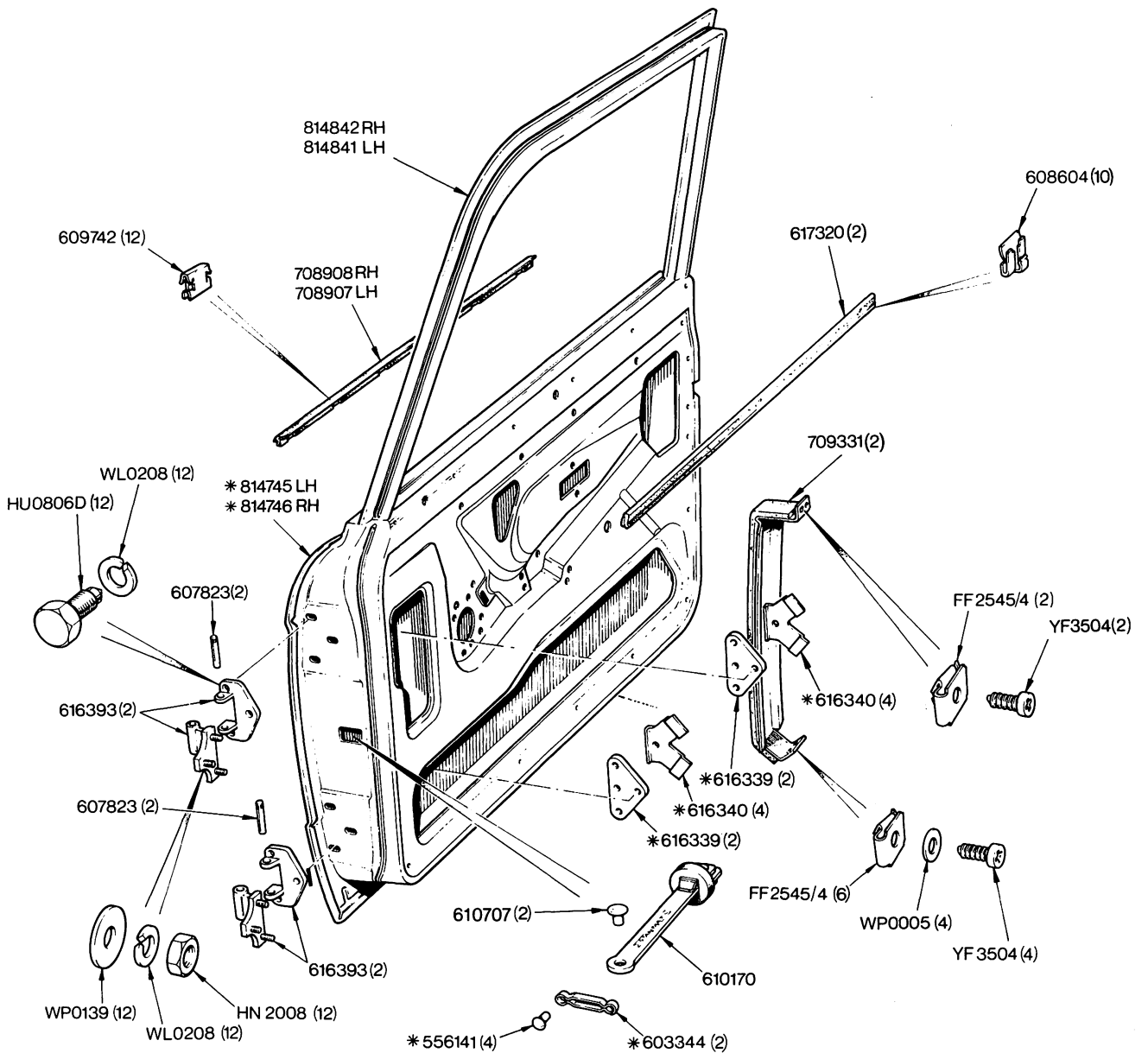
NOTE
 *Alternative to details marked thus †
 ©Comprising items marked thus ‡

820711	Lock Set Assembly R.H.S	1 off	} Wilmot Breeden Type
820712	Lock Set Assembly L.H.S	1 off	
577241	Lock Set Assembly R.H.S.	1 off	} C. E. Marshall Type
577242	Lock Set Assembly L.H.S.	1 off	

(Above details comprise Steering Column and Door Private Lock)

TOLEDO 2 DOOR **PLATE T12 (08-59)** **B1973/4**

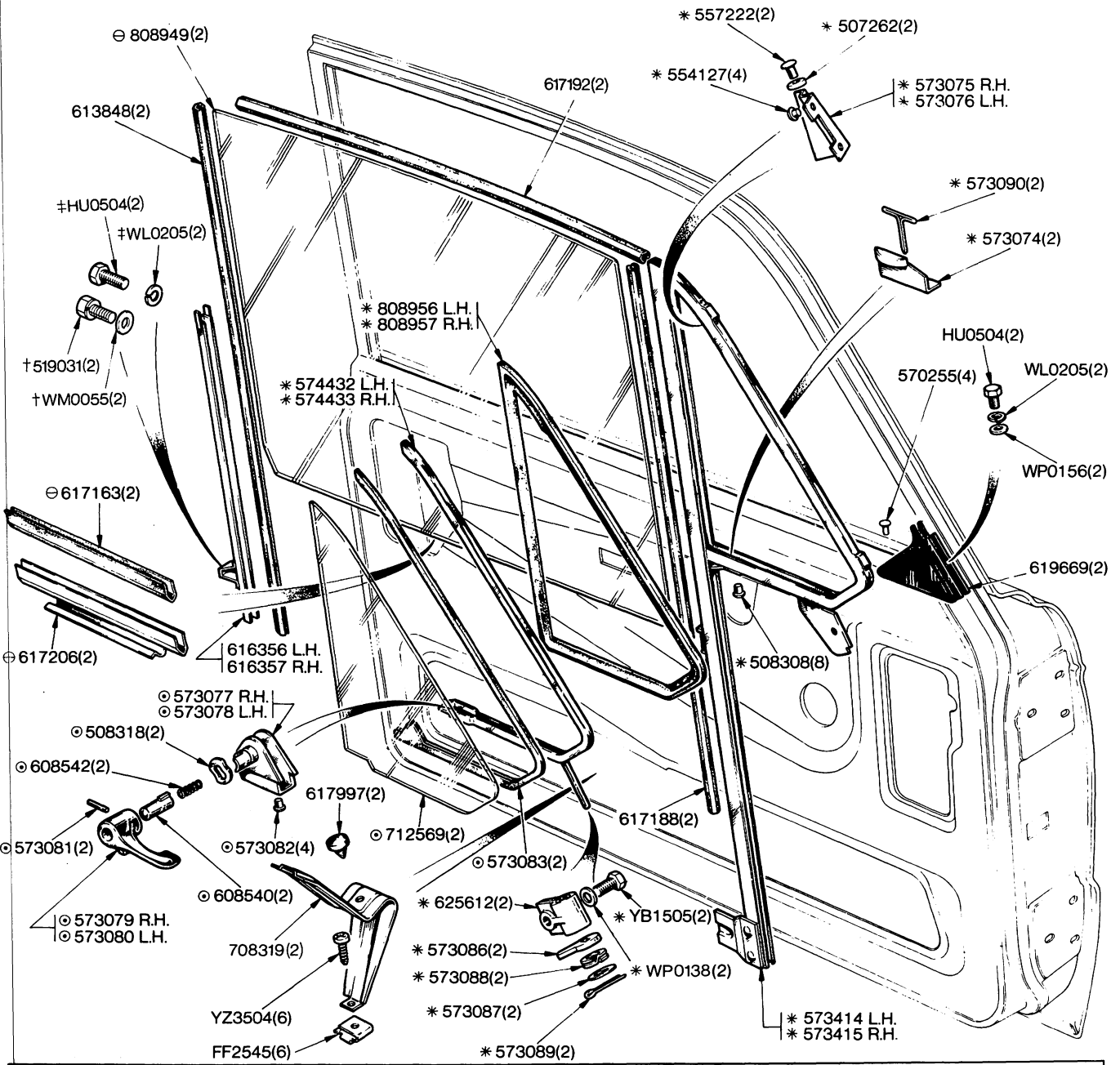
BODY AND FITTINGS - Front Door Assembly



NOTE

814842 RH }
 814841 LH } Front Door Assembly comprising items marked thus *
 814745 Door Outer Panel LH
 814746 Door Outer Panel RH

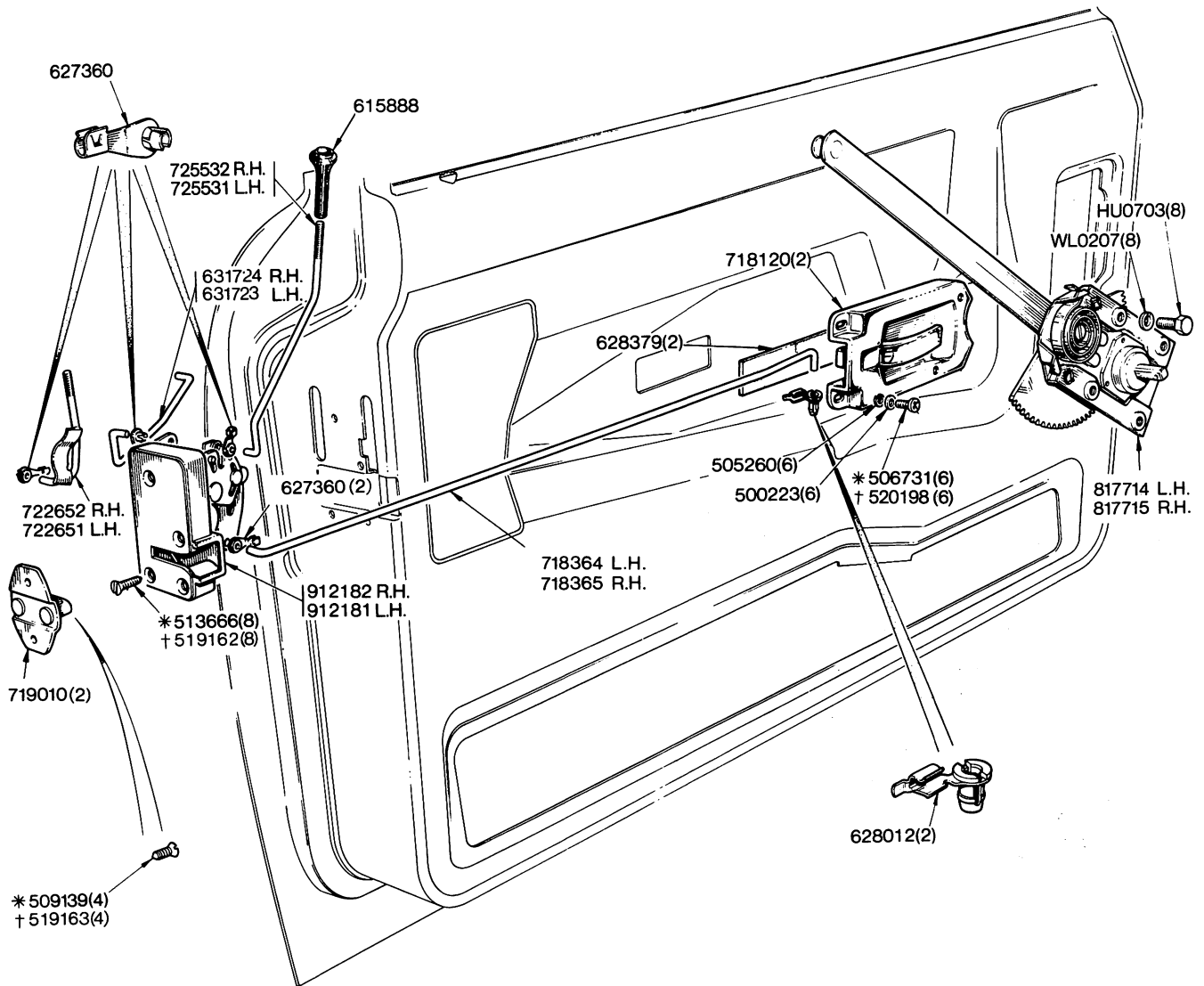
BODY AND FITTINGS - Front Door Glass and Ventilator



NOTE

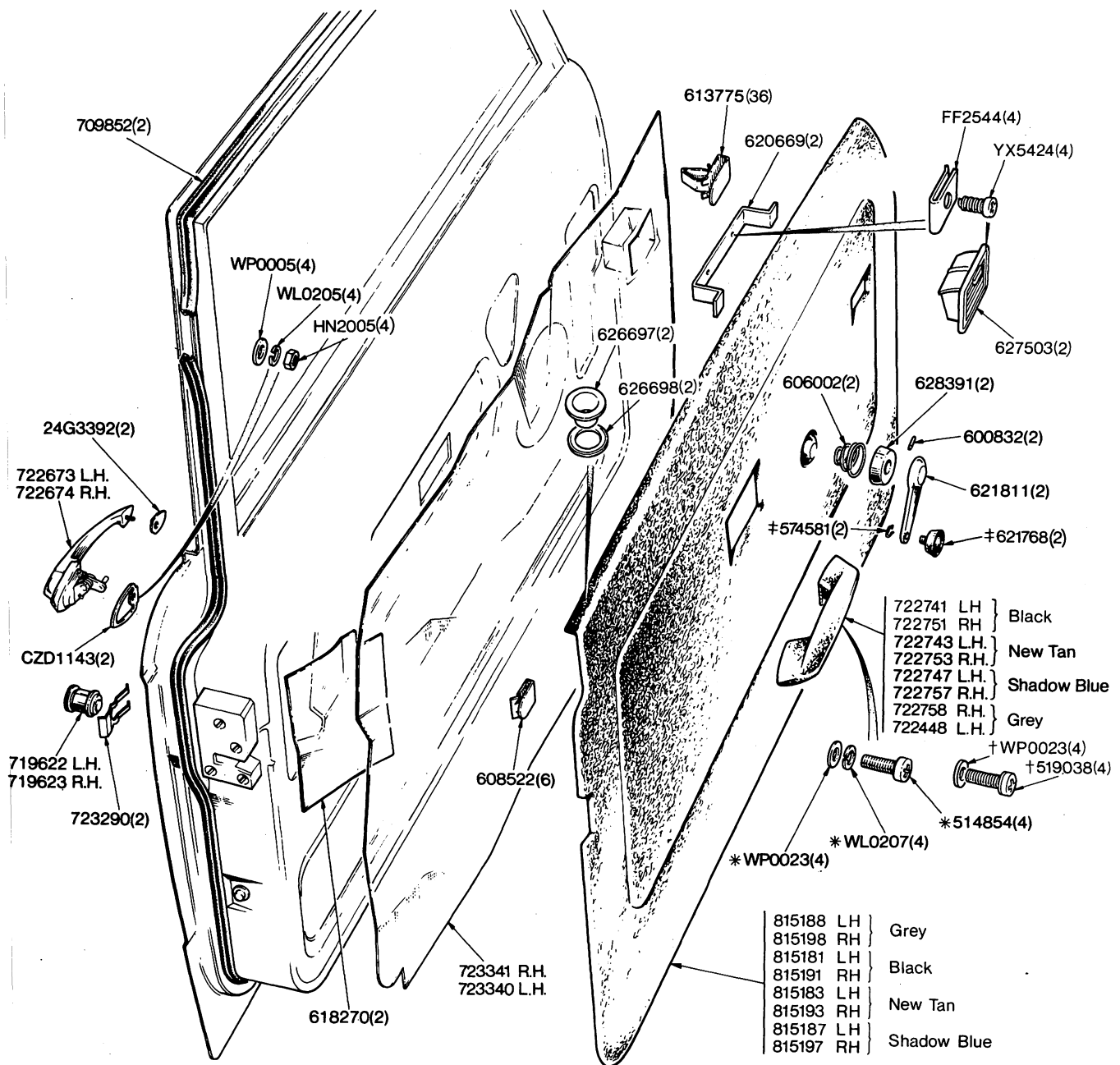
810302	No-Draught Ventilator Assembly R.H.	1 off	} Comprising items marked thus *
810301	No-Draught Ventilator Assembly L.H.	1 off	
* 574433	Frame Assembly, inner, glazed R.H.	1 off	} Includes items marked thus ⊙
* 574432	Frame Assembly, inner, glazed L.H.	1 off	
708818	Front Door Glass and Regulator Channel Assembly R.H.	1 off	} Comprising items marked thus ⊖
708817	Front Door Glass and Regulator Channel Assembly L.H.	1 off	
† Alternative to items marked thus ‡			

BODY AND FITTINGS – Front Door Lock and Window Regulator



NOTE
Items marked thus * are alternative to items marked †

BODY AND FITTINGS - Front Door Trim Pads, Armrest and Handles



NOTE

‡ Part of Handle Assembly 621811

820711 Lock Set Assembly R.H.S. } Wilmot Breedon Type

820712 Lock Set Assembly L.H.S. }

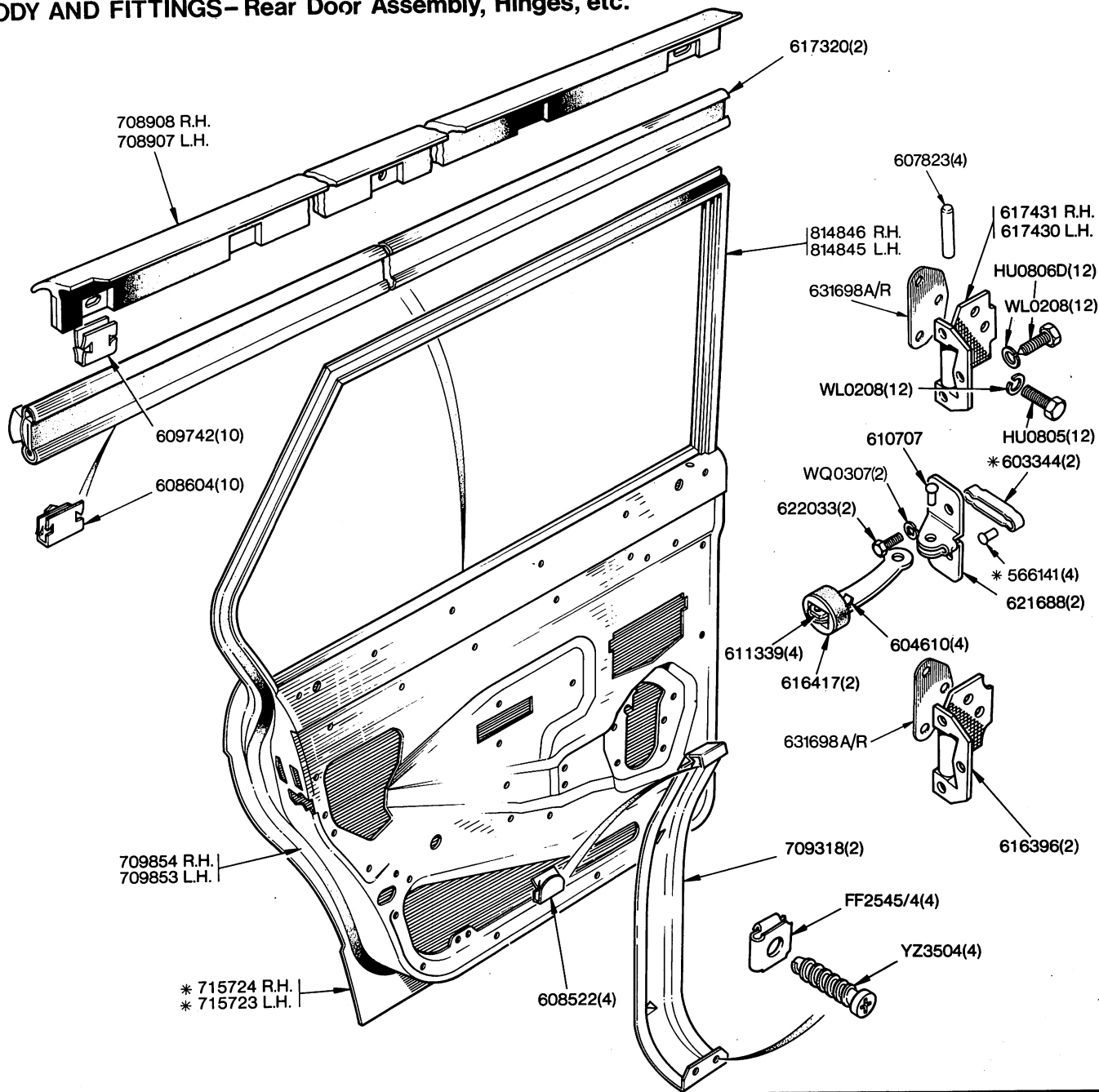
577241 Lock Set Assembly R.H.S. } C. E. Marshall Type

577242 Lock Set Assembly L.H.S. }

(ABOVE DETAILS COMPRISE STEERING COLUMN AND DOOR PRIVATE LOCK)

*Alternative to ‡

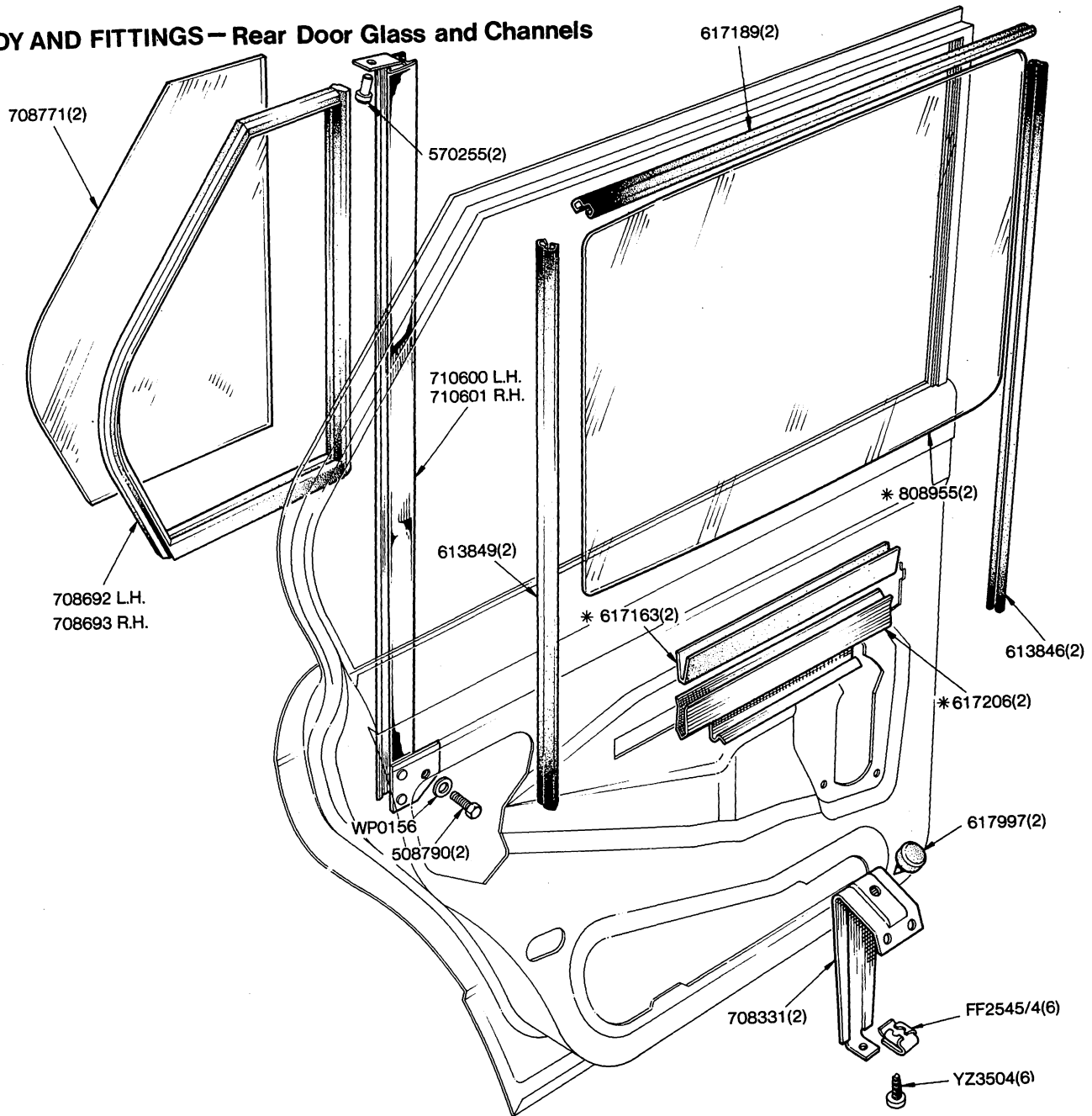
BODY AND FITTINGS—Rear Door Assembly, Hinges, etc.



NOTE.

- *715724 Panel, Outer, Rear Door, R.H. 1 off
- *715723 Panel, Outer, Rear Door, L.H. 1 off
- 814846 Rear Door Assembly R.H. } Comprising items marked *
- 814845 Rear Door Assembly L.H. }

BODY AND FITTINGS – Rear Door Glass and Channels



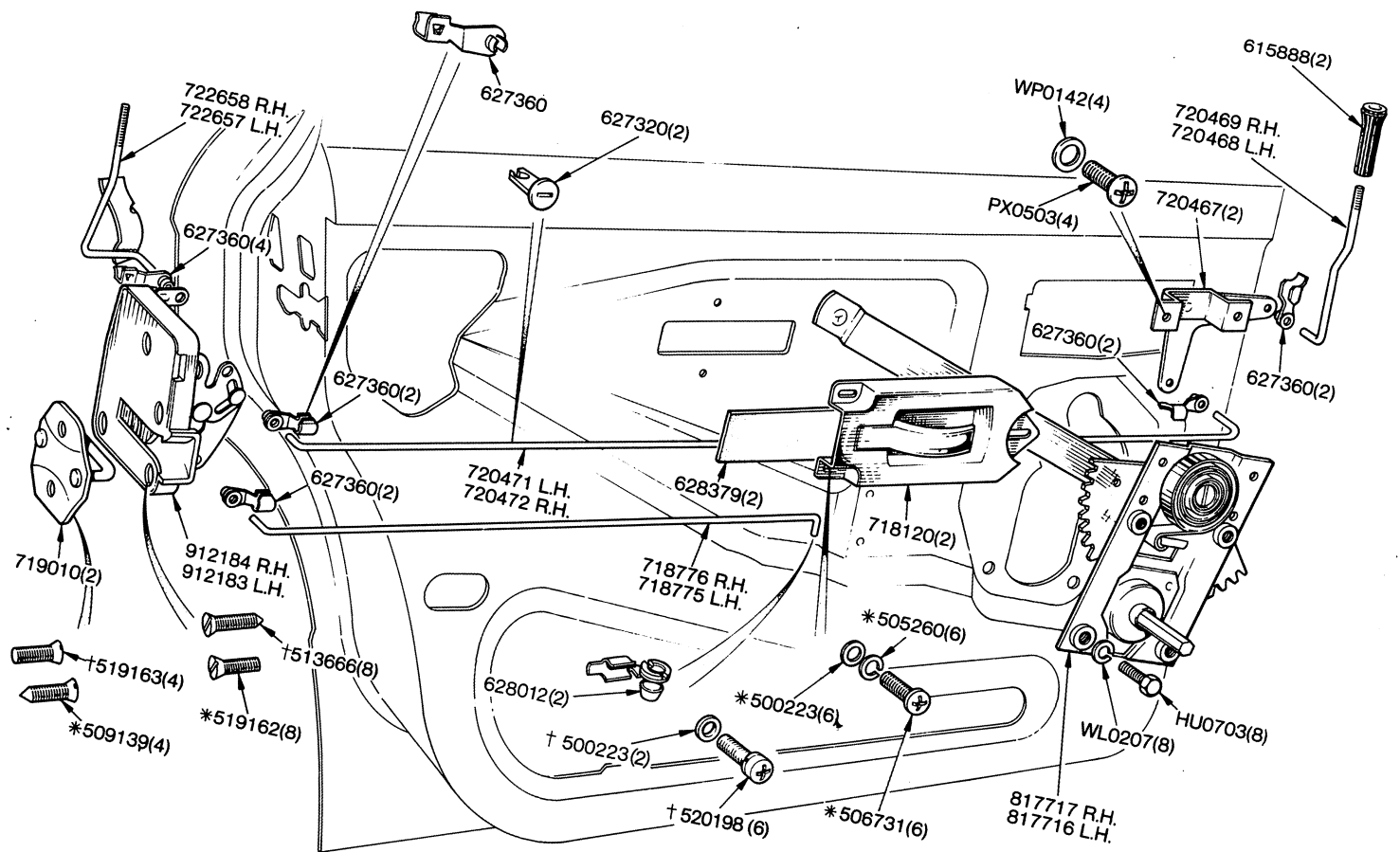
NOTE
 708826 Rear Door Glass and Regulator Channel Assembly R.H. 1 off } Comprising items marked thus *
 708825 Rear Door Glass and Regulator Channel Assembly L.H. 1 off }

TOLEDO 4 DOOR

PLATE T12f (08-65)

B2129/3

BODY AND FITTINGS--Rear Door Lock, Remote Control and Window Regulator



NOTE.

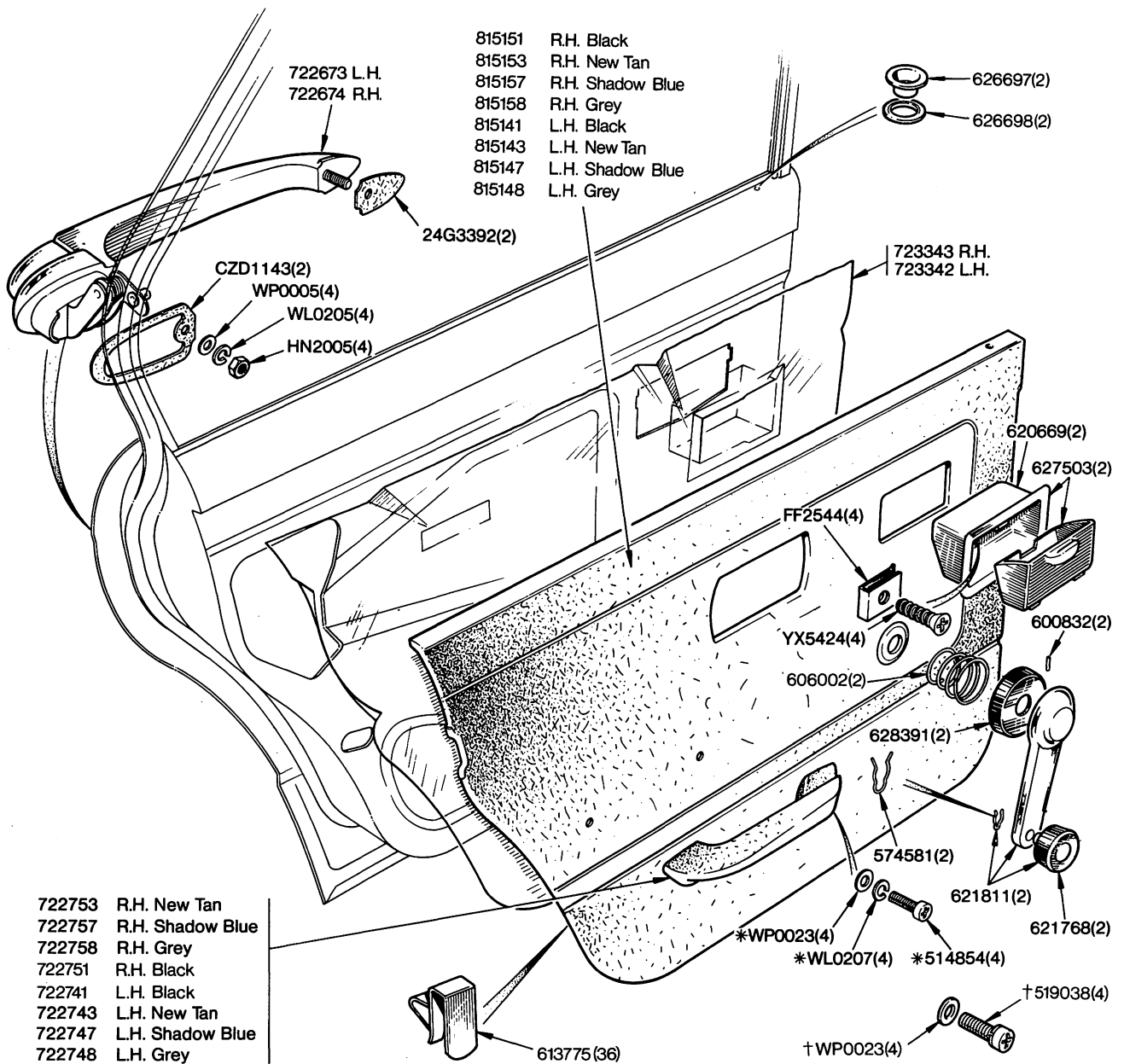
† Alternative to details marked thus *

TOLEDO 4 DOOR

PLATE T12g (08-66)

B2130/3

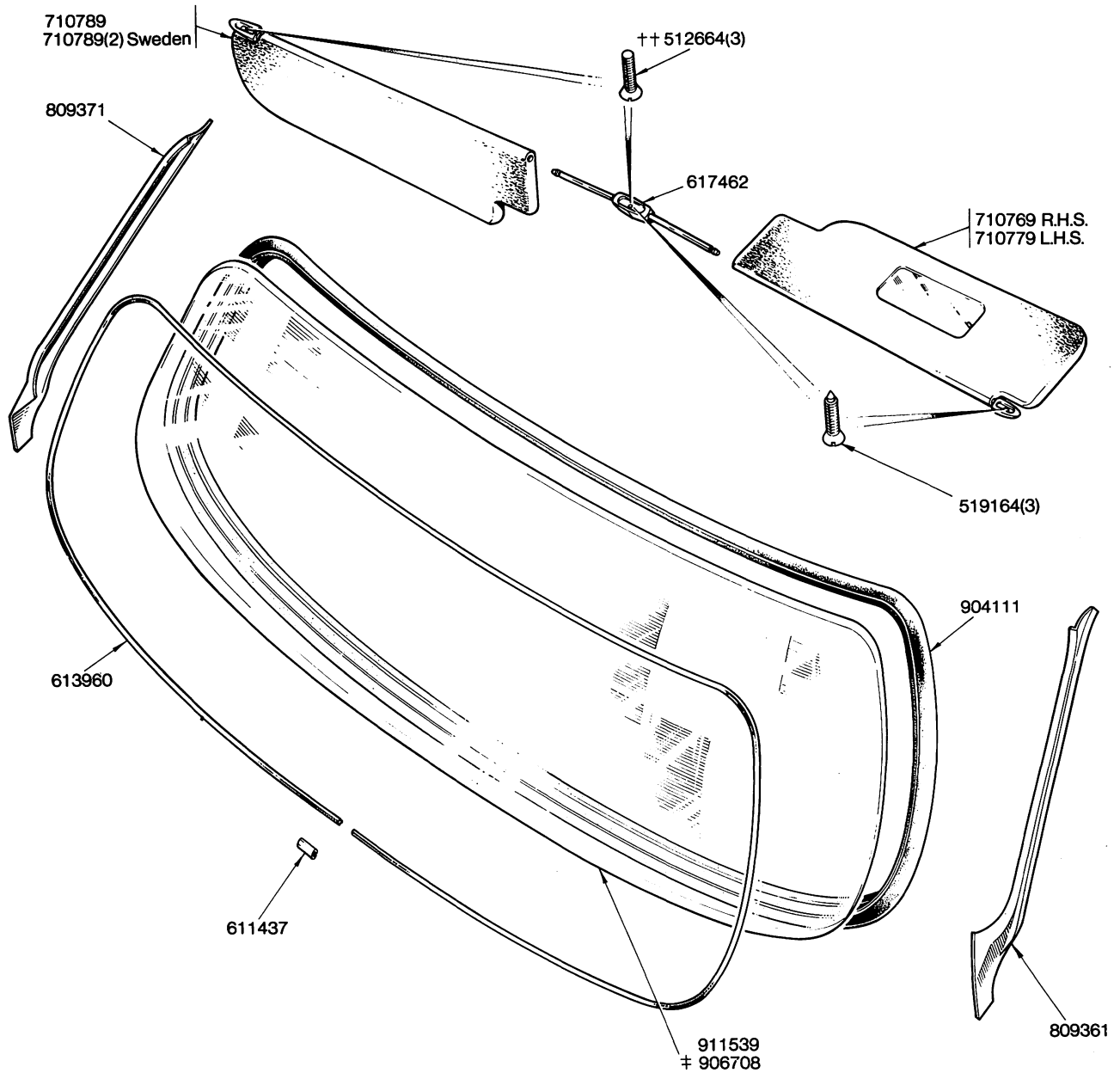
BODY AND FITTINGS- Rear Door Trim Pads, Armrest and Handles.



NOTE.

Items marked thus * are alternative to item marked †

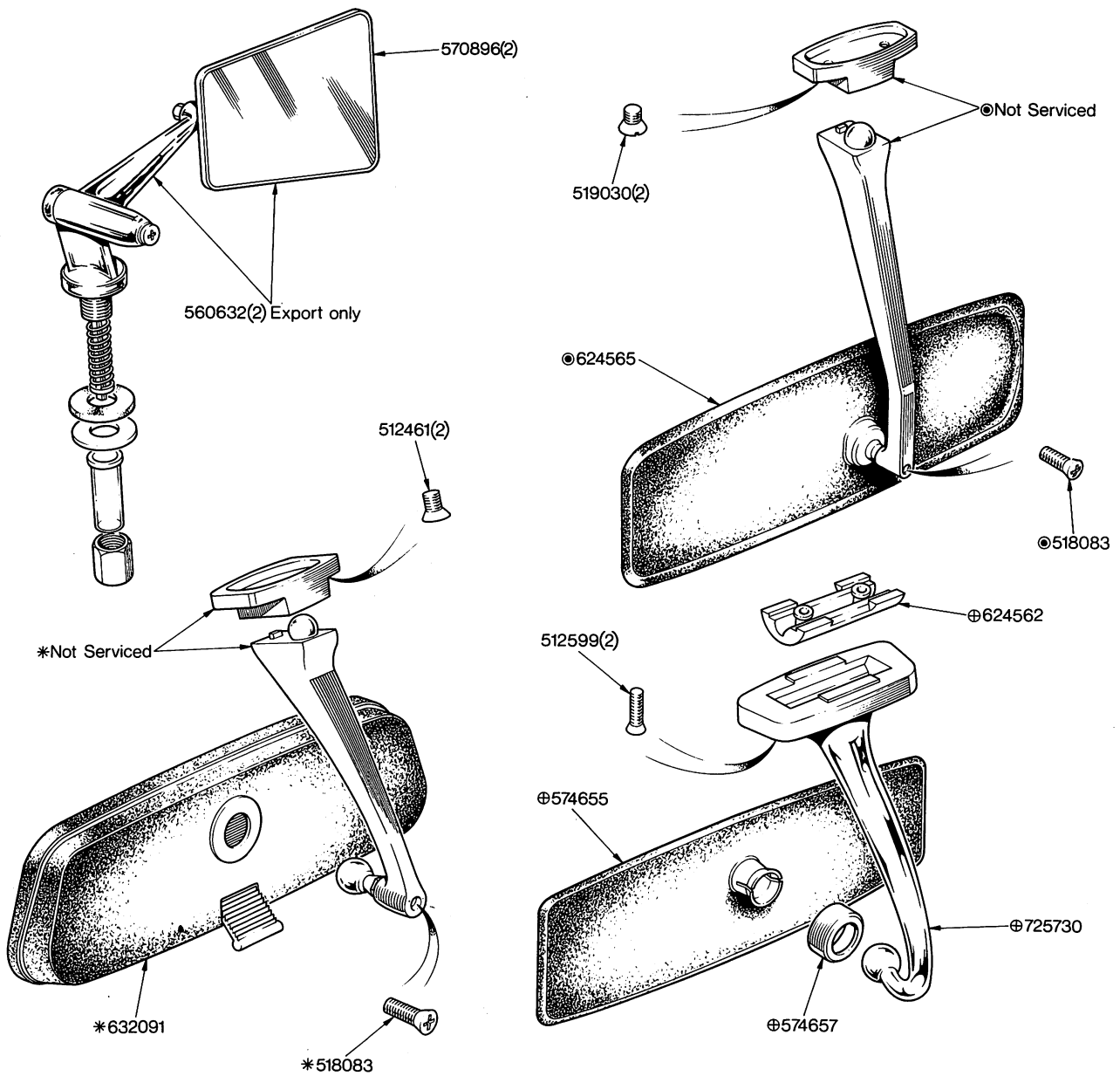
BODY AND FITTINGS—Windscreen, Sun Visors



NOTE.
 † 906708 Windscreen glass-laminated high impact interlayer 1 off
 (Norway special orders)

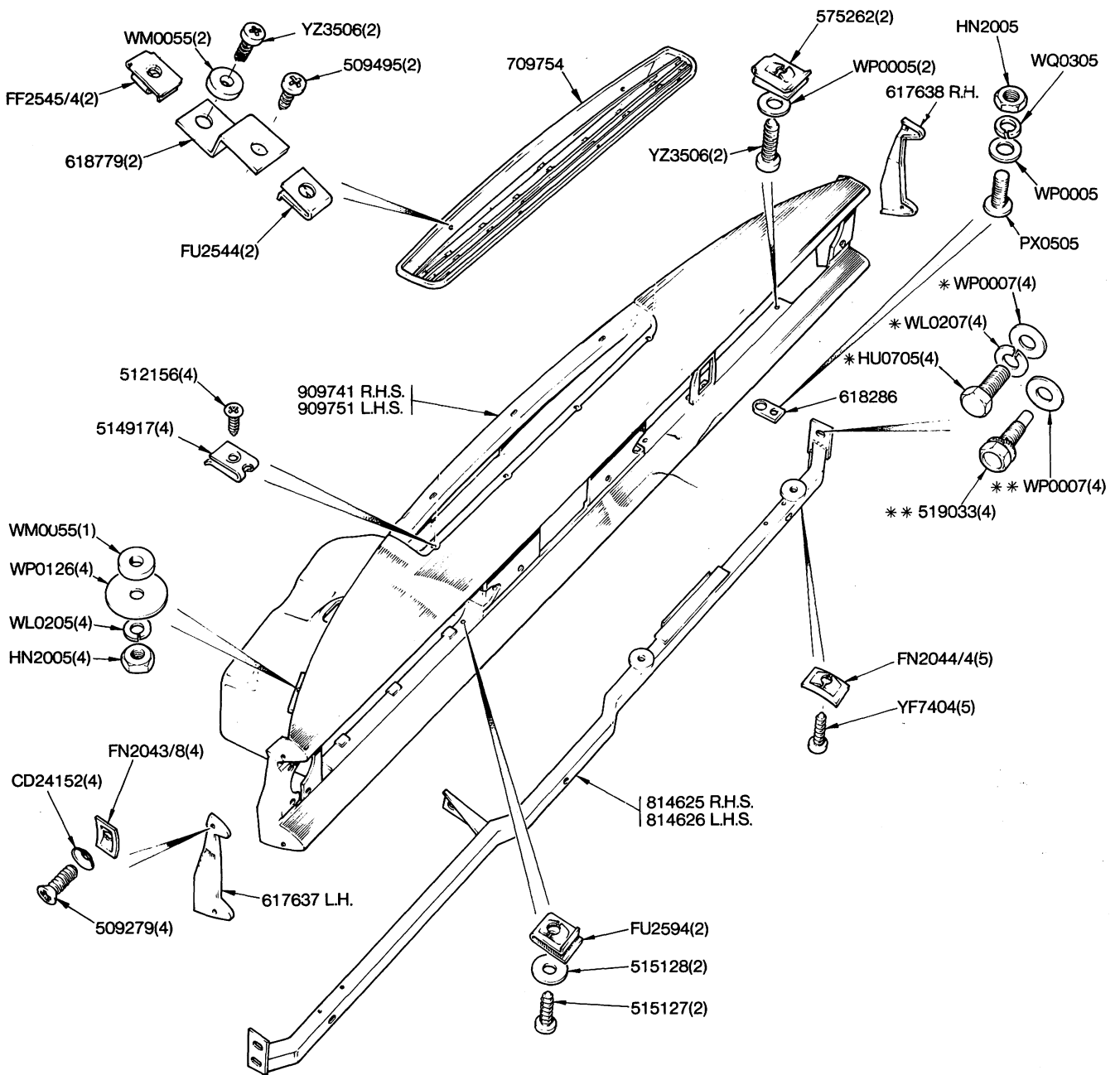
TOLEDO PLATE T13(08-68) B1949/4

BODY AND FITTINGS-Mirrors



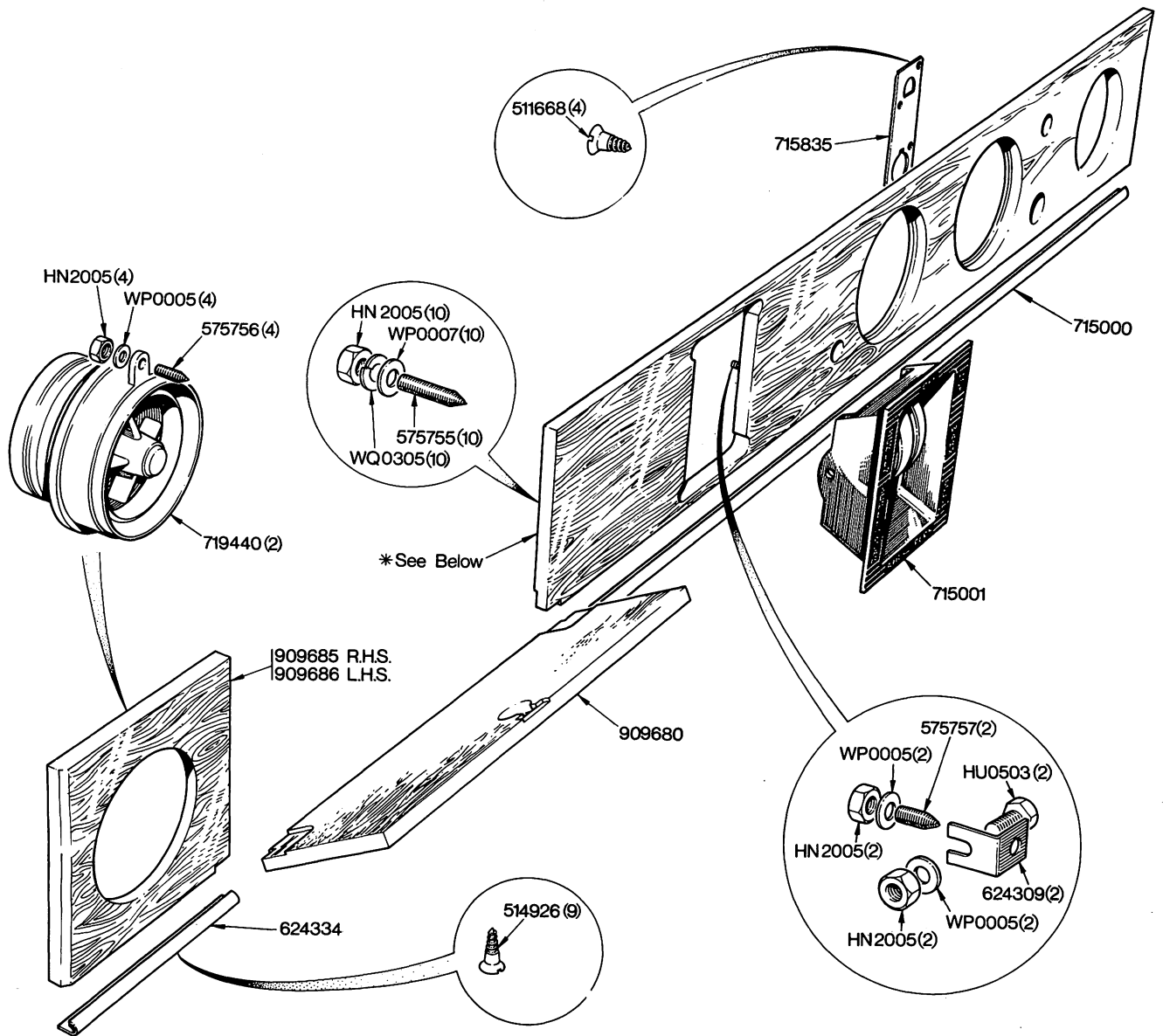
NOTE			
631401	Interior Mirror Assembly (Comprising items ©)	1 off	} Alternatives
631631	Interior Mirror Assembly (Comprising items ⊕)	1 off	
632098	Interior Mirror Assembly (Comprising items *)	1 off	France only

BODY AND FITTINGS - Facia Panel.



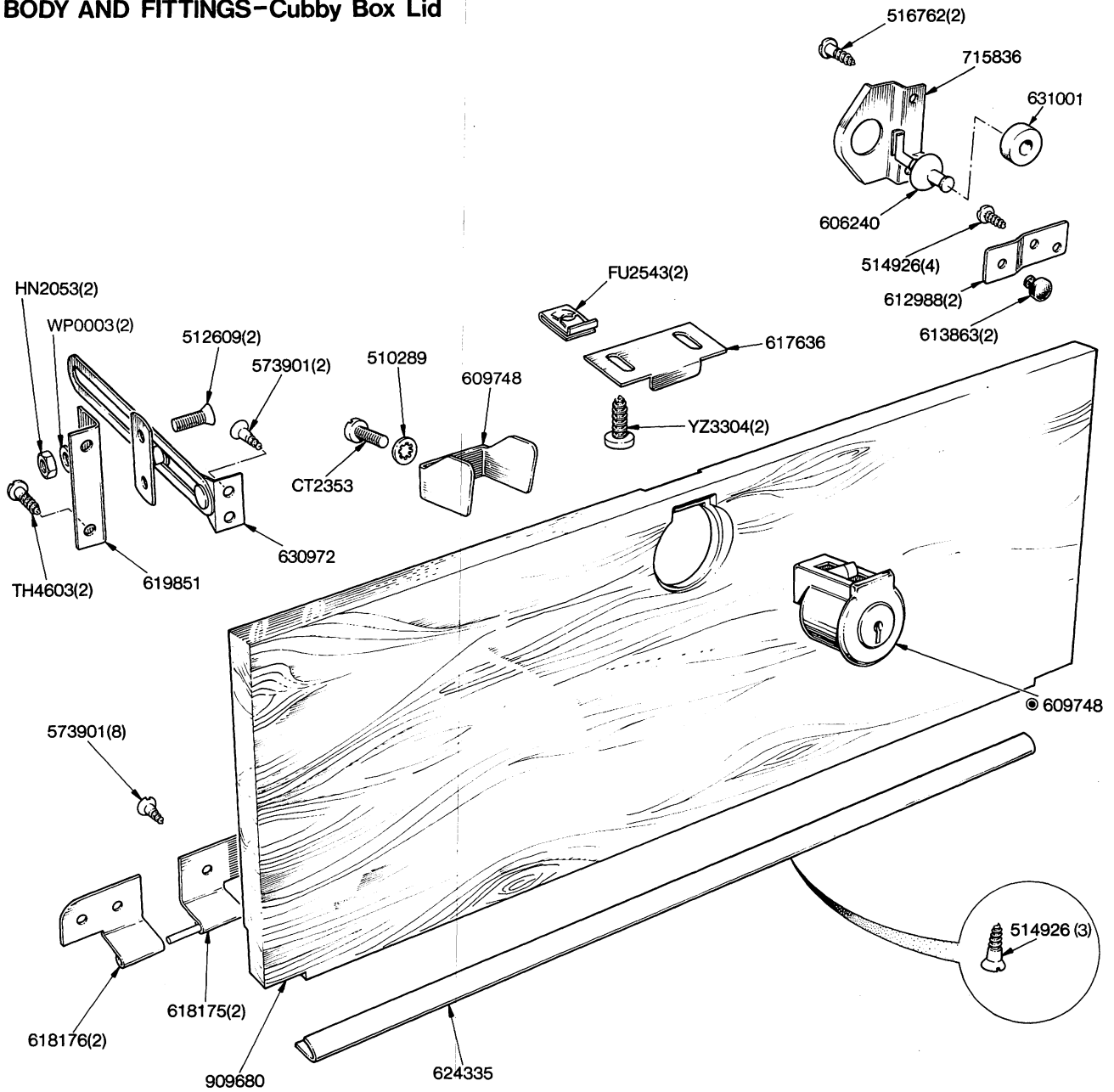
NOTE.
Items marked thus * are alternatives to items marked thus **

BODY AND FITTINGS—Facia Veneered Facings and Air Duct



909681	Matched Veneer Facing Set R.H.S.	1 off	Normal Fitment	* 909687	Facing, Drivers' Side R.H.S.	1 off	Normal Fitment
909682	Matched Veneer Facing Set L.H.S.	1 off		909688	Facing, Drivers' Side L.H.S.	1 off	
909683	Matched Veneer Facing Set R.H.S. (With cut outs for Brake Warning Light and Hazard Switch)	1 off		909689	Facing, Drivers' Side R.H.S. (With cut out for Brake Warning Light and Hazard Switch)	1 off	
909684	Matched Veneer Facing Set L.H.S. (With cut outs for Brake Warning Light and Hazard Switch)	1 off	Special Order Only	909690	Facing, Drivers' Side L.H.S. (With cut out for Brake Warning Light and Hazard Switch)	1 off	Special Order Only
724050	Matched Veneer Facing Set R.H.S. (With cut outs for Brake Warning Light)	1 off		724052	Facing, Drivers' Side R.H.S. (With cut out for Brake Warning Light)	1 off	
724051	Matched Veneer Facing Set L.H.S. (With cut outs for Brake Warning Light)	1 off		724053	Facing, Drivers' Side L.H.S. (With cut out for Brake Warning Light)	1 off	
723140	Matched Veneer Facing Set R.H.S. (With cut outs for Hazard Switch)	1 off		723142	Facing, Drivers' Side R.H.S. (With cut out for Hazard Switch)	1 off	
723141	Matched Veneer Facing Set L.H.S. (With cut outs for Hazard Switch)	1 off		723143	Facing, Drivers' Side L.H.S. (With cut out for Hazard Switch)	1 off	
NOTE. The above sets comprise :- Drivers' side, Passengers' side and Glove Box Lid Facings.							
TOLEDO			PLATE T15 (08-71)			B1990/4	

BODY AND FITTINGS-Cubby Box Lid

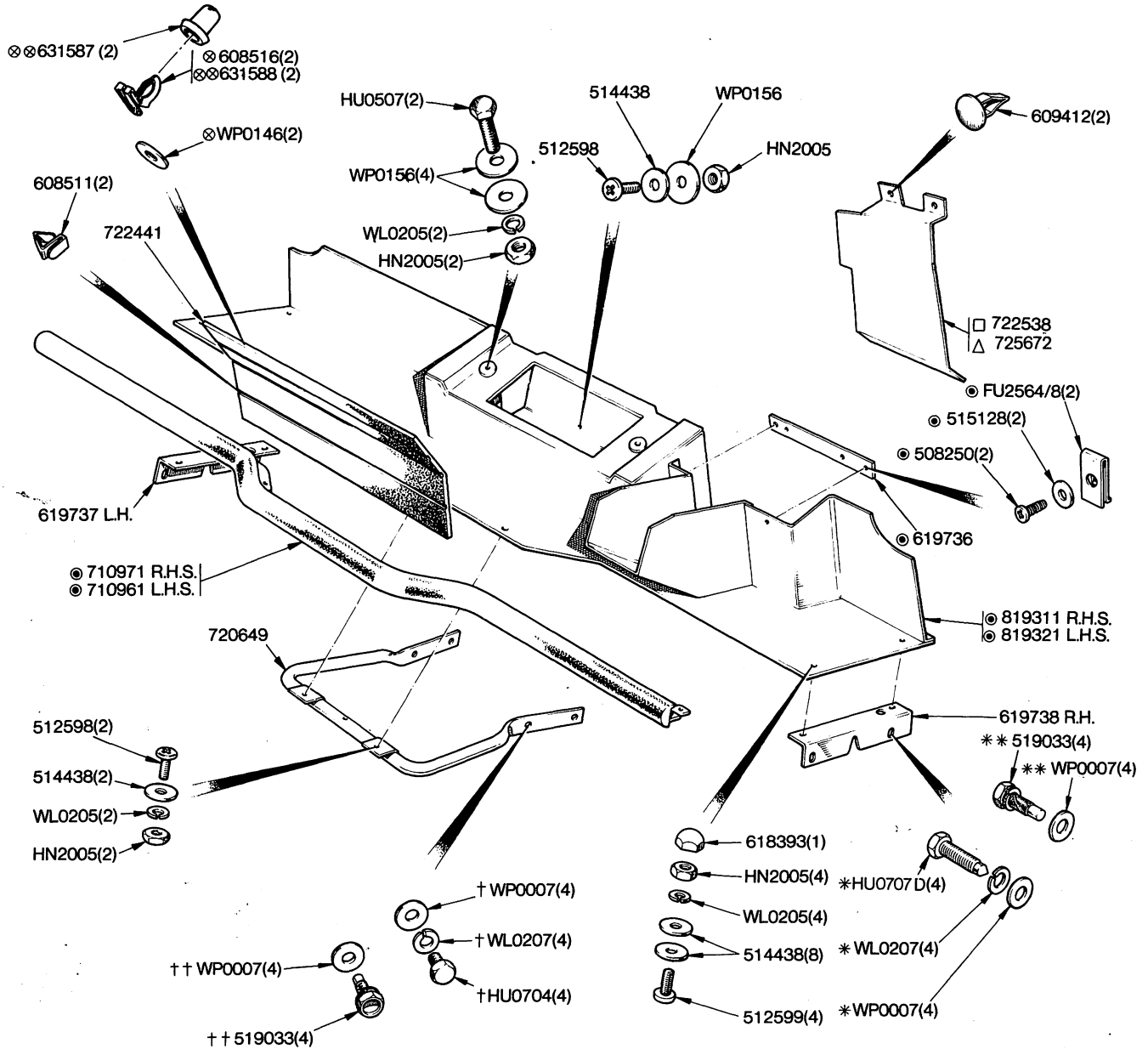


NOTE

617408 Lock Set Assembly Comprising (Glovebox lid lock and Trunk lid lock)

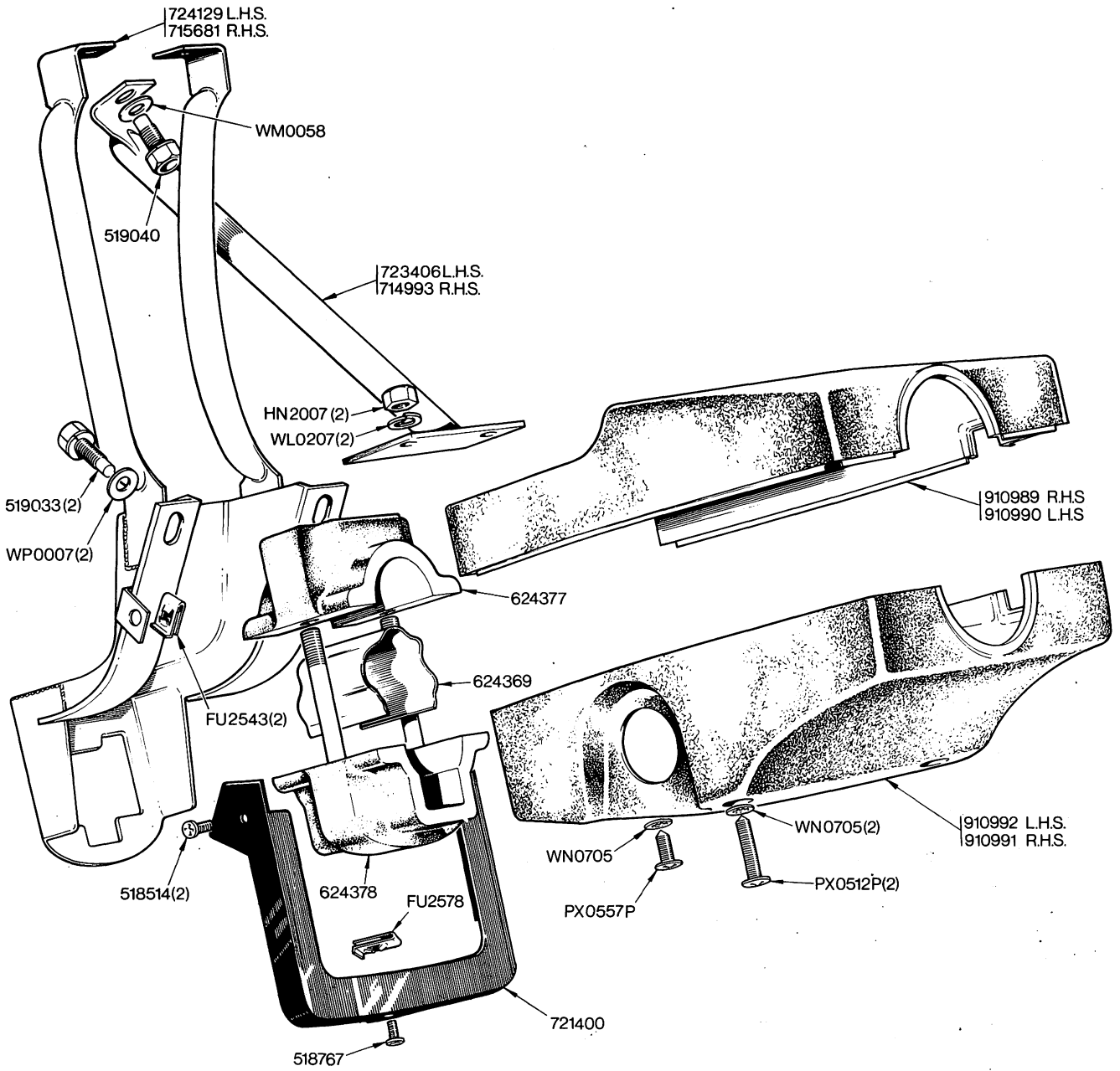
© Part of Lock Set Assembly

BODY AND FITTINGS - Parcel Tray



NOTE.
 Items marked thus * are alternatives to items marked thus **
 Items marked thus † are alternatives to items marked thus ††
 819311 Parcel Tray Assembly R.H.S. 1 off } Comprising items marked thus ⊙
 819321 Parcel Tray Assembly L.H.S. 1 off }
 Items marked thus ⊗ are fitted up to TRIM Body Nos T19099 DG, T5854 only
 Items marked thus ⊗⊗ are fitted Trim Body Nos T19100 DG, T5855 DK and future
 Item marked thus □ is fitted up to Trim No.s T23561 DG, T16616 DK only
 Item marked thus △ is fitted from Trim Body No.s T23562 DG, T16617 DK and future

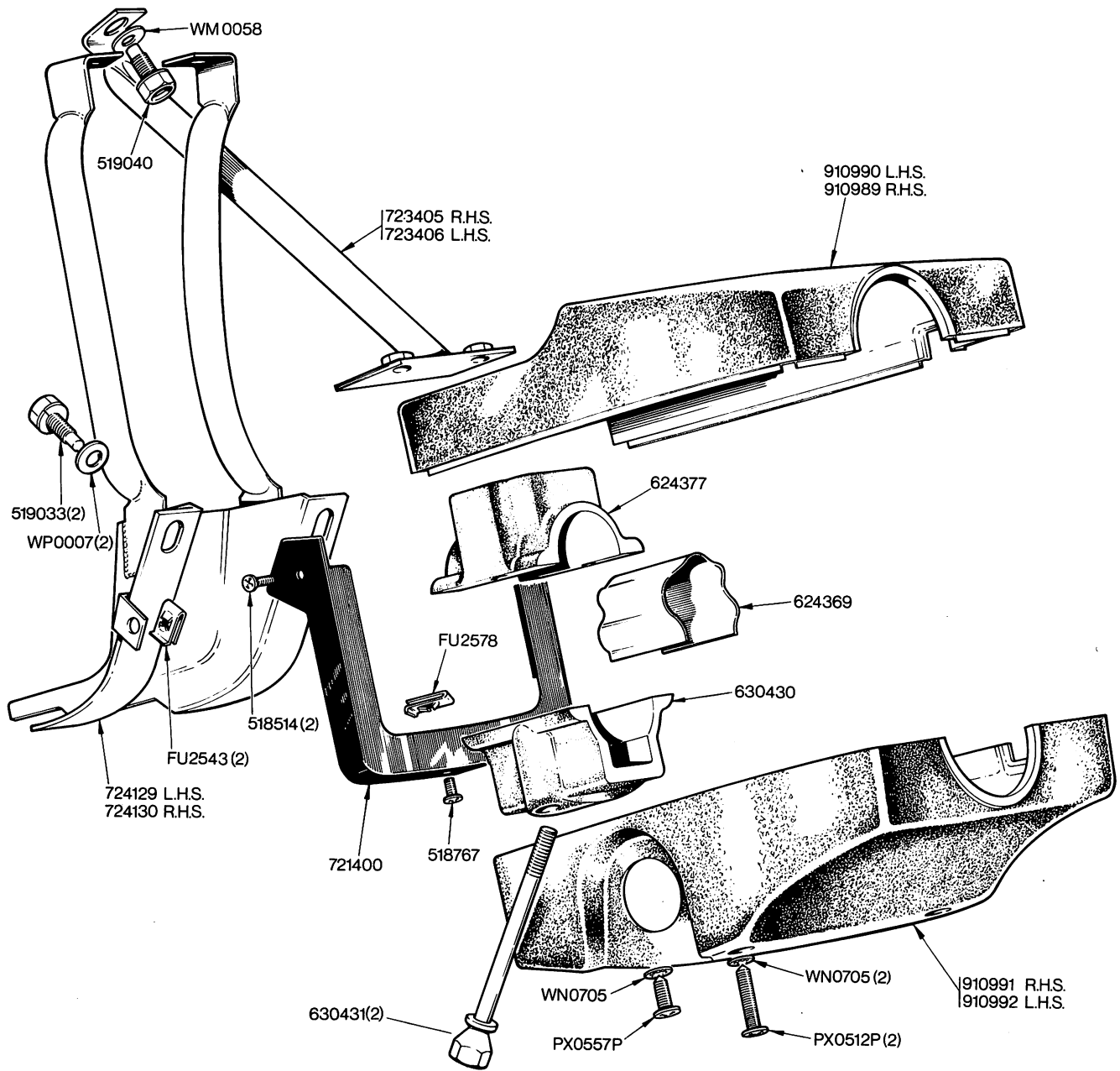
BODY AND FITTINGS-Steering Column Support



NOTE

The details on this Plate are fitted up to Trimmed Body Nos. T243DG (L.H.S.) and T1752DG (R.H.S.) only (See Plate T18a for future)

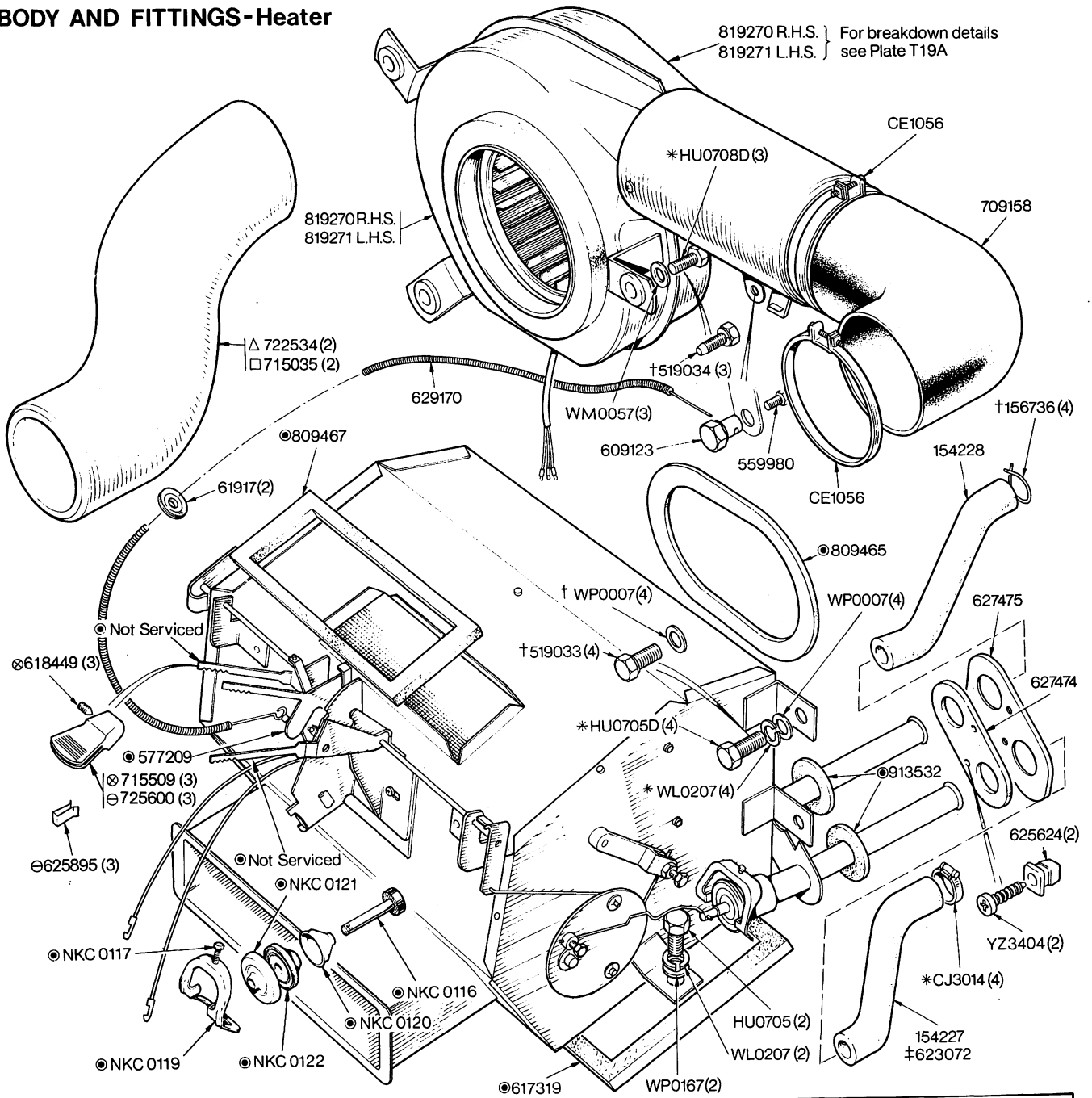
BODY AND FITTINGS—Steering Column Support



NOTE

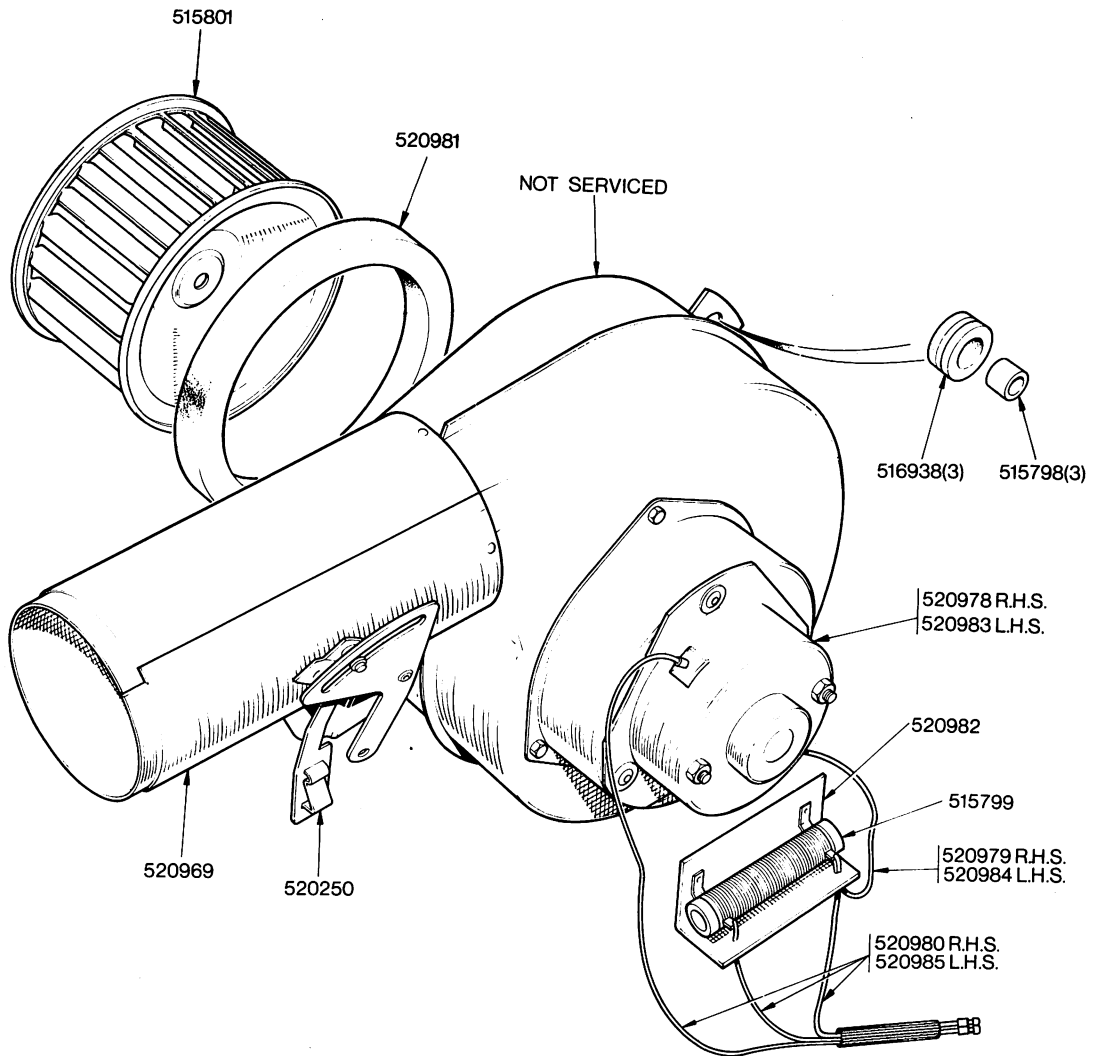
The details on this Plate are fitted from Trimmed Body Nos T244DG (L.H.S.) and T1753DG (R.H.S.) (See Plate T18 for previous details)

BODY AND FITTINGS-Heater



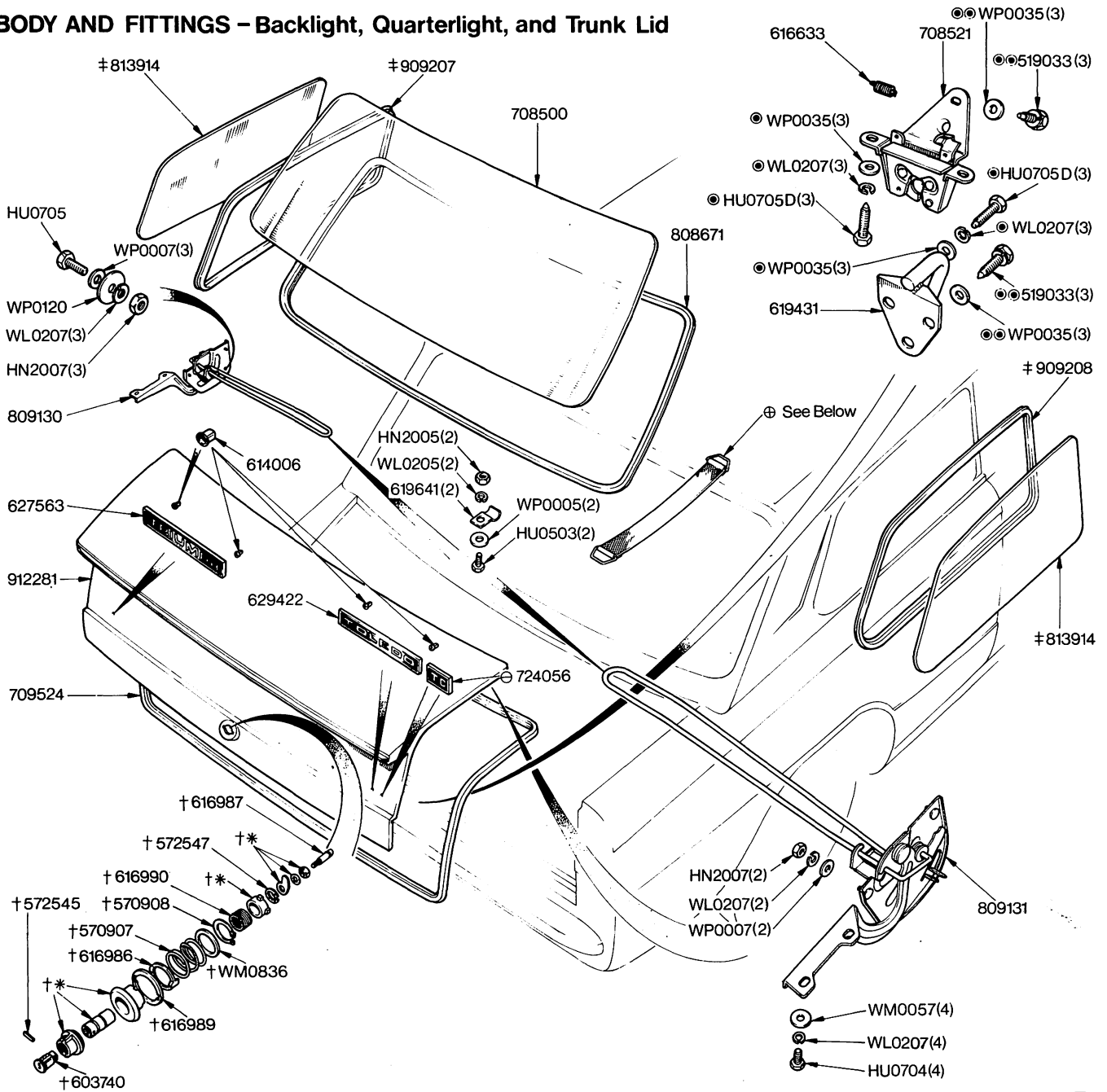
913534 Heater Box and Seals Assembly 1 off Comprising items marked thus ●
 Items marked thus * are alternative to items marked thus †
 Items marked thus ‡ are fitted on Twin Carburettor Vehicles only
 ⊗ Fitted up to Trim body Nos. T.23333 DG, T.15966 DK only
 ⊕ Fitted from Trim body Nos. T.23334 DG, T.15967 DK and future
 △ Fitted up to Trim body Nos. T.22831 DG, T.14896 DK only
 □ Fitted from Trim body Nos. T.22832 DG, T.14897 DK and future (May be used for all replacements)

BODY AND FITTINGS—Blower Unit



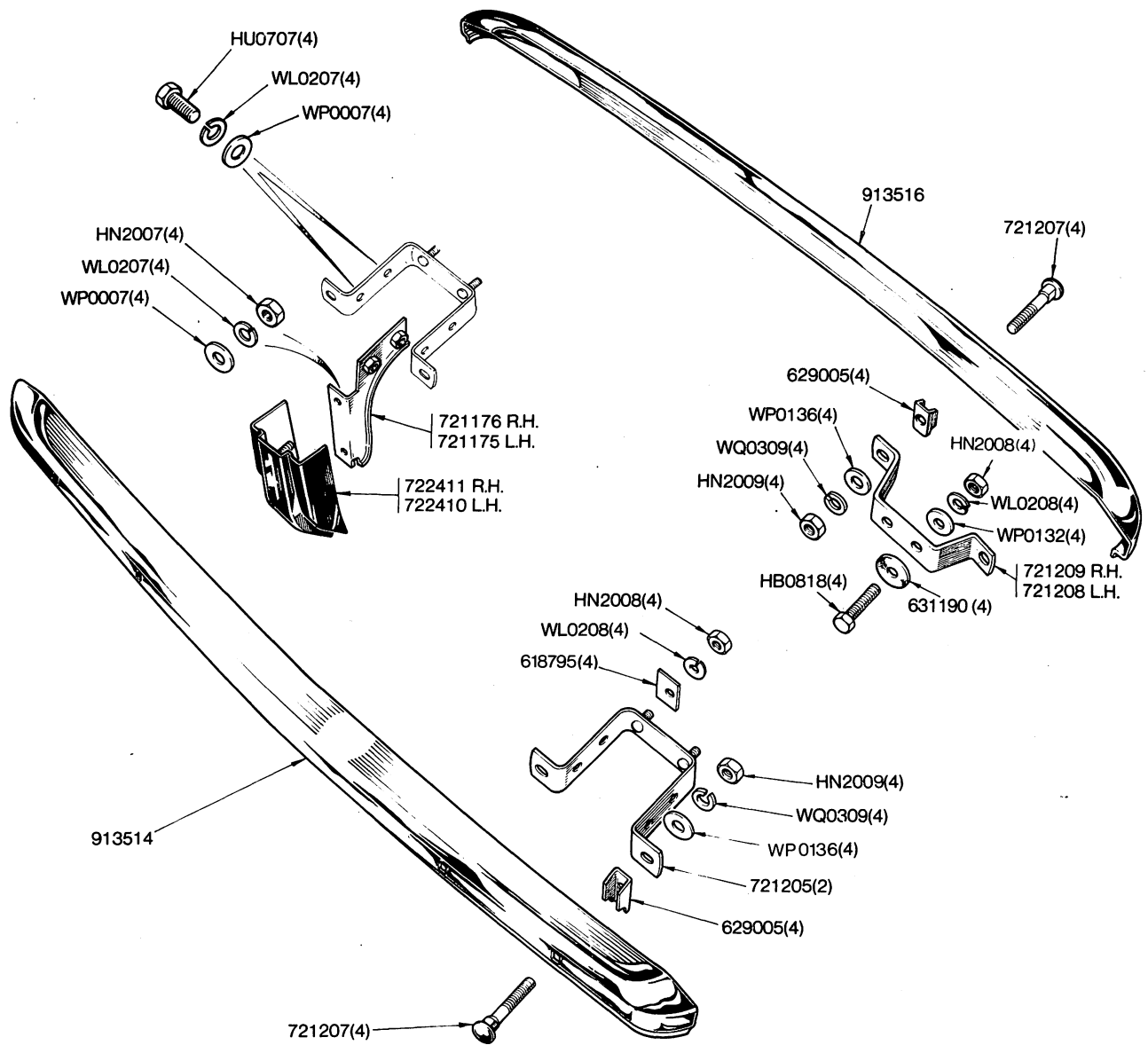
NOTE
 819270 Blower Unit R.H.S. }
 819271 Blower Unit L.H.S. } Comprising all items on this Plate

BODY AND FITTINGS - Backlight, Quarterlight, and Trunk Lid



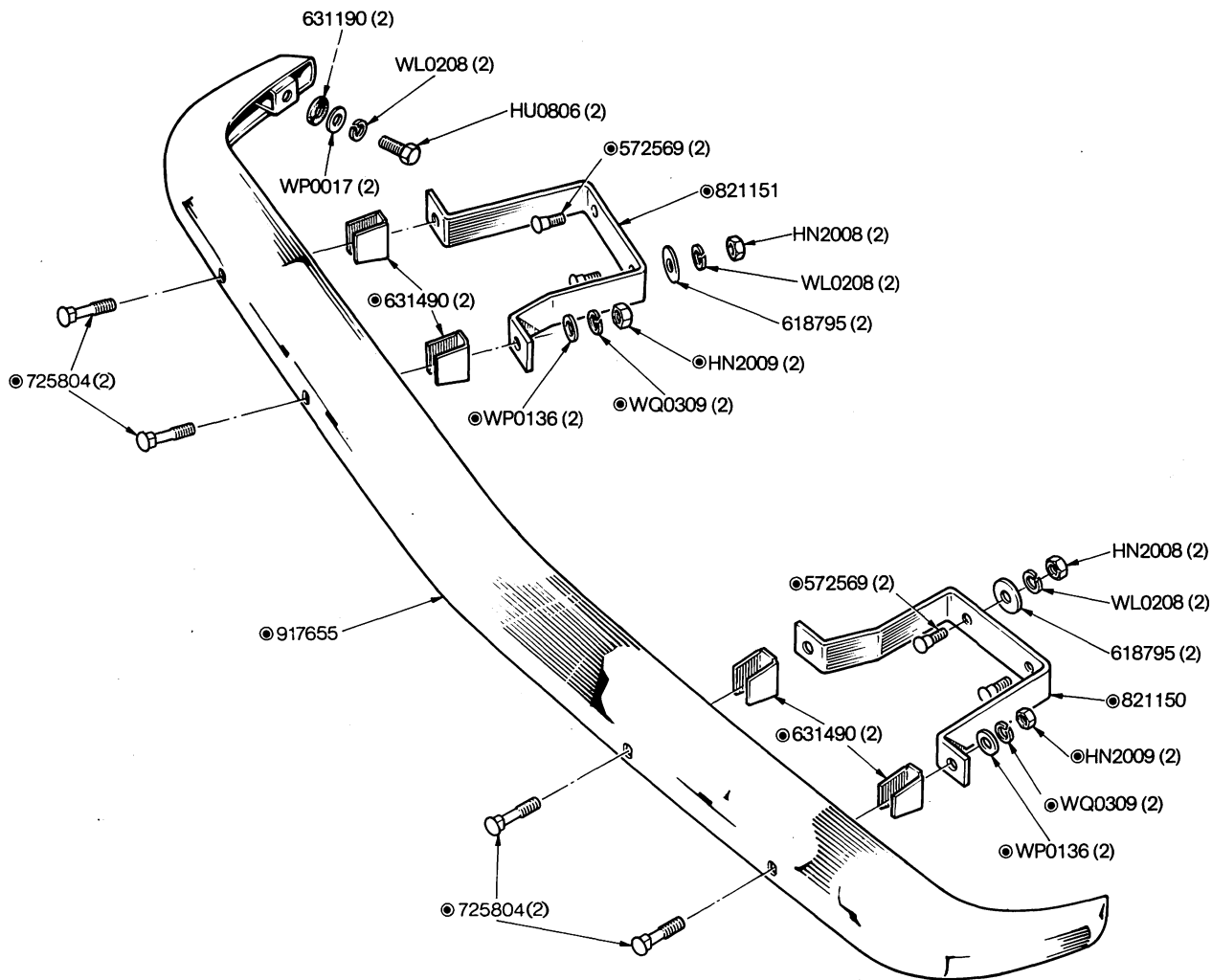
NOTE.			
616982	Trunk Lid Operating Knob Assembly	1off	Items marked thus ‡ are fitted on two door vehicles only
	Items marked thus † are part of assembly 616982		Items marked ⊕ is fitted on Twin Carburettor model only
⊕ 629200	Alternative fitment with 520 x 13 Tyres on 1300cc		
⊕ 625150			
	Items marked thus * are not serviced		
	Items marked thus ⊙ are alternative to items marked thus ⊙⊙		
⊕ 629201	Alternative fitment with 155 x 13 Tyres on 1500cc		
⊕ 625151			
617408	Lock Set Assembly	1off	
	(comprising Trunk Lid Lock and Glove Box Lid Lock)		
TOLEDO	PLATE T20 (08-78)		B1976/4

BODY AND FITTINGS-Bumpers



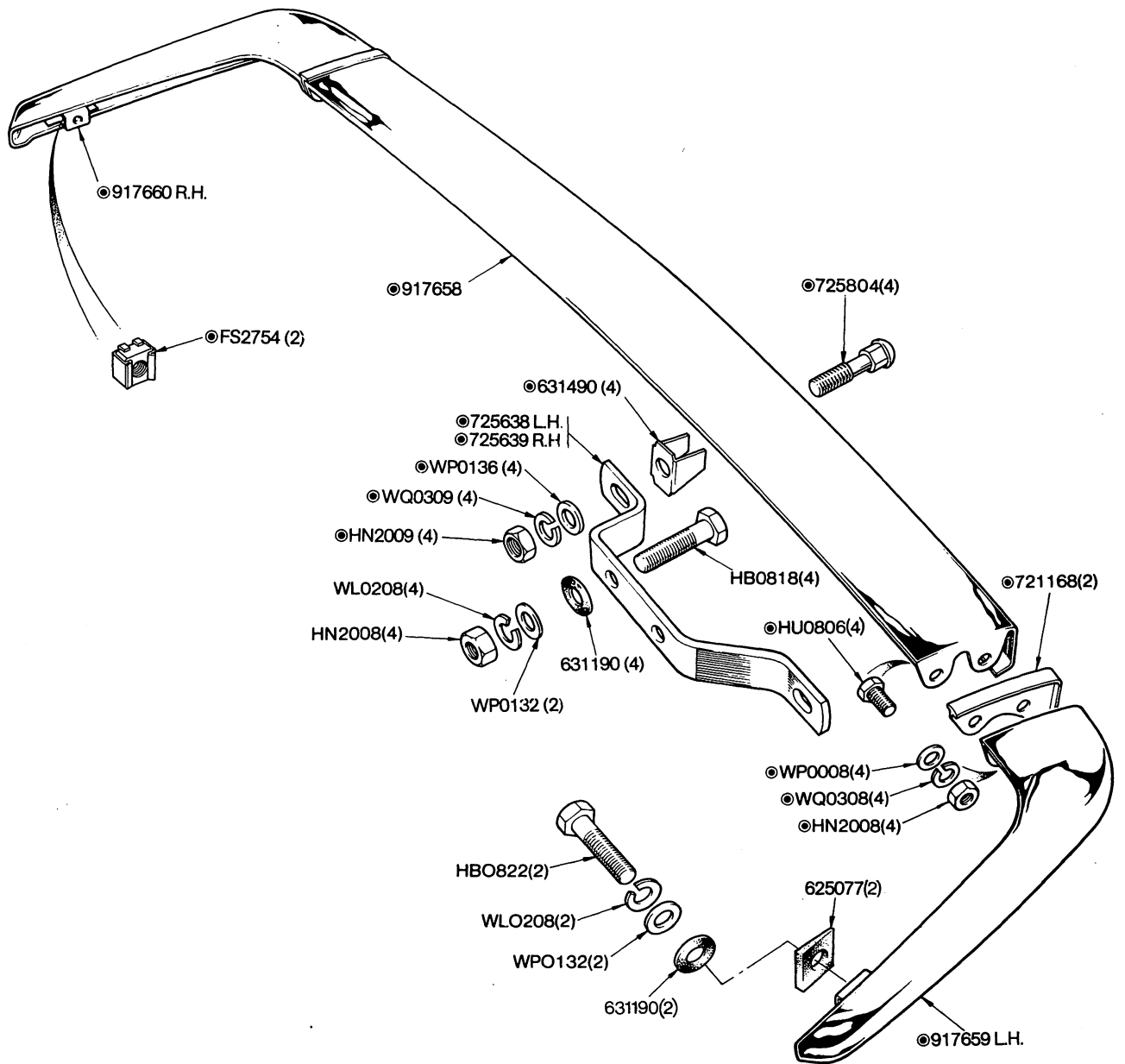
NOTE
 The details on this Plate are fitted on all 2 Door Vehicles and L.H.S. 4 Door
 (See Plate T21A for front and T21B for rear wrap-round Bumper details on R.H.S. 4 Door Vehicles)

BODY AND FITTINGS – Front Bumper



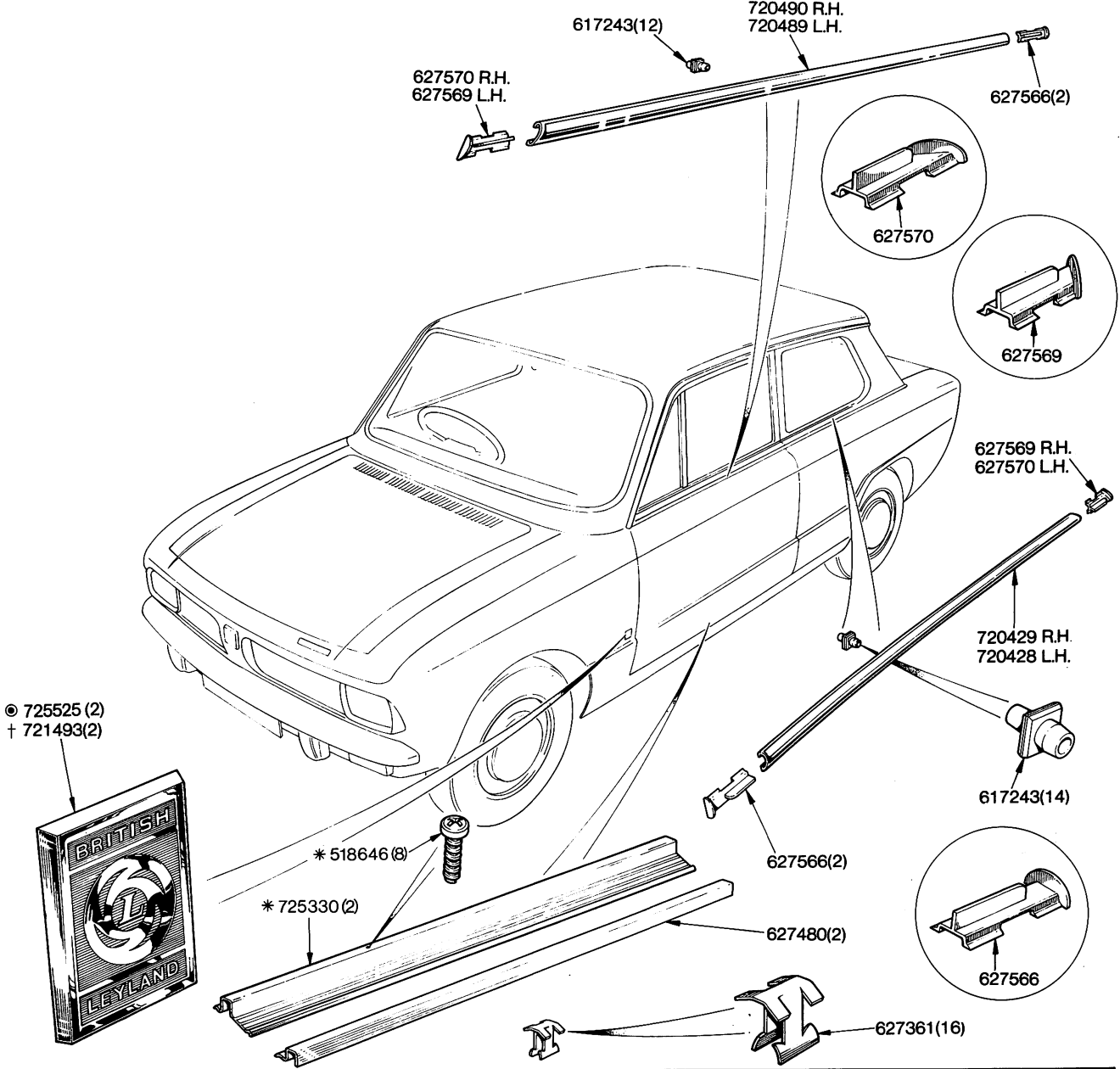
NOTE
 917360 Front Bumper Assembly
 Comprising items marked ©

BODY AND FITTINGS - Rear Bumper



NOTE
 917361 Rear Bumper Assembly
 Comprising items marked ©

BODY AND FITTINGS - Body Side Mouldings



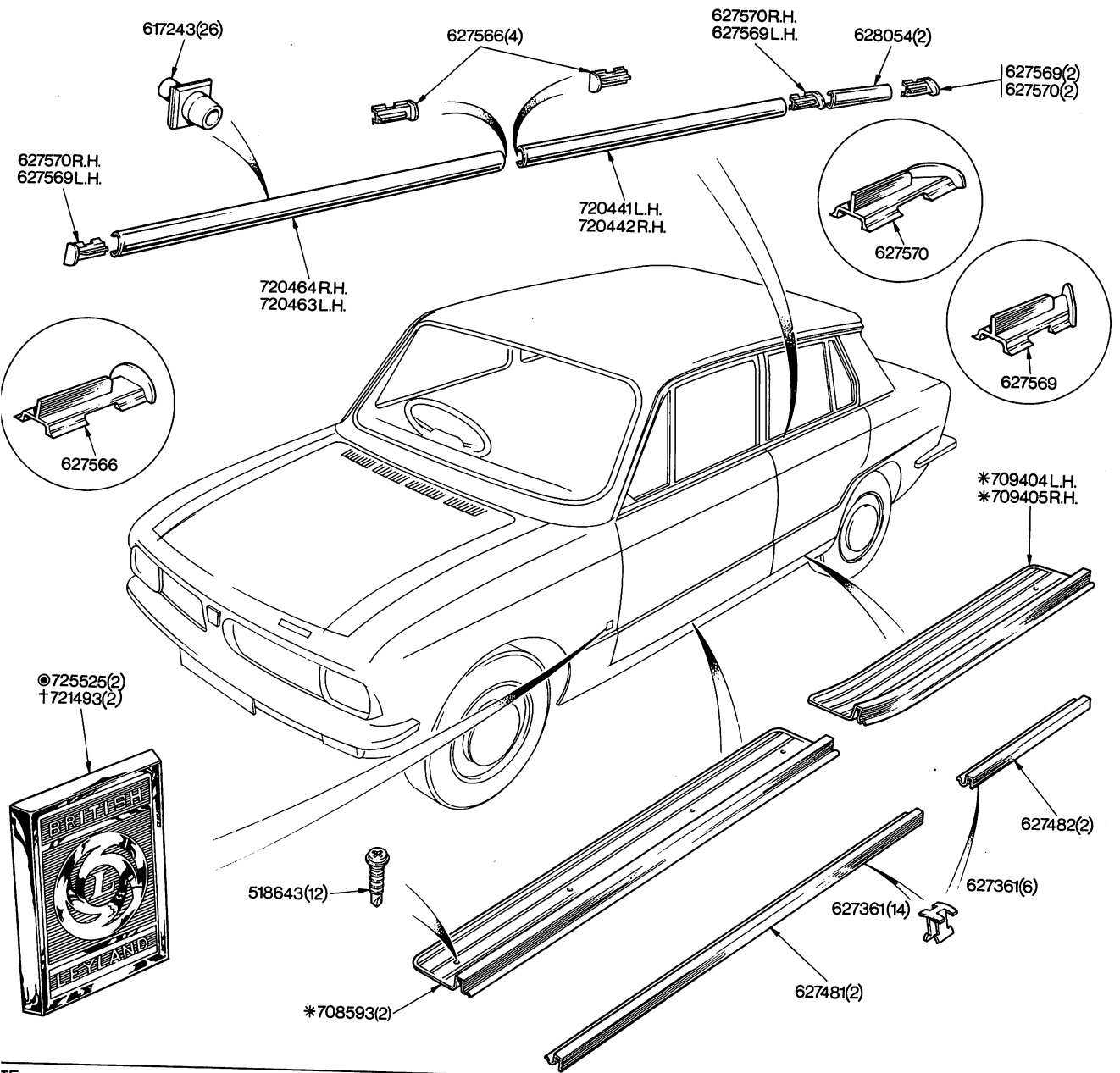
NOTE
 * Special orders only
 † Plastic } Alternatives
 ● Zinc Based }

TOLEDO - 2 DOOR

PLATE T22 (08-82)

B1977/4

BODY AND FITTING-Body Side Mouldings



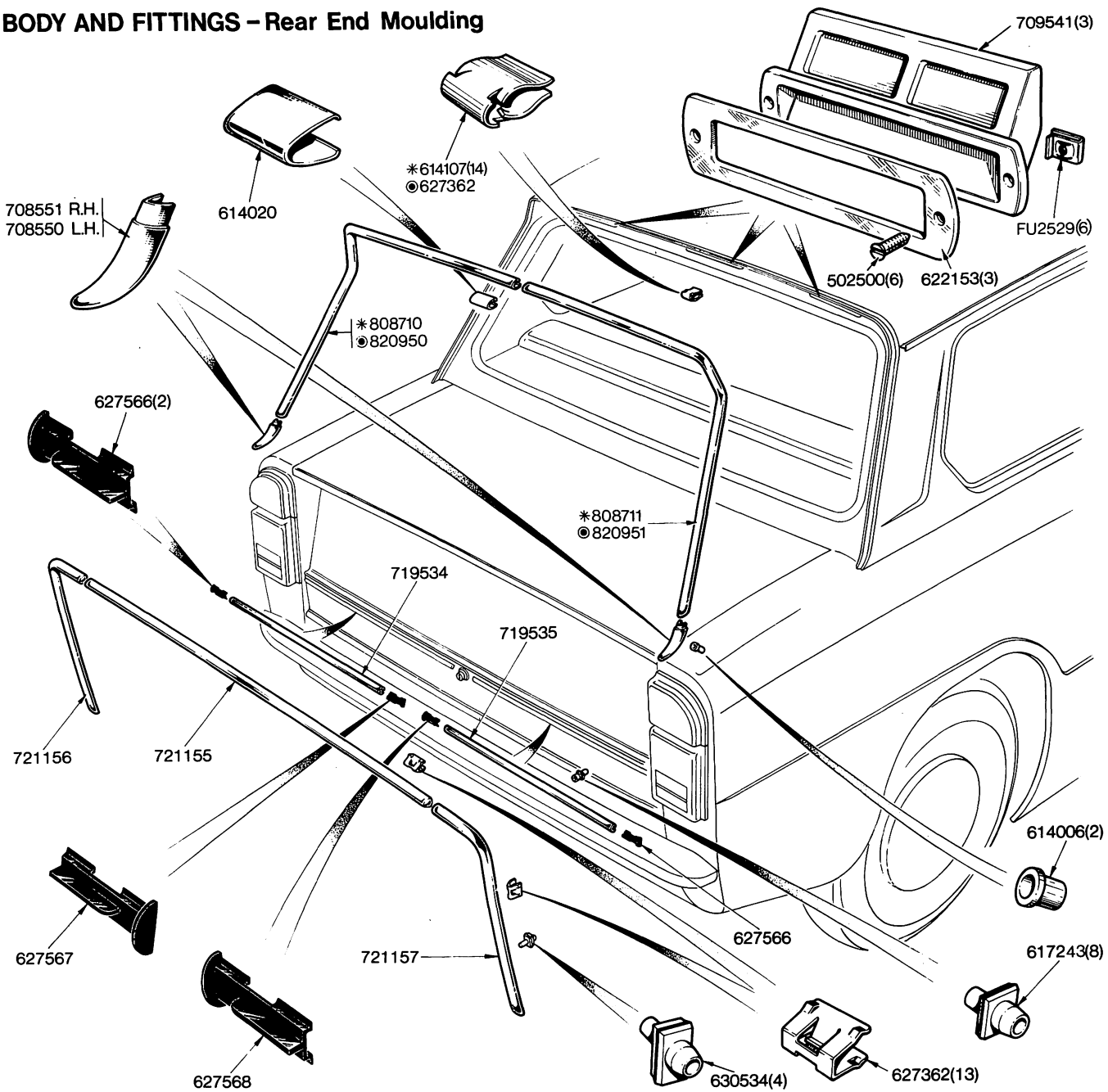
TE
lastic
inc Based } Alternatives
pecial orders only

LEDO-4 DOOR

PLATE T22a (08-83)

B2132/3

BODY AND FITTINGS - Rear End Moulding



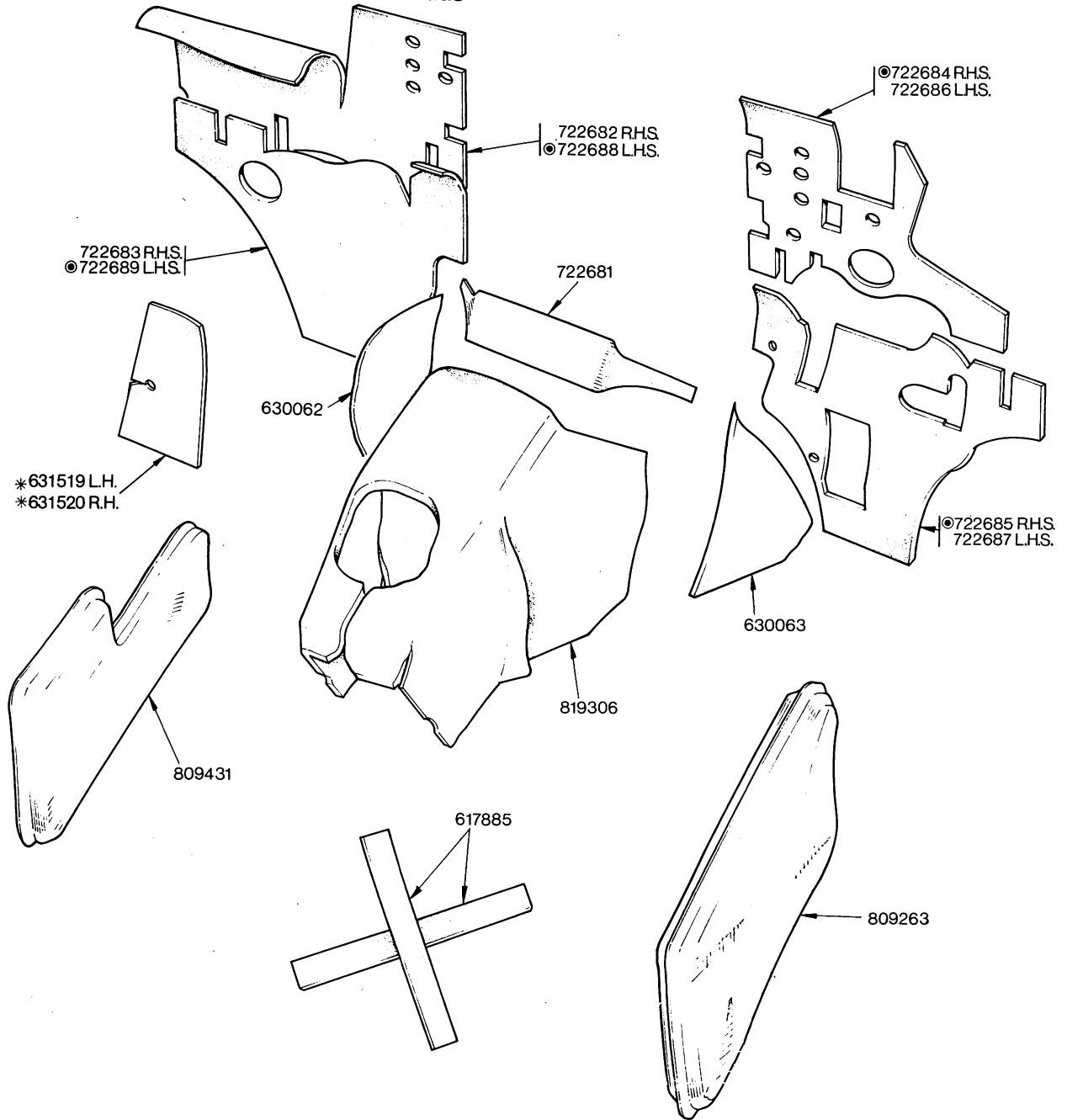
NOTE

* Fitted up to Trimmed Body Nos. T12895 DG (2 Door) and T183 DK (4 Door)

© Fitted from Trimmed Body Nos. T12896 (2 Door) and T184 DK (4 Door)

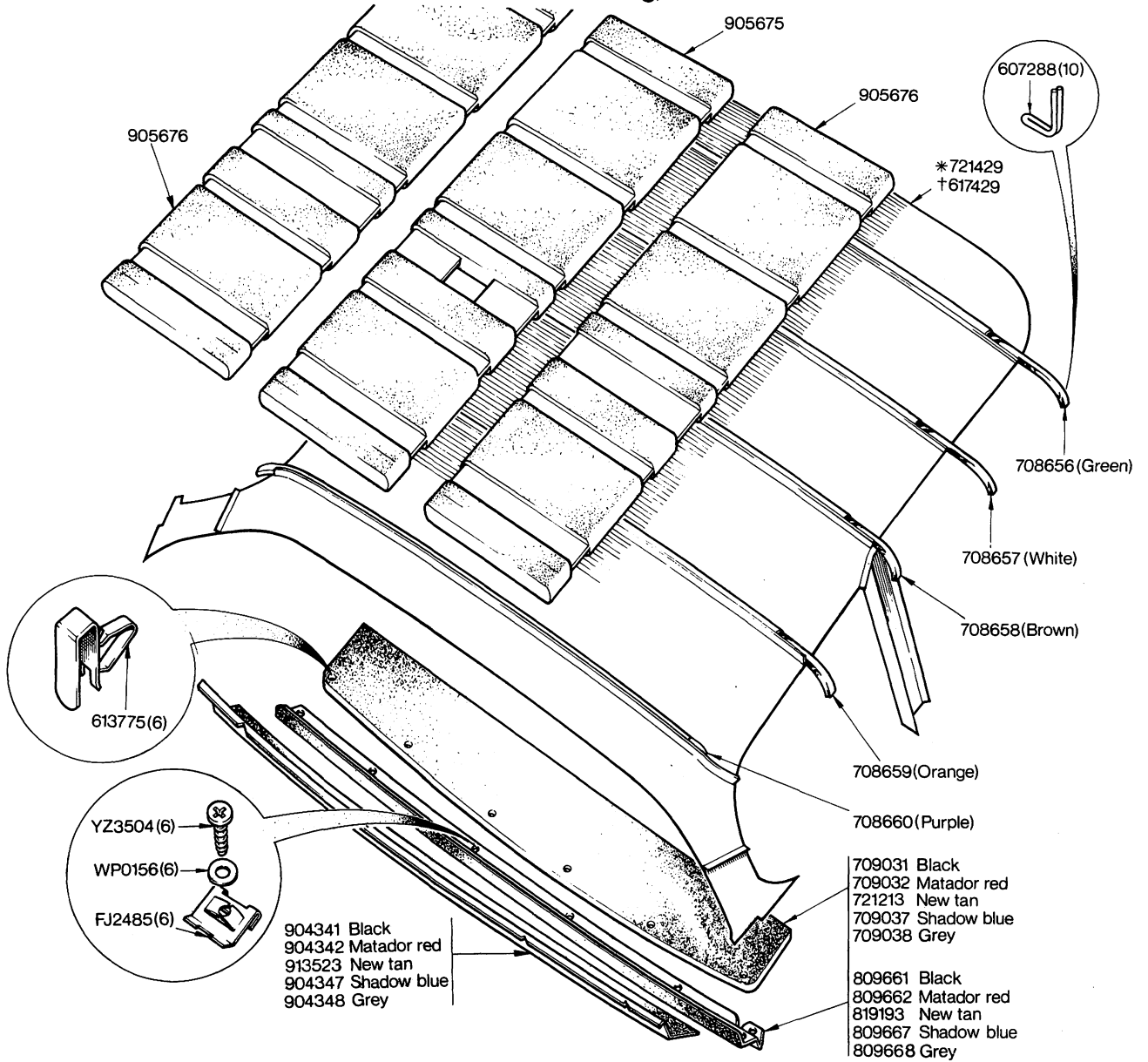
(If fitted in sets may be used for all replacements)

BODY AND FITTINGS-Sound Insulation Pads



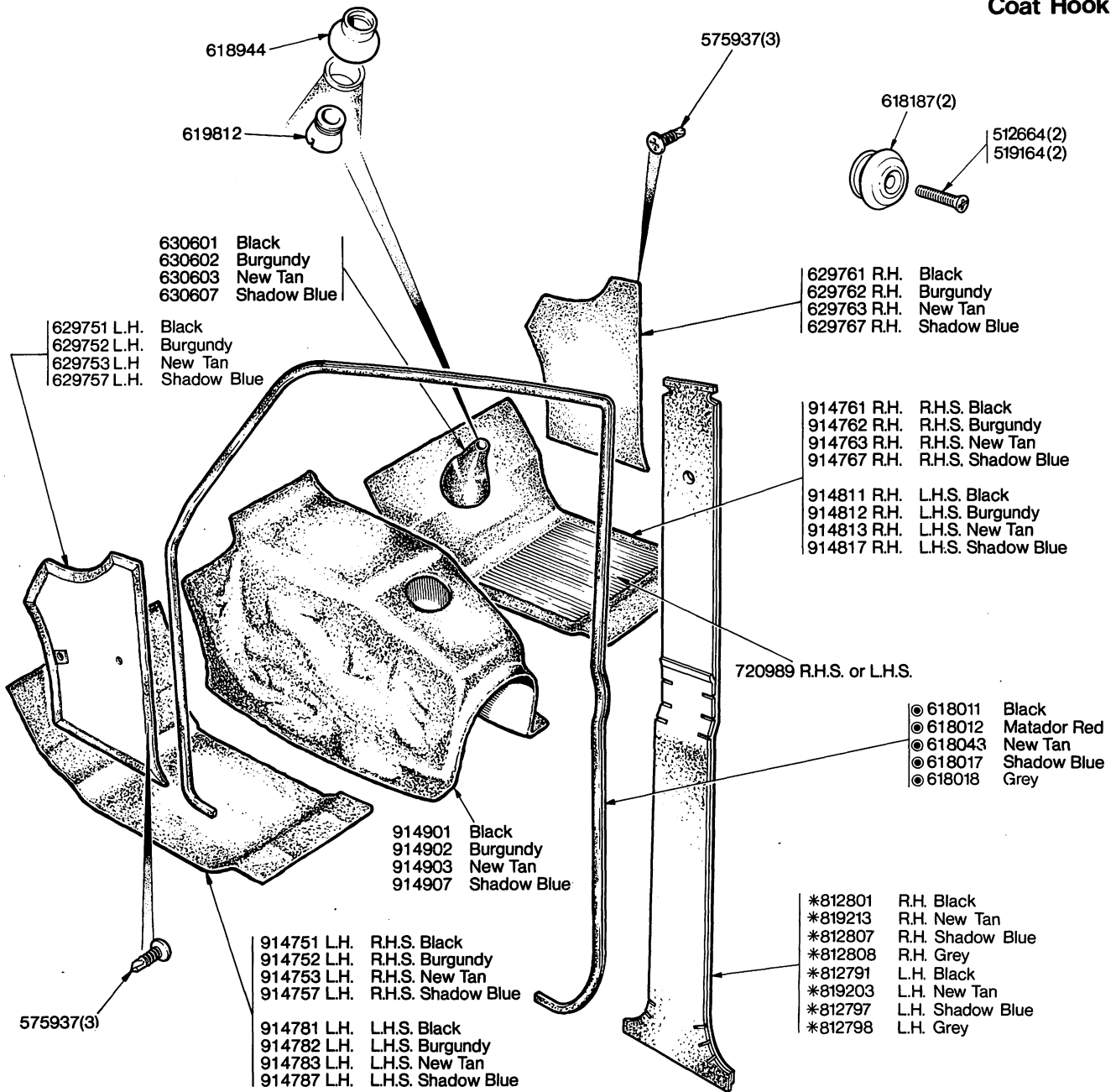
● Fitted up to Trimmed Body Nos T11457 DG (2 Door) and T557 DK (4 Door) only
 * Fitted from Trimmed Body No.s T22832 DG, (2 Door) T14897 DK (4 Door) and future

BODY AND FITTINGS—Roof Insulation Pads, Headlining, Parcel Shelf Trim



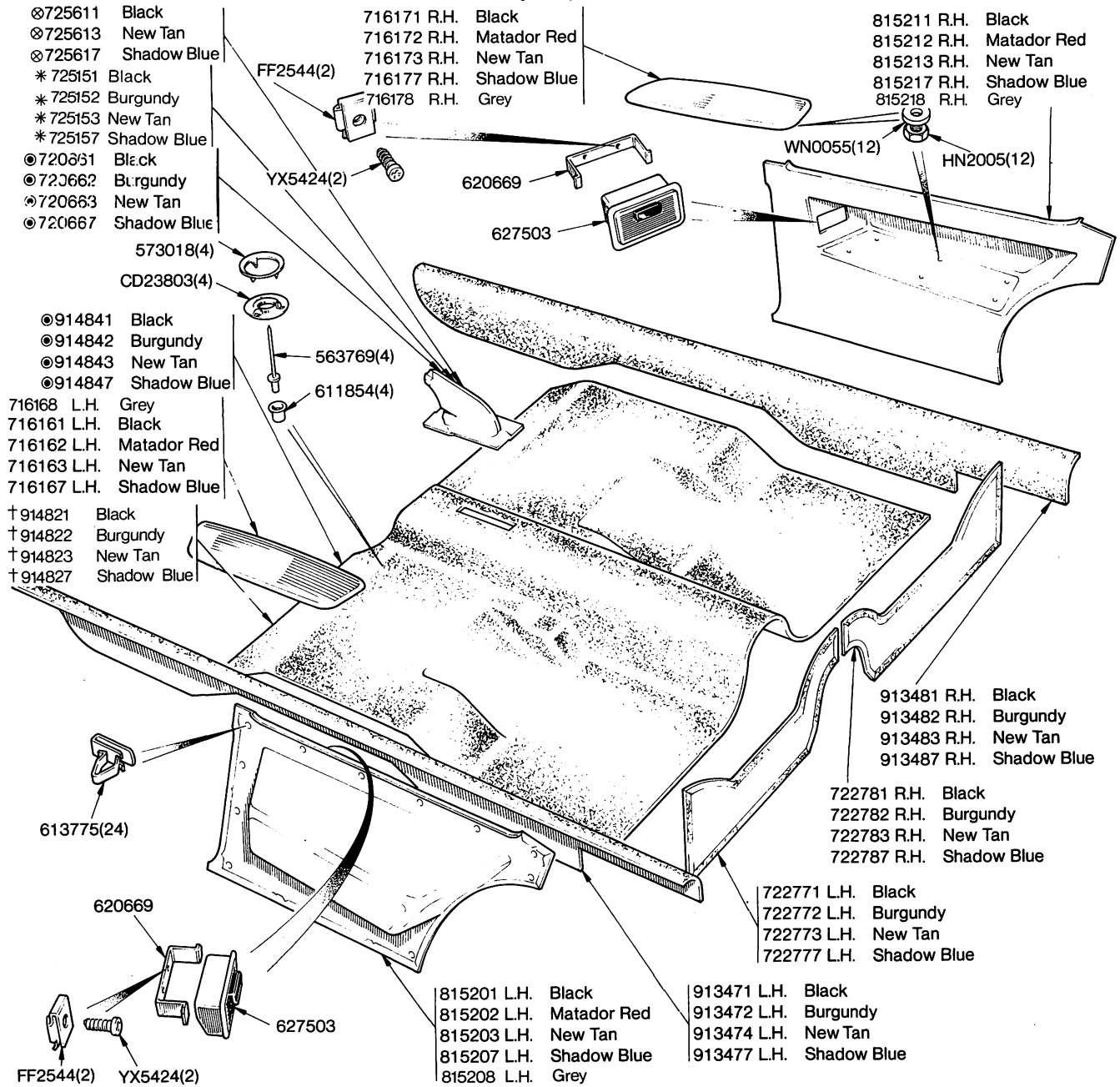
NOTE
 *721429 Headlining Assembly 2 Door
 †617429 Headlining Assembly 4 Door

BODY AND FITTINGS – Dash Trim Pads, Front Floor Carpet, Draught Excluder, 'B' Post Trim Pad, Coat Hook



NOTE
Items marked thus * are 4 door only
Items marked thus © are 2 off on 2 Door and 4 off on 4 Door Vehicles.

BODY AND FITTINGS - Rear Floor and Sill Carpets, Rear Quarter Casings



NOTE
 ● Fitted up to Trim Body No. T15877D.G. only
 † Fitted from Trim Body No. T15878 D.G. and future
 * Fitted from Trim Body No. T15878 D.G. up to T21732 DG only
 ○ Fitted from Trim Body No. T21733 DG and future.

TOLEDO 2 DOOR **PLATE T27 (09-05)** **B1984/4**

BODY AND FITTINGS—Door Tread Plates, Sill Carpet, Rear Floor Carpet

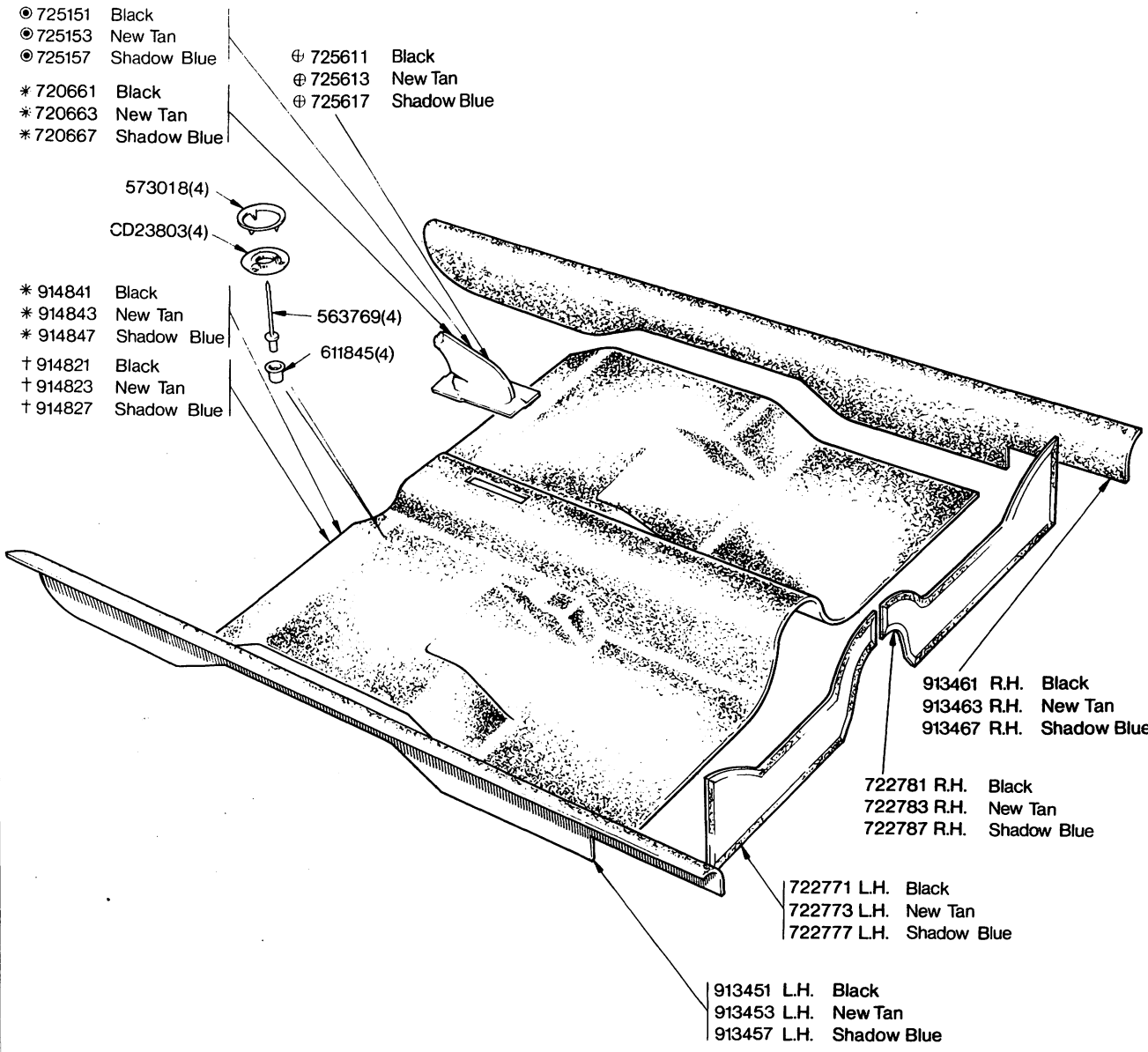
- ⊙ 725151 Black
- ⊙ 725153 New Tan
- ⊙ 725157 Shadow Blue
- * 720661 Black
- * 720663 New Tan
- * 720667 Shadow Blue

- ⊕ 725611 Black
- ⊕ 725613 New Tan
- ⊕ 725617 Shadow Blue

- 573018(4)
- CD23803(4)

- * 914841 Black
- * 914843 New Tan
- * 914847 Shadow Blue
- † 914821 Black
- † 914823 New Tan
- † 914827 Shadow Blue

- 563769(4)
- 611845(4)



- 913461 R.H. Black
- 913463 R.H. New Tan
- 913467 R.H. Shadow Blue

- 722781 R.H. Black
- 722783 R.H. New Tan
- 722787 R.H. Shadow Blue

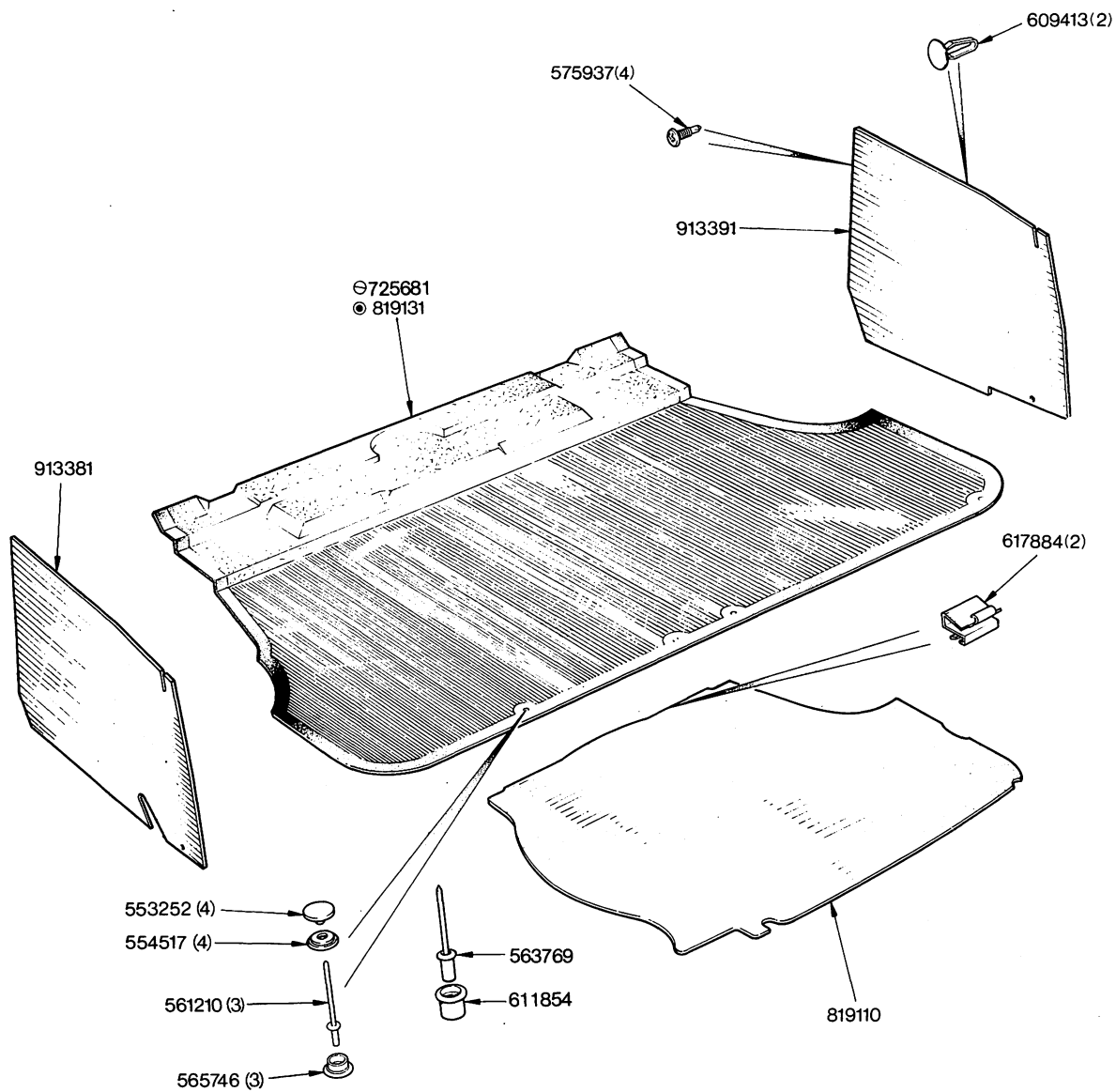
- 722771 L.H. Black
- 722773 L.H. New Tan
- 722777 L.H. Shadow Blue

- 913451 L.H. Black
- 913453 L.H. New Tan
- 913457 L.H. Shadow Blue

NOTE

- ⊙ Fitted up to Trim Body No. T306 DK only
- ⊙ Fitted from Trim Body No. T307 DK and future
- ⊙ Fitted from Trim Body No. T307 DK up to T12797 DK only
- ⊙ Fitted from Trim Body No. T12798 DK and future

BODY AND FITTINGS—Luggage Compartment Trim



Note

⊖ Rubber (fitted up to Commission No.s ADG 25786, ADF29489 only)

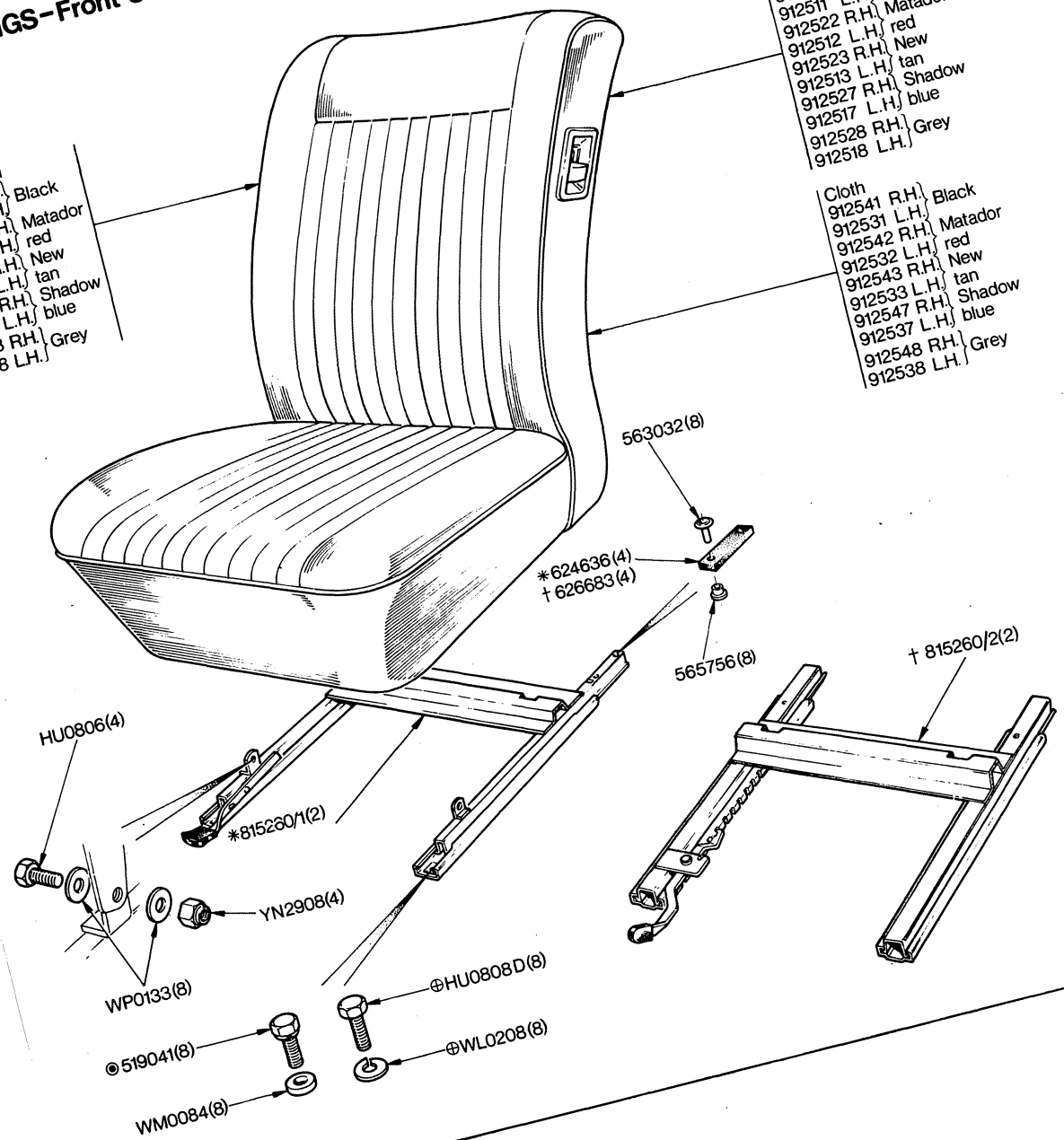
⊙ P.V.C. (fitted from Commission No.s ADG 25787, ADF29490 and future; may be used for all replacements)

BODY AND FITTINGS - Front Seat Assembly and Seat Slides

- Leathercloth
- 912501 R.H. Black
- 912491 L.H. Matador
- 912502 R.H. red
- 912492 L.H. New
- 912503 R.H. tan
- 912493 L.H. Shadow
- 912507 R.H. blue
- 912497 L.H. Grey
- 912508 R.H. Grey
- 912498 L.H.

- Leather
- 912521 R.H. Black
- 912511 L.H. Matador
- 912522 R.H. red
- 912512 L.H. New
- 912523 R.H. tan
- 912513 L.H. Shadow
- 912527 R.H. blue
- 912517 L.H. Grey
- 912528 R.H. Grey
- 912518 L.H.

- Cloth
- 912541 R.H. Black
- 912531 L.H. Matador
- 912542 R.H. red
- 912532 L.H. New
- 912543 R.H. tan
- 912533 L.H. Shadow
- 912547 R.H. blue
- 912537 L.H. Grey
- 912548 R.H. Grey
- 912538 L.H.



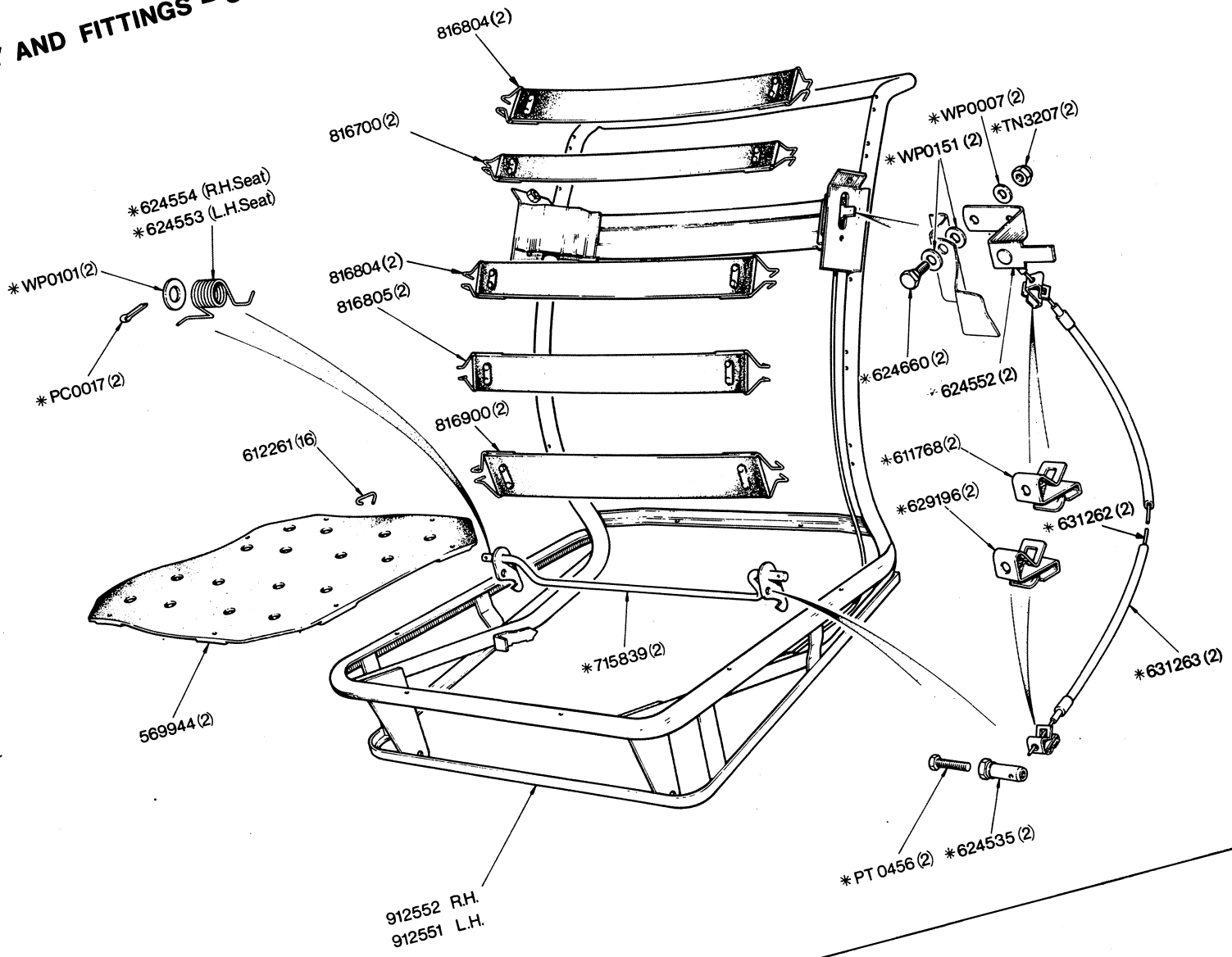
NOTE.
 Items marked thus * are alternative to items marked thus †
 Items marked thus ⊙ are alternative to items marked thus ⊕

B1993/4

PLATE T29 (09-08)

TOLEDO (2 DOOR)

BODY AND FITTINGS - Seat Frame, Diaphragm and Straps



NOTE
 Items marked thus* are part of seat frames 912551 L.H. 912552 R.H.

PLATE T30 (09-09)

TOLEDO (2 DOOR)

B1994/4

BODY AND FITTINGS - Front Seat Pads and Covers

LEATHERCLOTH

- 722571 R.H. } Black
- 722541 L.H. }
- 722572 R.H. } Matador Red
- 722542 L.H. }
- 722573 R.H. } New Tan
- 722543 L.H. }
- 722577 R.H. } Shadow Blue
- 722547 L.H. }
- 722578 R.H. } Grey
- 722548 L.H. }

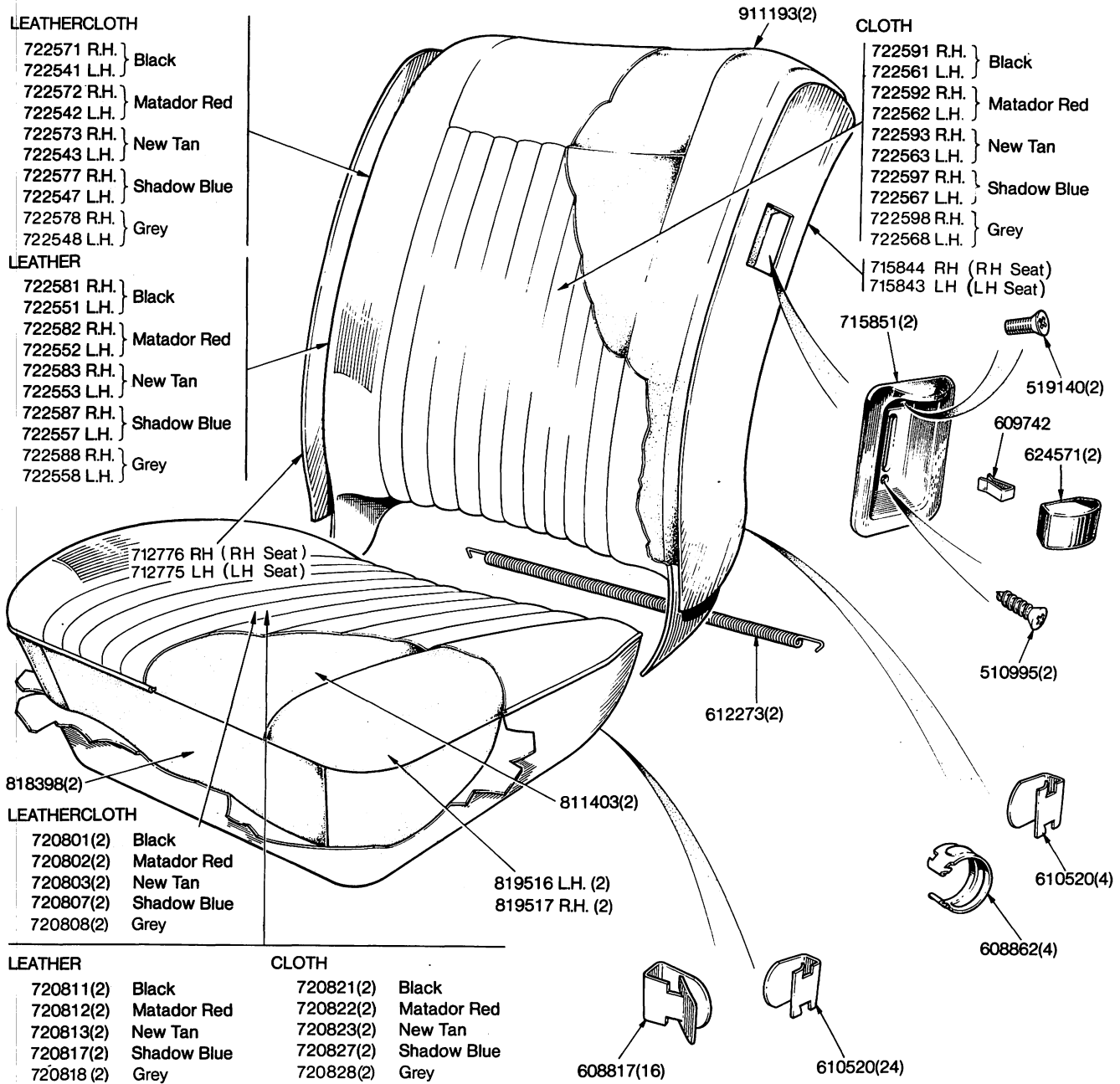
LEATHER

- 722581 R.H. } Black
- 722551 L.H. }
- 722582 R.H. } Matador Red
- 722552 L.H. }
- 722583 R.H. } New Tan
- 722553 L.H. }
- 722587 R.H. } Shadow Blue
- 722557 L.H. }
- 722588 R.H. } Grey
- 722558 L.H. }

CLOTH

- 722591 R.H. } Black
- 722561 L.H. }
- 722592 R.H. } Matador Red
- 722562 L.H. }
- 722593 R.H. } New Tan
- 722563 L.H. }
- 722597 R.H. } Shadow Blue
- 722567 L.H. }
- 722598 R.H. } Grey
- 722568 L.H. }

- 715844 RH (RH Seat)
- 715843 LH (LH Seat)



LEATHERCLOTH

- 720801(2) Black
- 720802(2) Matador Red
- 720803(2) New Tan
- 720807(2) Shadow Blue
- 720808(2) Grey

CLOTH

- 720811(2) Black
- 720812(2) Matador Red
- 720813(2) New Tan
- 720817(2) Shadow Blue
- 720818(2) Grey
- 720821(2) Black
- 720822(2) Matador Red
- 720823(2) New Tan
- 720827(2) Shadow Blue
- 720828(2) Grey

NOTE

TOLEDO (2 DOOR)

PLATE T31 (09-10)

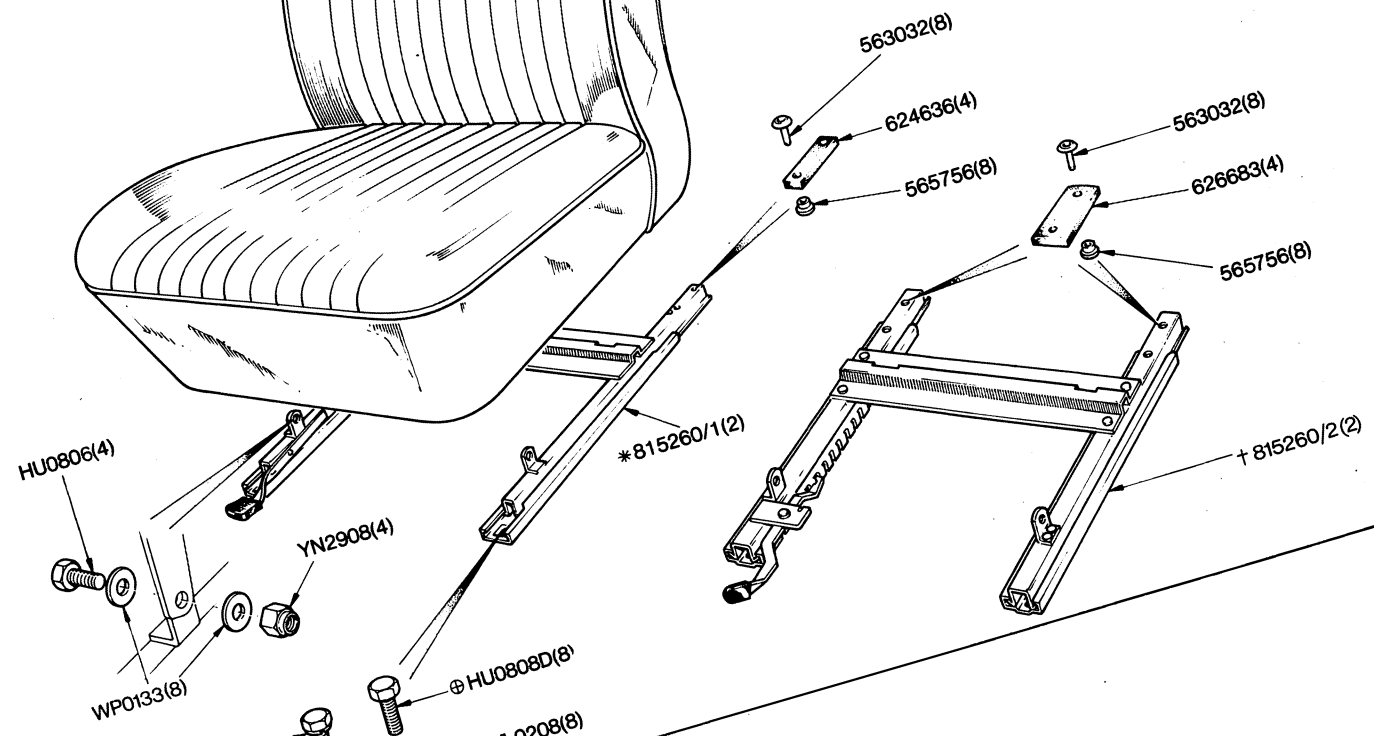
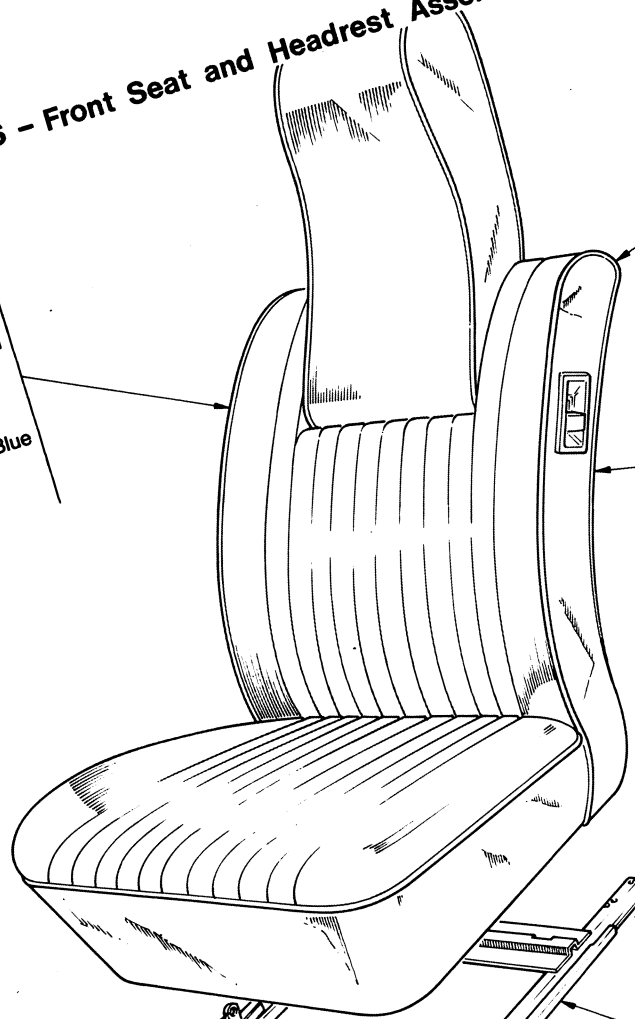
B1995/4

BODY AND FITTINGS - Front Seat and Headrest Assembly, Seat Slides

- LEATHERCLOTH
- 911341 R.H. Black
 - 911331 L.H. Matador Red
 - 911342 R.H. New Tan
 - 911332 L.H. Shadow Blue
 - 911343 R.H. Grey
 - 911333 L.H.
 - 911347 R.H.
 - 911337 L.H.
 - 911348 R.H.
 - 911338 L.H.

- LEATHER
- 911361 R.H. Black
 - 911351 L.H. Matador Red
 - 911362 R.H. New Tan
 - 911352 L.H. Shadow Blue
 - 911363 R.H. Grey
 - 911353 L.H.
 - 911367 R.H.
 - 911357 L.H.
 - 911368 R.H.
 - 911358 L.H.

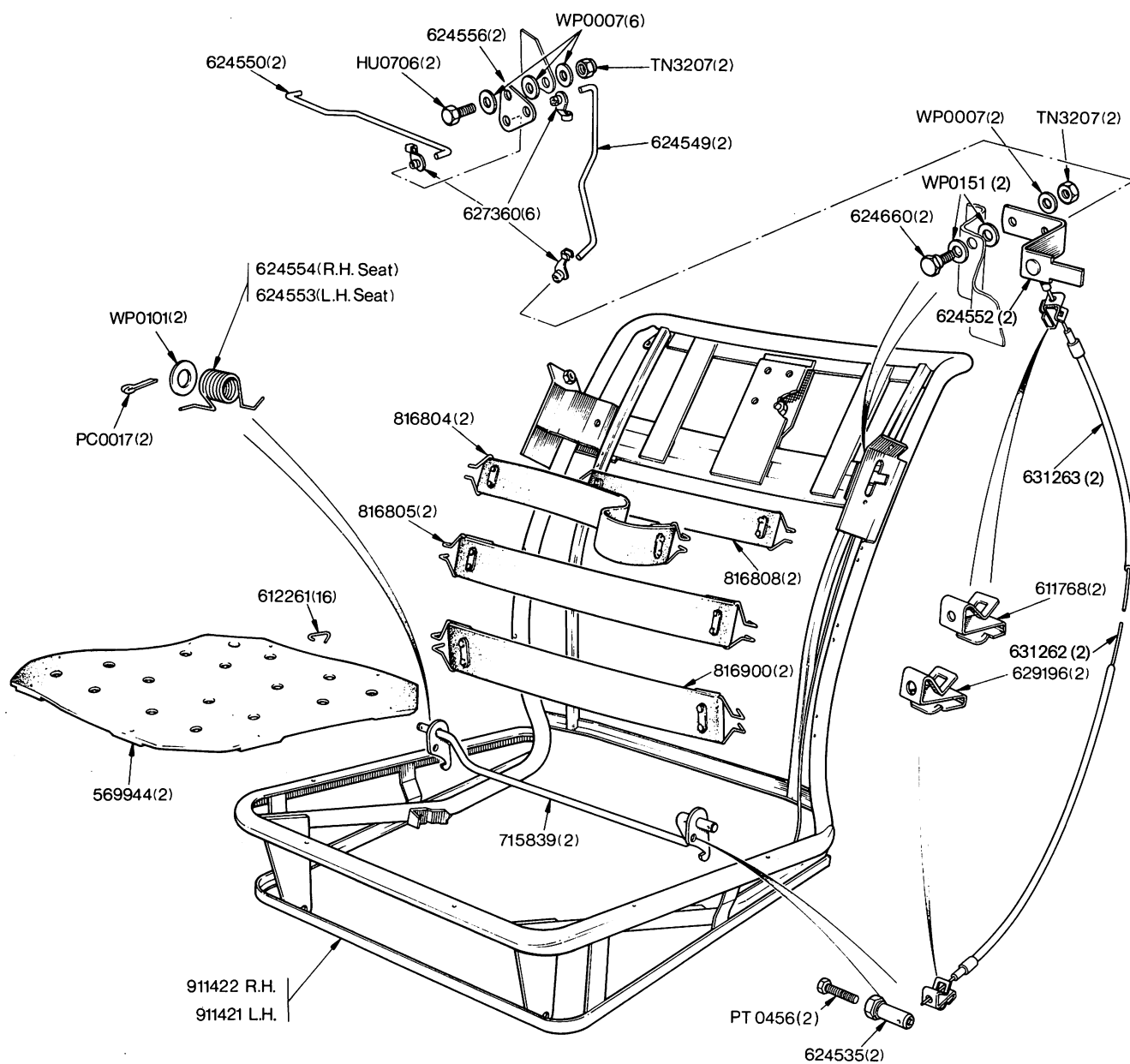
- CLOTH
- 911381 R.H. Black
 - 911371 L.H. Matador Red
 - 911382 R.H. New Tan
 - 911372 L.H. Shadow Blue
 - 911383 R.H. Grey
 - 911373 L.H.
 - 911387 R.H.
 - 911377 L.H.
 - 911388 R.H.
 - 911378 L.H.



NOTE.
 Items marked thus ⊕ are alternative to items marked thus ●
 Items marked thus + are alternative to items marked thus *
 For Seat details see Plates T33, T34, T35.

TOLEDO (2 DOOR SPECIAL ORDER) PLATE T32 (09-11)

BODY AND FITTINGS - Seat Frame Details



TOLEDO (2 DOOR SPECIAL ORDER)

PLATE T33(09-12)

B1997/4

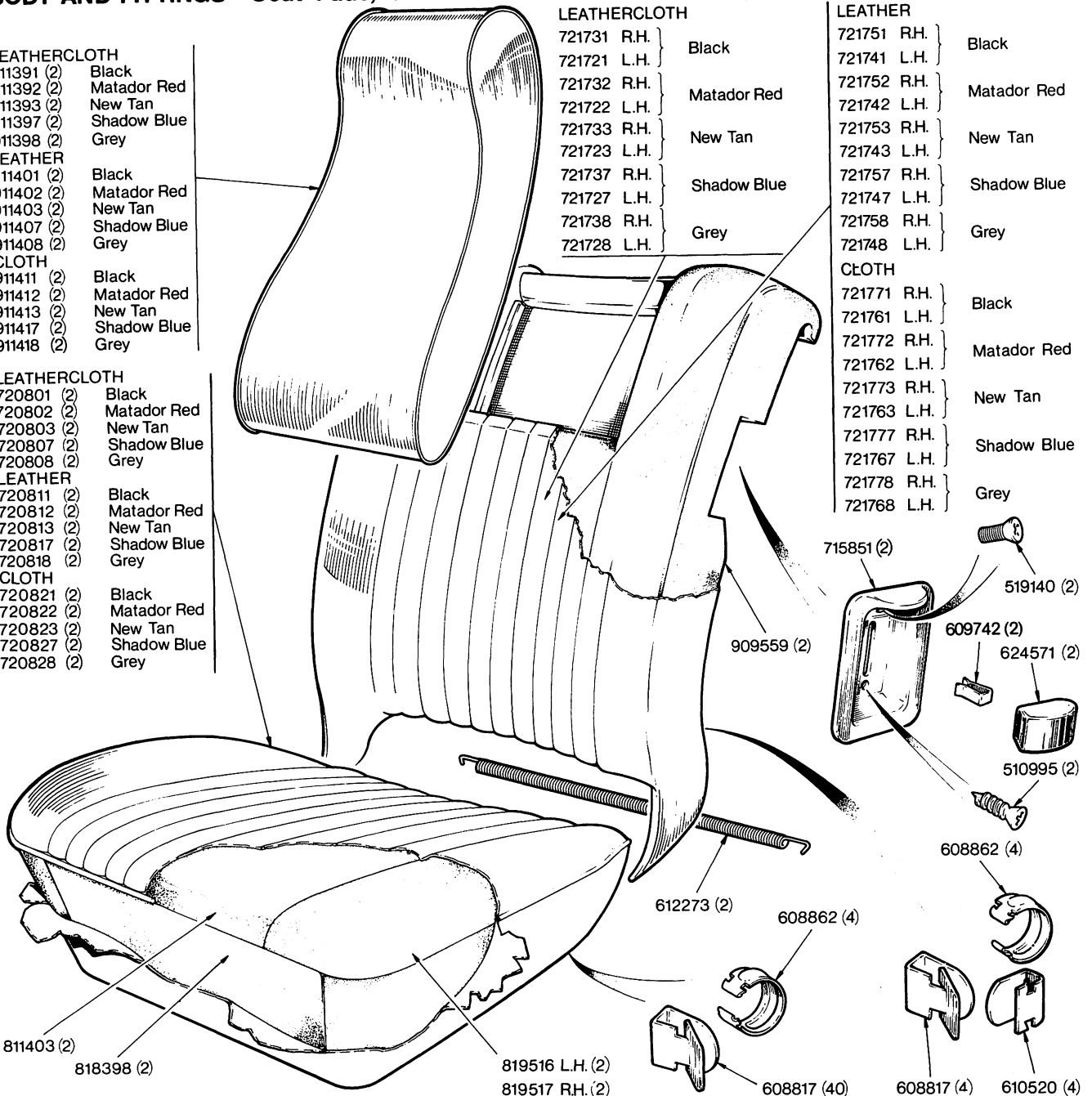
BODY AND FITTINGS - Seat Pads, Covers and Headrest Assembly

- LEATHERCLOTH**
 911391 (2) Black
 911392 (2) Matador Red
 911393 (2) New Tan
 911397 (2) Shadow Blue
 911398 (2) Grey
LEATHER
 911401 (2) Black
 911402 (2) Matador Red
 911403 (2) New Tan
 911407 (2) Shadow Blue
 911408 (2) Grey
CLOTH
 911411 (2) Black
 911412 (2) Matador Red
 911413 (2) New Tan
 911417 (2) Shadow Blue
 911418 (2) Grey

- LEATHERCLOTH**
 720801 (2) Black
 720802 (2) Matador Red
 720803 (2) New Tan
 720807 (2) Shadow Blue
 720808 (2) Grey
LEATHER
 720811 (2) Black
 720812 (2) Matador Red
 720813 (2) New Tan
 720817 (2) Shadow Blue
 720818 (2) Grey
CLOTH
 720821 (2) Black
 720822 (2) Matador Red
 720823 (2) New Tan
 720827 (2) Shadow Blue
 720828 (2) Grey

- LEATHERCLOTH**
 721731 R.H. } Black
 721721 L.H. }
 721732 R.H. } Matador Red
 721722 L.H. }
 721733 R.H. } New Tan
 721723 L.H. }
 721737 R.H. } Shadow Blue
 721727 L.H. }
 721738 R.H. } Grey
 721728 L.H. }

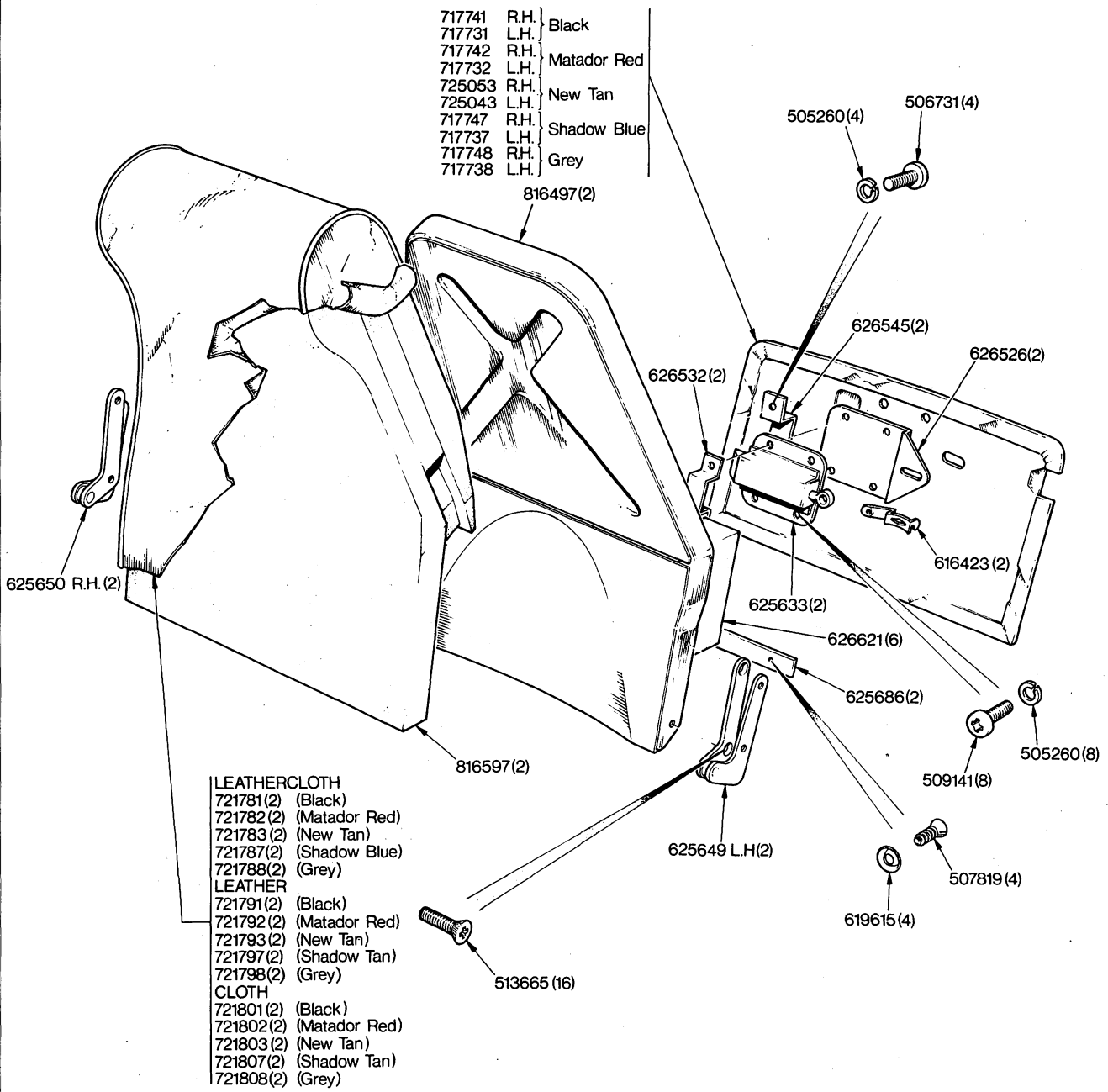
- LEATHER**
 721751 R.H. } Black
 721741 L.H. }
 721752 R.H. } Matador Red
 721742 L.H. }
 721753 R.H. } New Tan
 721743 L.H. }
 721757 R.H. } Shadow Blue
 721747 L.H. }
 721758 R.H. } Grey
 721748 L.H. }
CLOTH
 721771 R.H. } Black
 721761 L.H. }
 721772 R.H. } Matador Red
 721762 L.H. }
 721773 R.H. } New Tan
 721763 L.H. }
 721777 R.H. } Shadow Blue
 721767 L.H. }
 721778 R.H. } Grey
 721768 L.H. }



NOTE
 For Headrest details see Plate T35

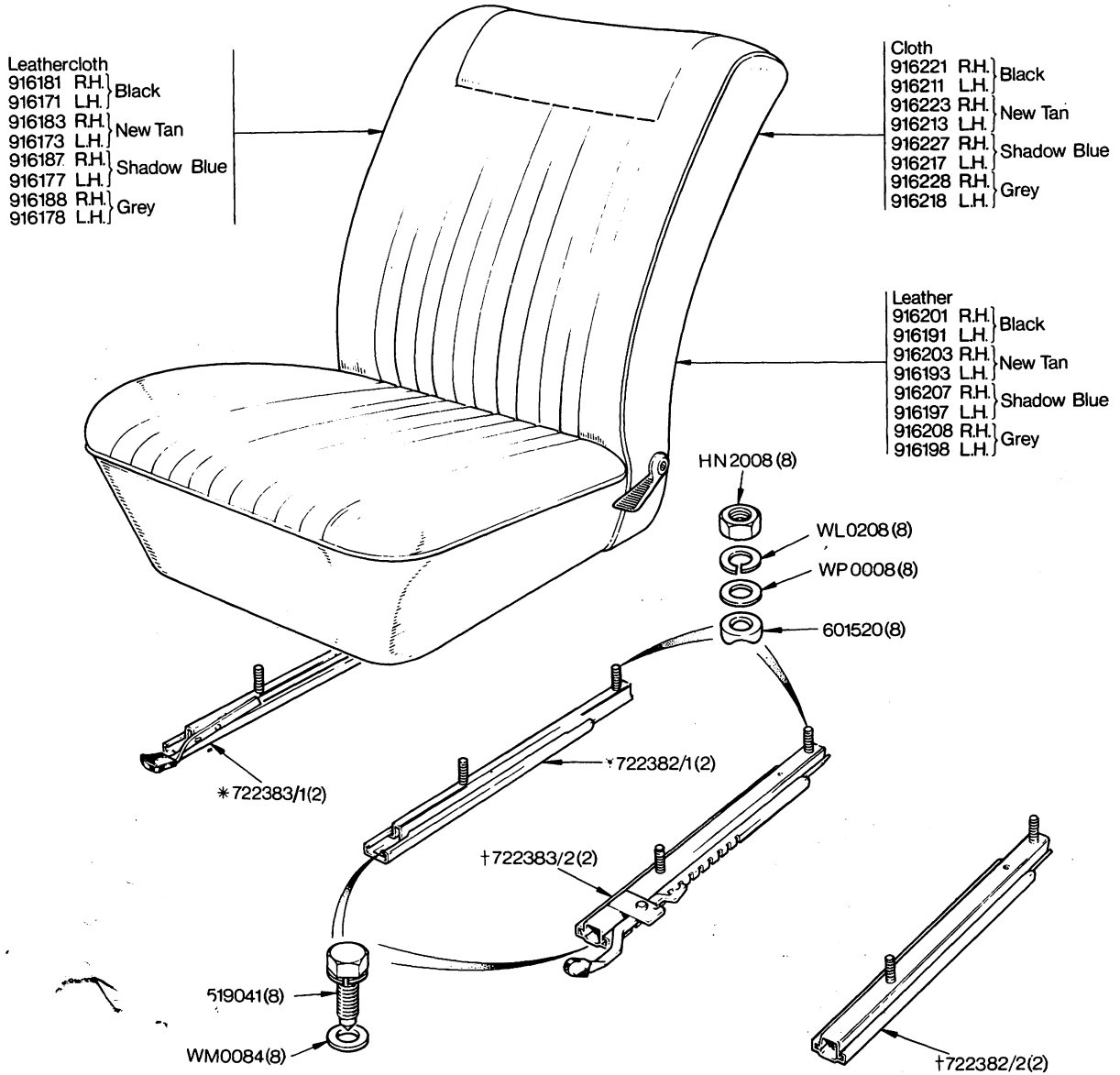
BODY AND FITTINGS - Head Rest Details

- 717741 R.H. | Black
- 717731 L.H. |
- 717742 R.H. | Matador Red
- 717732 L.H. |
- 725053 R.H. | New Tan
- 725043 L.H. |
- 717747 R.H. | Shadow Blue
- 717737 L.H. |
- 717748 R.H. | Grey
- 717738 L.H. |



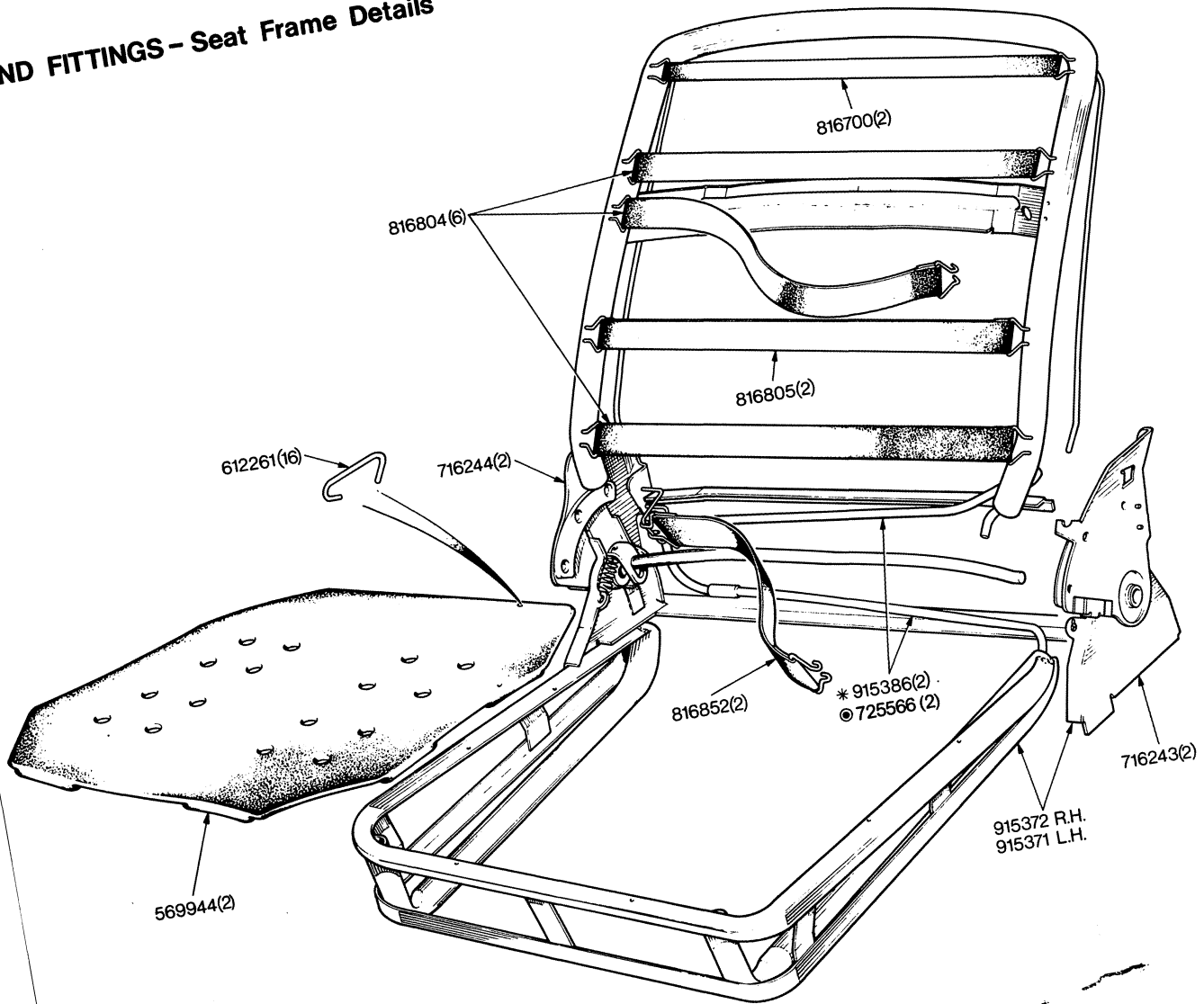
- LEATHERCLOTH
- 721781(2) (Black)
- 721782(2) (Matador Red)
- 721783(2) (New Tan)
- 721787(2) (Shadow Blue)
- 721788(2) (Grey)
- LEATHER
- 721791(2) (Black)
- 721792(2) (Matador Red)
- 721793(2) (New Tan)
- 721797(2) (Shadow Tan)
- 721798(2) (Grey)
- CLOTH
- 721801(2) (Black)
- 721802(2) (Matador Red)
- 721803(2) (New Tan)
- 721807(2) (Shadow Tan)
- 721808(2) (Grey)

BODY AND FITTINGS—Front Seat Assembly and Seat Slides



NOTE.
 * Alternative to items marked † in sets only
 For Seat breakdown details see Plates T35B,T35C

BODY AND FITTINGS - Seat Frame Details



NOTE

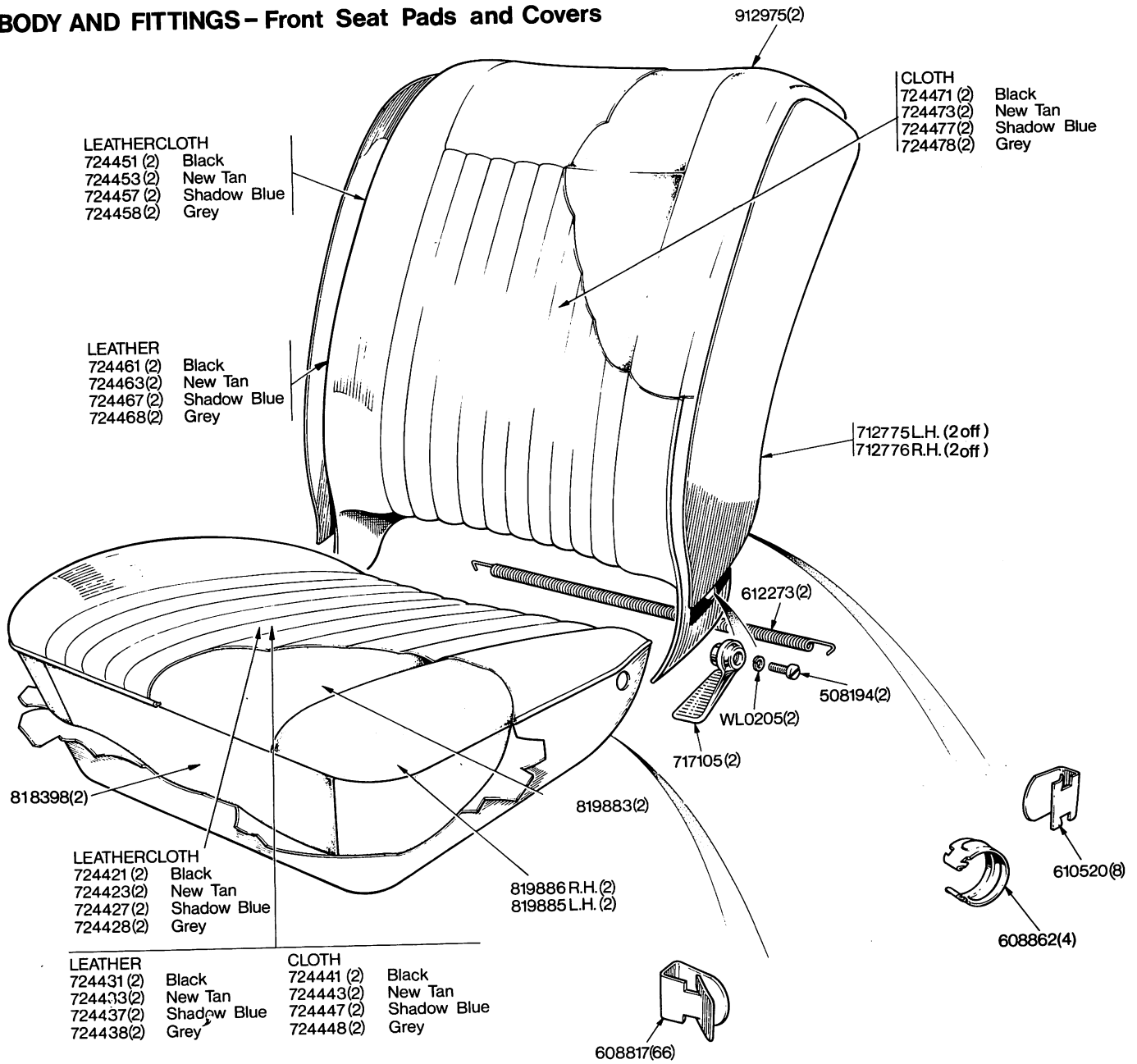
* Alternative fitment to ◎

TOLEDO 4 DOOR TWIN CARB.

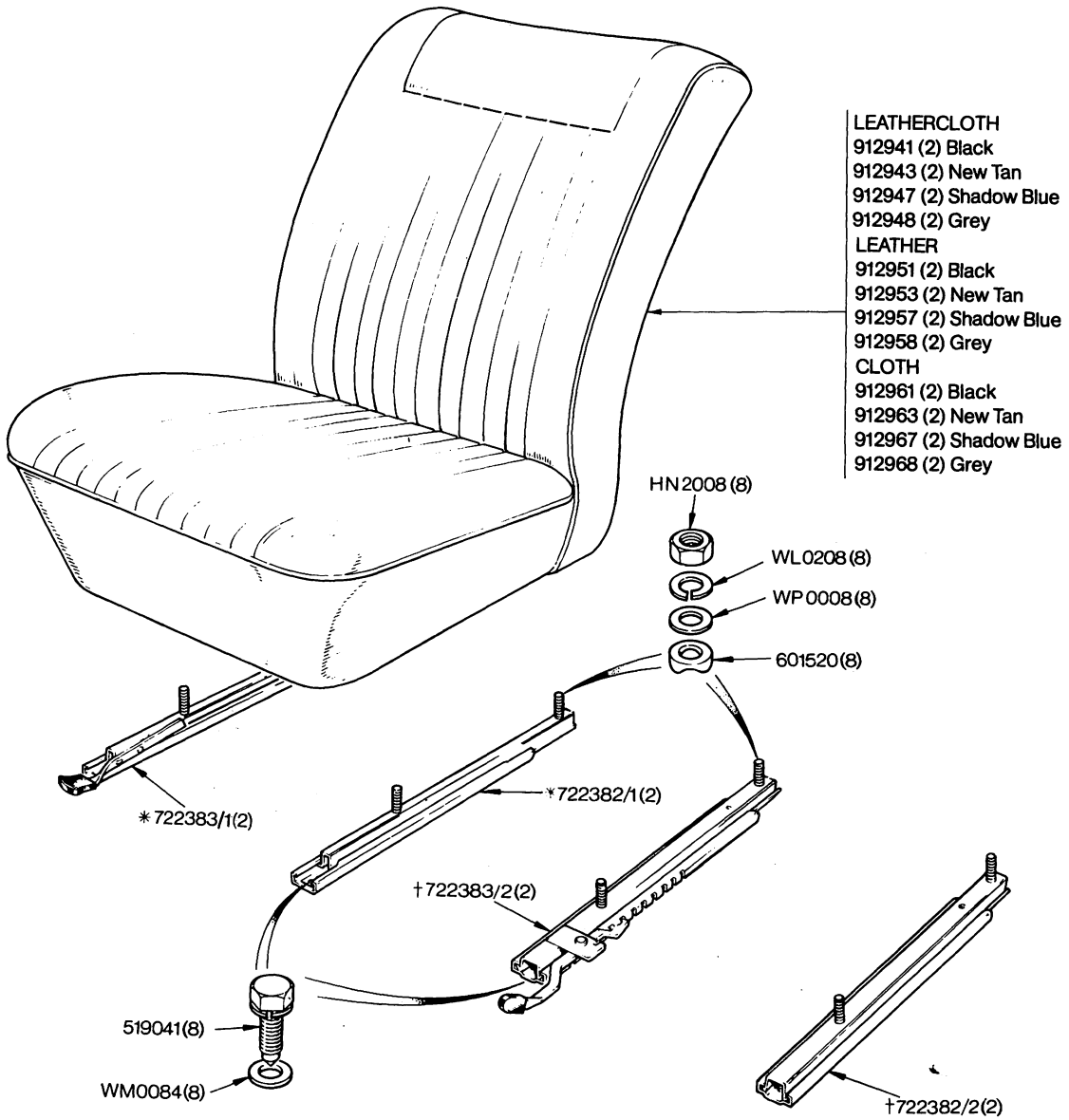
PLATE T35b (09-16)

B2247/3.

BODY AND FITTINGS - Front Seat Pads and Covers



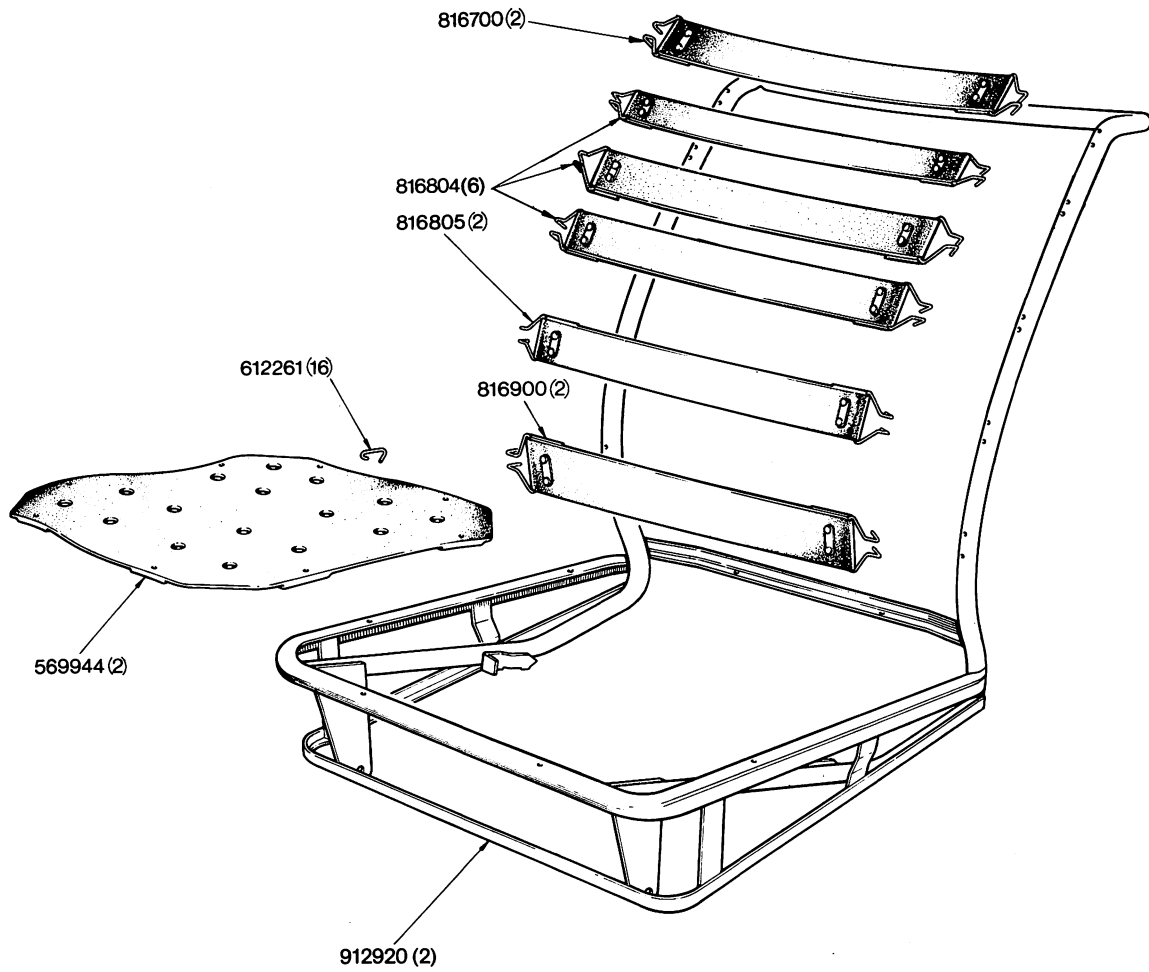
BODY AND FITTINGS – Front Seat Assembly and Seat Slides



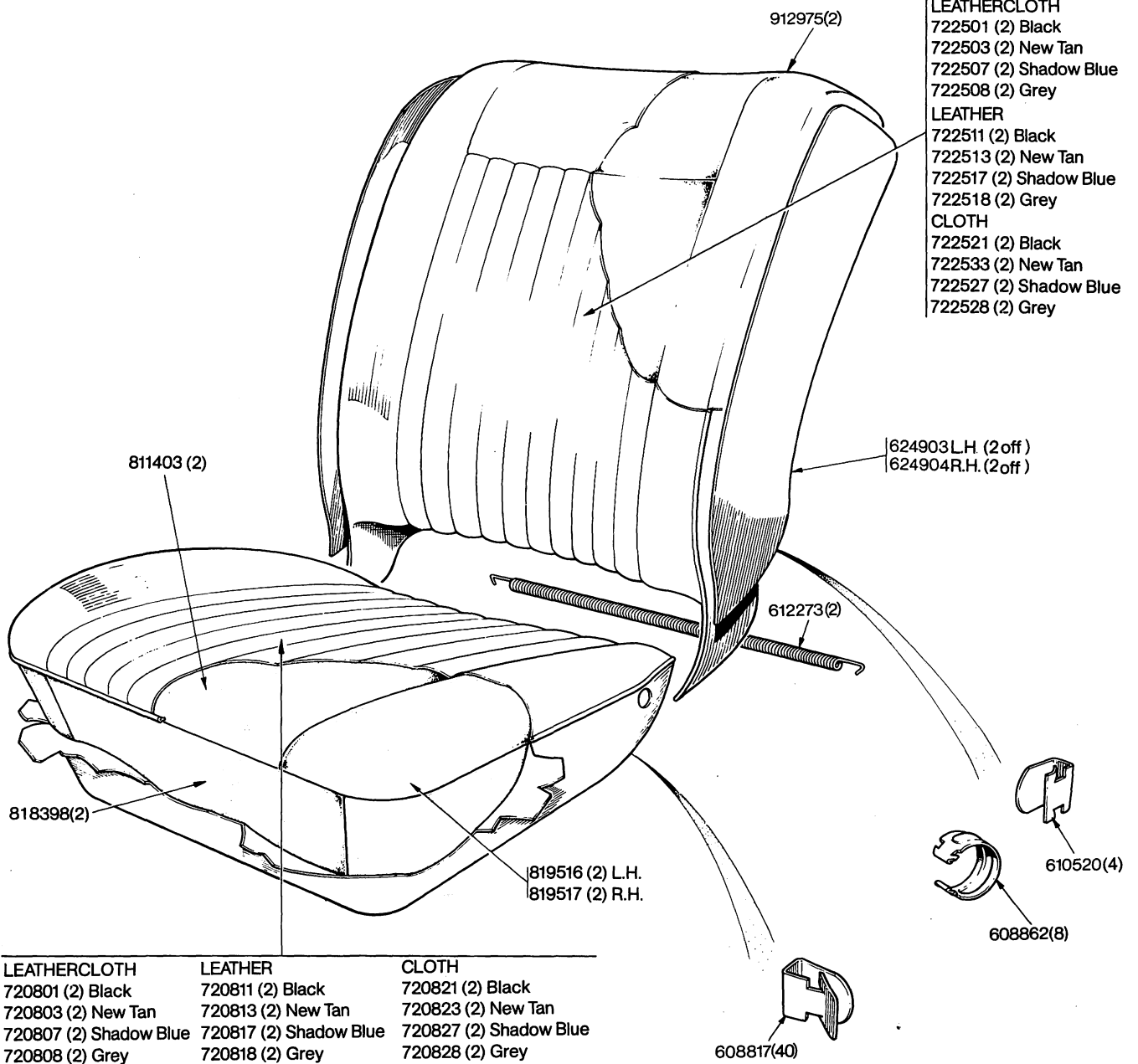
NOTE.

* Chapman type } Alternative in sets only
 † Cox type }
 For Seat breakdown details see Plates T35E T35F

BODY AND FITTINGS – Seat Frame, Diaphragm and Straps



BODY AND FITTINGS - Front Seat Pads and Covers

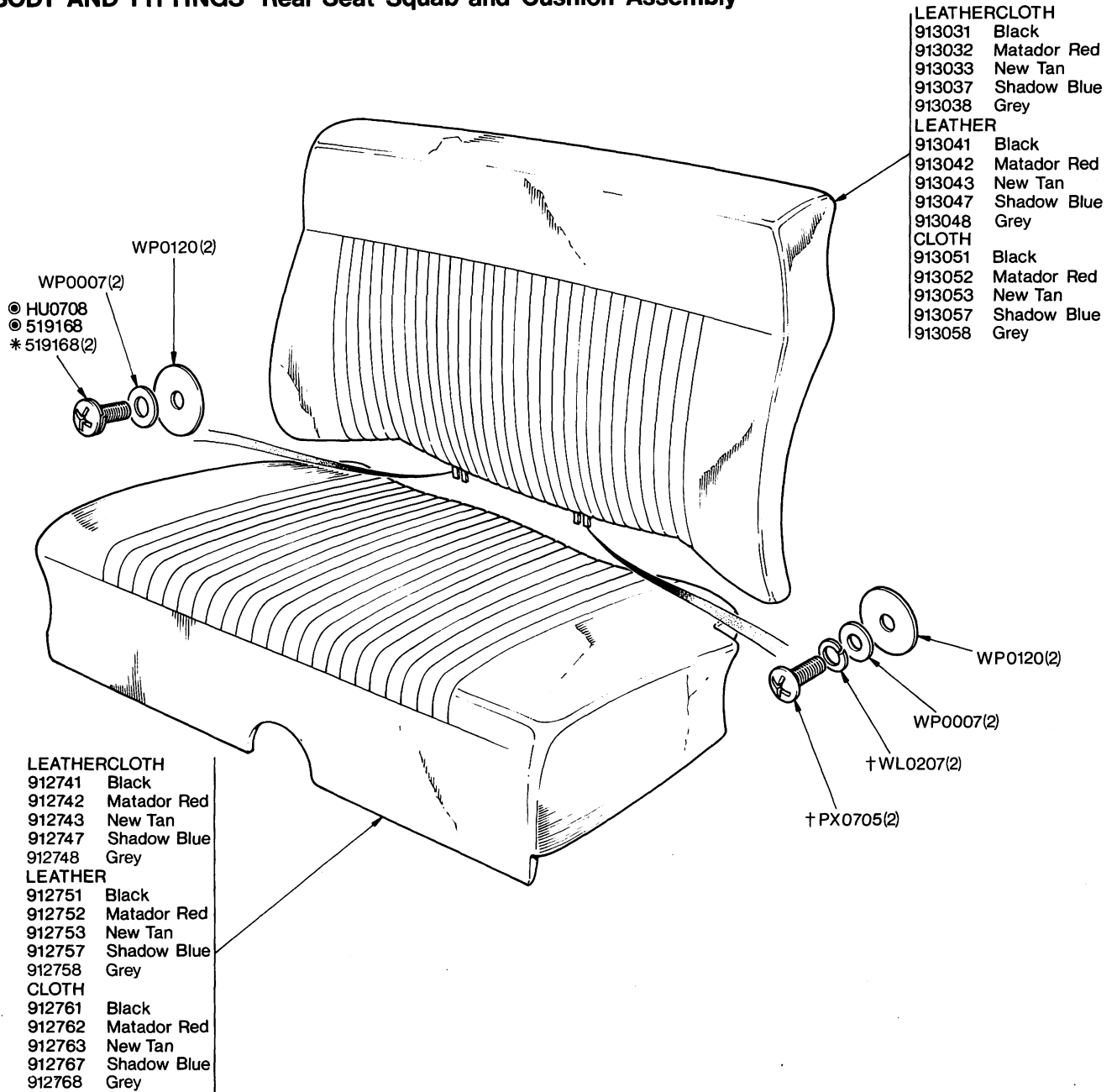


TOLEDO 4 Door Single Carb

PLATE T35f (09-20)

B2675

BODY AND FITTINGS-Rear Seat Squab and Cushion Assembly



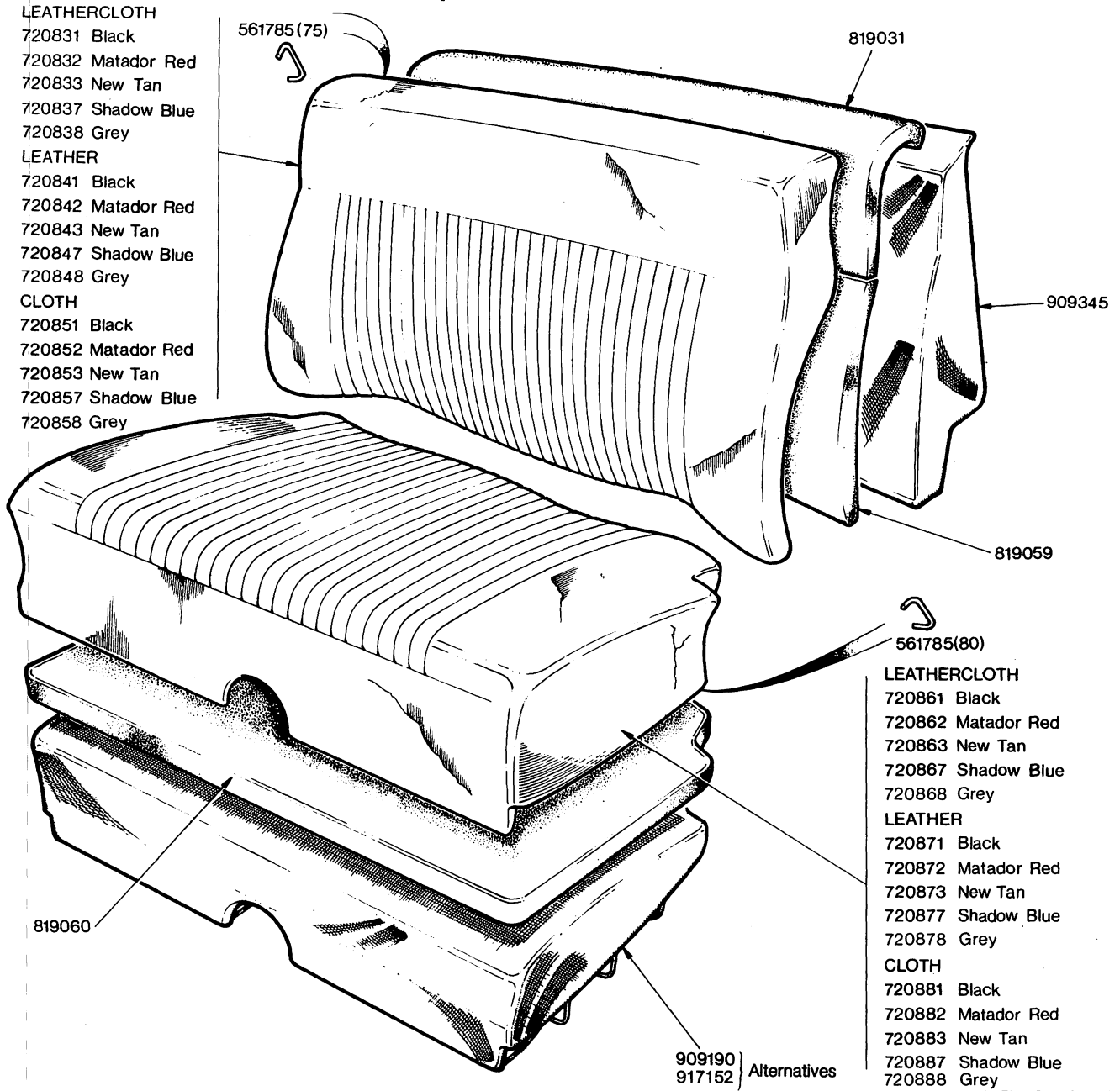
NOTE.

For Cushion and Squab details see Plate T37.

* Alternative to details marked thus †

● Denmark only

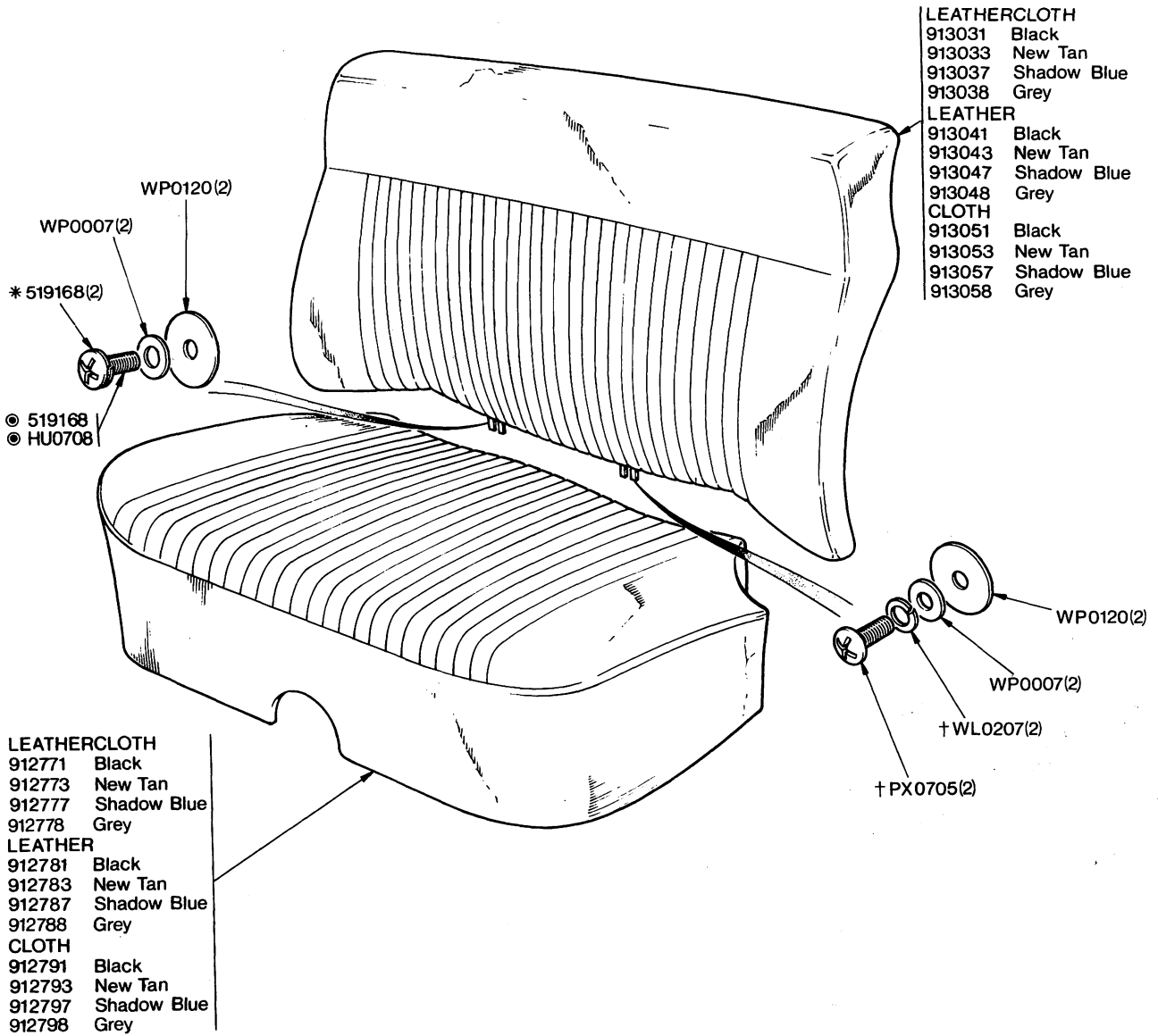
BODY AND FITTINGS – Rear Seat Squab and Cushion Details



NOTE

TOLEDO 2DOOR PLATE T37 (09-22) B2001/4

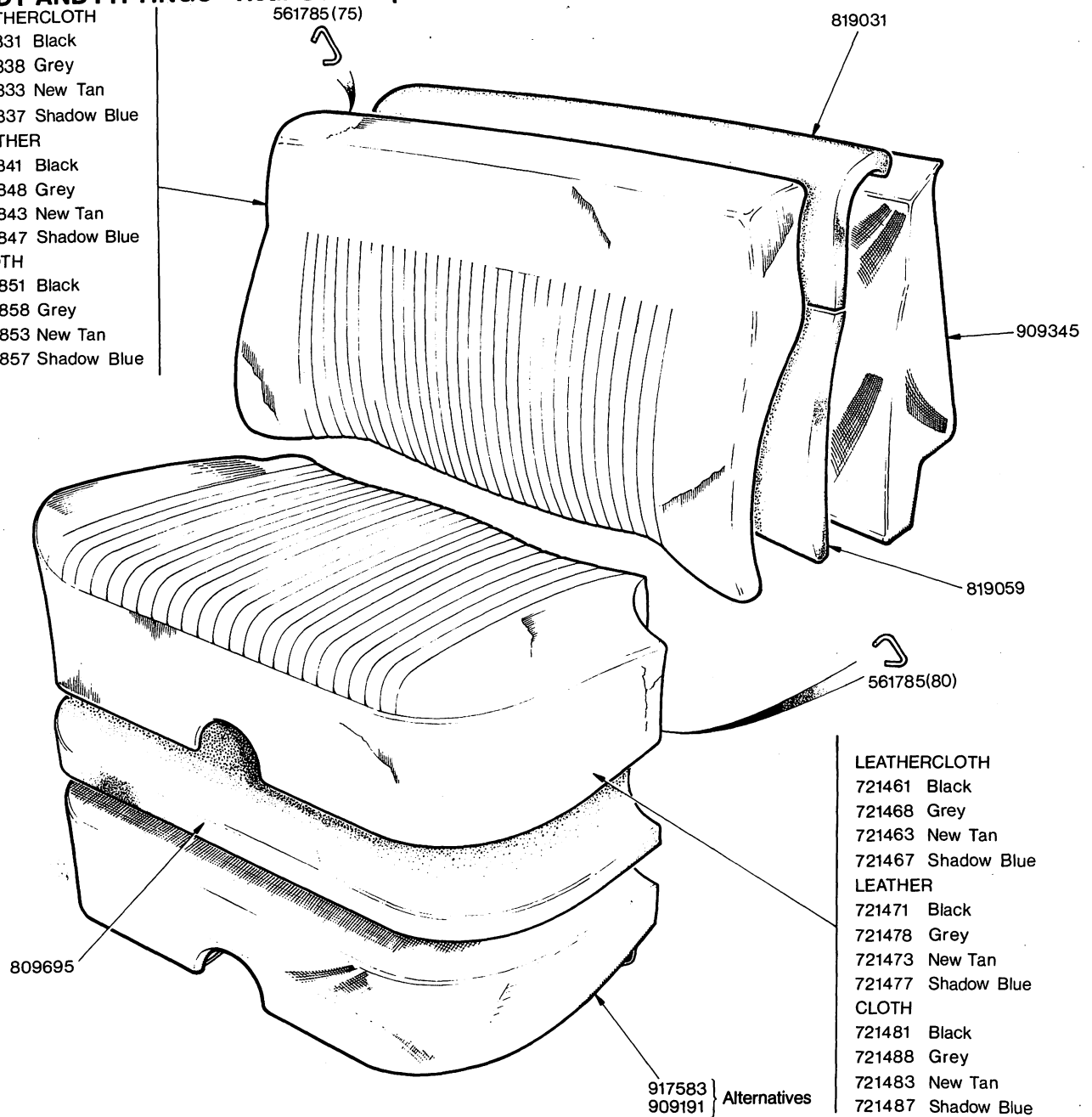
BODY AND FITTINGS-Rear Seat Squab and Cushion Assembly



NOTE.
 For Cushion and Squab details see Plate T39.
 * Alternative to details marked thus †
 © Denmark only

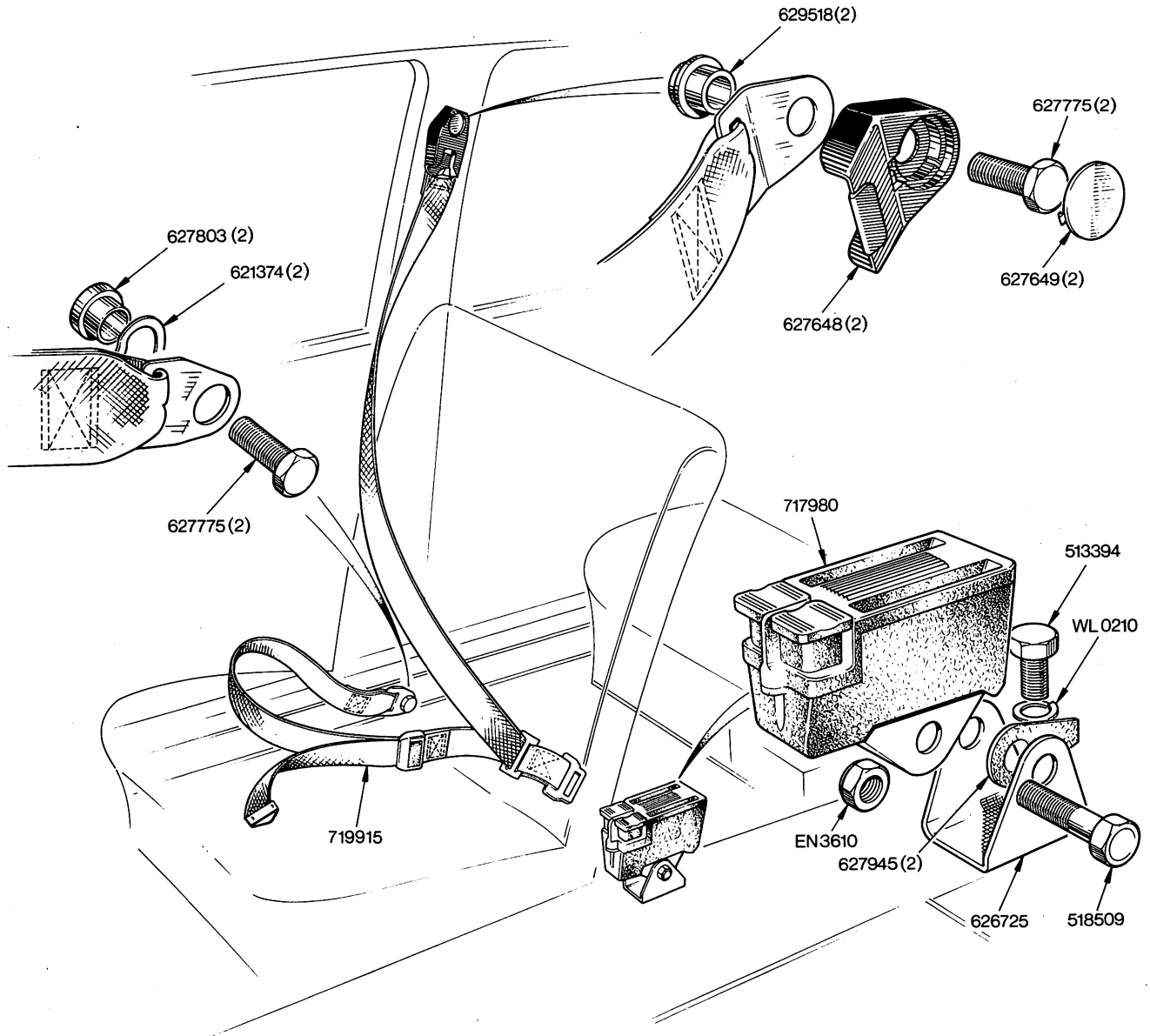
BODY AND FITTINGS - Rear Seat Squab and Cushion Details

- LEATHERCLOTH
- 720831 Black
- 720838 Grey
- 720833 New Tan
- 720837 Shadow Blue
- LEATHER
- 720841 Black
- 720848 Grey
- 720843 New Tan
- 720847 Shadow Blue
- CLOTH
- 720851 Black
- 720858 Grey
- 720853 New Tan
- 720857 Shadow Blue

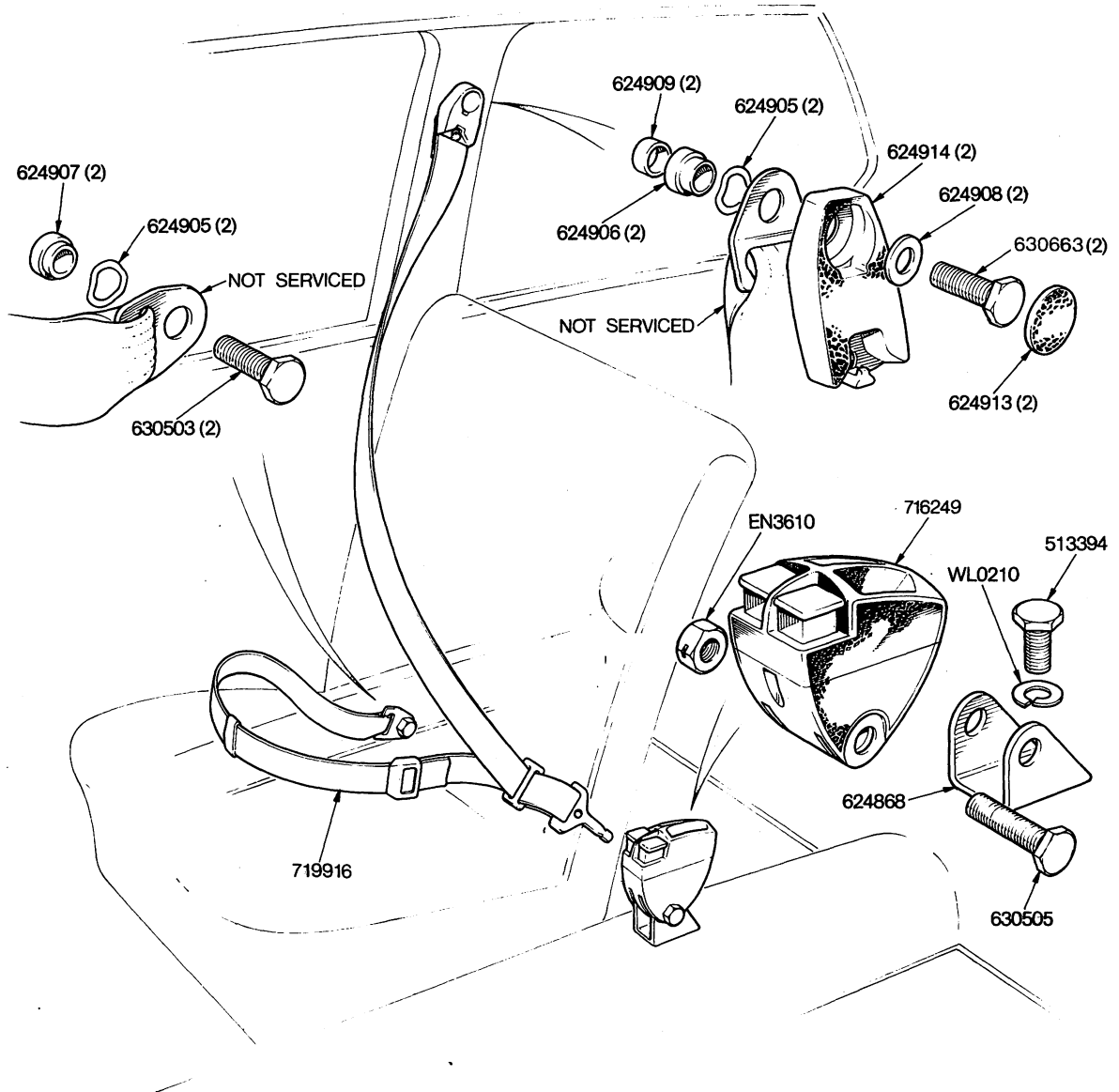


- LEATHERCLOTH
- 721461 Black
- 721468 Grey
- 721463 New Tan
- 721467 Shadow Blue
- LEATHER
- 721471 Black
- 721478 Grey
- 721473 New Tan
- 721477 Shadow Blue
- CLOTH
- 721481 Black
- 721488 Grey
- 721483 New Tan
- 721487 Shadow Blue

BODY AND FITTINGS - Safety Harness (Britax)



NOTE.
719914 Safety Harness Kit. (Britax) Comprising all details on this Plate
(See Plate No T41 for alternative Kangol fitment)



NOTE
719914 Safety Harness Kit (Kangol) comprising all items above
See Plate No. T40 for alternative Britax fitment

MISCELLANEOUS BODY FITTINGS

Part No.	Description	No. per Unit	Remarks
BLANKING PLUG DETAILS			
609185	Blanking plug-choke control surplus holes in dash	2	
609185	Blanking plug-wiper/washer dash holes	3	
630065	Sealing plug-redundant battery earth weld nut on R.H. side engine bay valance	1	
630065	Sealing plug-redundant weld nut on L.H. turret of R.H.S. vehicles and R.H. turret of L.H.S. vehicles	1	
CD22869	Sealing plug-redundant battery fixing rod holes on R.H. side engine bay valance	2	
630066	Sealing plug-redundant radiator overflow bottle fixing on L.H. side engine bay valance	2	
607330	Sealing plug-overflow bottle pipe plunged hole on L.H. side engine bay valance	1	
600399	Blanking plug-access holes to shearhead bolts on STG columm clamp in parcel tray	2	
625944	Sealing plate-(paint drainage) main floor	2	
625944	Sealing plate-(paint drainage) luggage floor	1	
600400	Plug - (paint drainage)	1½''-main floor	2
600399		1'' -main floor	6
609189		7/8''-main floor	2
609185		½'' - main floor	5
600399		1'' -rear seat pan	4
617081		7/6''-rear seat pan	6
609191		11/32''-rear seat pan	2
609185		½'' -dash front (passengers side)	4
CD22869		inner sill	3
609185		½'' -inner sill (bottom)	12
617081		7/16'' -inner sill (body handling nuts)	4
609184		bottom of 'A' post	2
600400		Blanking plug - redundant hole in boot floor	1
603556		Rubber plug - redundant prop shaft guard strap attachment holes	4

MISCELLANEOUS BODY FITTINGS

Part No.	Description	No. per Unit	Remarks
	TOUCH IN PAINT DETAILS (¼ PINT CANS)		
GTU.278	SAPPHIRE BLUE	1	
GTU.154	SIGNAL RED	1	
GTU.153	WHITE	1	
GTU.156	WEDGWOOD BLUE	1	
GTU.157	ROYAL BLUE	1	
GTU.166	VALENCIA BLUE	1	
GTU.167	DAMSON	1	
GTU.164	SLATE GREY	1	
GTU.163	LAUREL GREEN	1	
GTU.161	SIENNA BROWN	1	
GTU.276	SAFFRON	1	
GTU.277	PIMENTO	1	
GTU.281	EMERALD GREEN	1	
GTU.282	MALLARD	1	
GTU.283	ICE BLUE	1	
CD.31568	PORCELAIN(CERAMIC) FOR ROAD WHEELS	1	
520111	Continental Touring Kit	1	Fitted up to Engine Number DG.25000E, DM.5000E, DS.5000E only
520923	Continental Touring Kit	1	Fitted from Engine Numbers DG.25001E, DM.5001E, DS.5001E and future
519510	Fan Belt/Hose Kit	1	
217674	Tow Bar Kit	1	Special Orders

LITHOGRAPHED IN ENGLAND BY
THE NUFFIELD PRESS LIMITED
COWLEY, OXFORD

27/x (84695) 4/73—3m.